















EXCEL | MATE CC (Charging Coupler)

www.amphenolpcd.com.cn

HIGHPOWER @ AMPHENOL
TRUSTED GLOBALLY

PRODUCTS INTRODUCTION.....	3
HPC CCS1.....	4
HPC CCS2.....	6
MCS VEHICLE CONNECTOR.....	9
MCS INLET.....	11
IEC TYPE 2 AC FOR EV AND EVSE.....	13
IEC COMBO.....	20
IEC COMBO VEHICLE INLET.....	21
IEC COMBO VEHICLE CONNECTOR.....	25
SAE TYPE1 AC.....	28
NACS AC VEHICLE CONNECTOR.....	31
NACS DC VEHICLE CONNECTOR.....	33
NACS INLET.....	35
SAE COMBO.....	39
SAE COMBO WALL-MOUNTING.....	44
CCS1 VEHICLE INLET VERSION A.....	48
CCS1 VEHICLE INLET VERSION B.....	54
CABLE HARNESS.....	58

PRODUCTS INTRODUCTION

EV Plug / Vehicle Connector													
REGION	EU			•	•	•						•	•
	US	•	•				•	•	•	•	•		
NAME		CCS1 HPC	NACS DC	CCS2 HPC	CCS2 COMBO	CCS2 THIN HANDLE	MCS	CCS1 COMBO	CCS1 THIN HANDLE	EV TYPE 1 (Potting)	NACS AC	EV TYPE 2 (Potting)	EV TYPE 2
RATED VOLTAGE (Max.)		1000V DC	1000V DC	1000V DC	1000V DC	1000V DC	1500V DC	1000V DC	1000V DC	240V AC	600V AC	480V AC	480V AC
RATED CURRENT	16A												
	20A											•	•
	32A									•		•	•
	40A					•			•		•		
	48A												
	50A									•	•		
	65A				•	•		•	•				
	80A					•			•	•	•		
	125A				•				•				
	150A				•				•				
	200A		•		•				•				
	250A		•		•				•				
	300A				•				•				
	350A						•		•				
	380A		375A		•								
	400A								•				
500A 600A	•	•	•										
1500A							•						
PROTECTION DEGREE		TYPE 3S TYPE 3R IP69	TYPE 3S IP69	IP67 IP69	IP67 IP69	IP55 (mated)	IP67 IP69	TYPE 3S TYPE 3R IP69	TYPE 3S	TYPE 3S	TYPE 3S	IP67 IP69	IP67 IP69
TOUCH-PROOF		IP2XB	IP2XB	IP2XB	IP2XB	IP2XB	IP2XB	IP2XB	IP2XB	IP2XB	IP2XB	IP2XB	IP2XB
CERTIFICATION	CE			•	•	•		•				•	•
	EN17186			•	•							•	•
	EV READY											•	
	UKCA			•	•							•	•
	UL	•						•	•	•			
CABLE RANGE (Power)		2 (AWG)	2x3 to 2x1/0	25 to 35 (mm ²)	16 to 100 (mm ²)	6 to 16 (mm ²)	2x35 to 2x50mm ²	8 to 2x1/0 (AWG)	10 to 6 (AWG)	10 to 6 (AWG)	10 to 6 (AWG)	2.5 to 6 (mm ²)	2.5 to 6 (mm ²)
AMBIENT TEMPERATURE		-30 to 50°C	-40 to 50°C	-30 to 50°C	-30 to 50°C	-30 to 50°C	-40 to 50°C	-40 to 55°C	-30 to 50°C	-30 to 50°C	-40 to 50°C	-30 to 50°C	-30 to 50°C

EXCEL|MATE HPC CCS1 - TECHNICAL CHARACTERISTICS



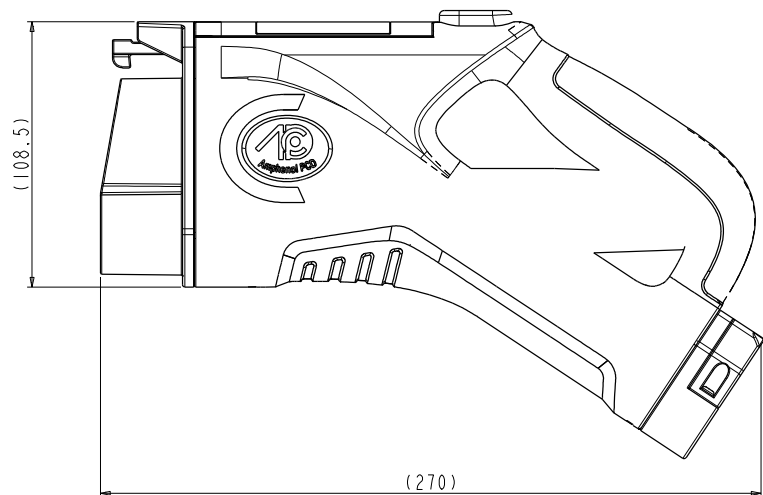
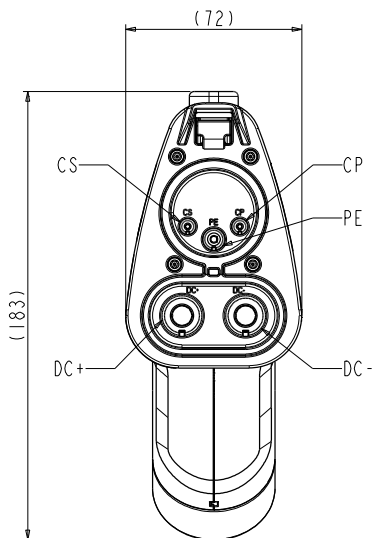
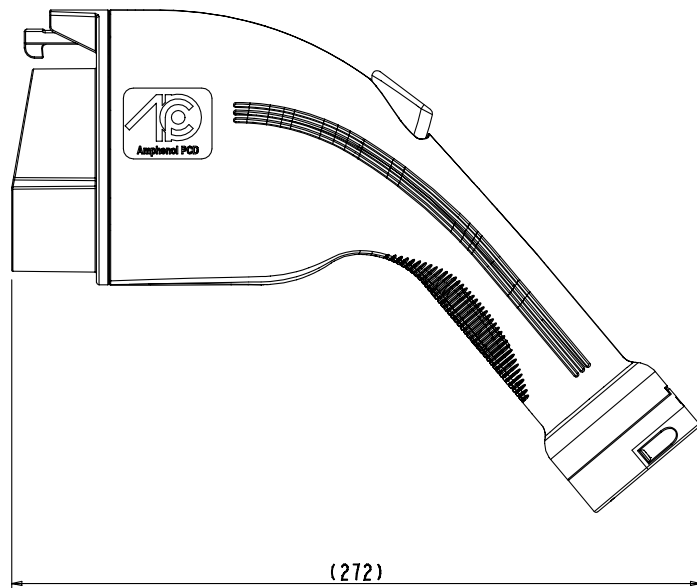
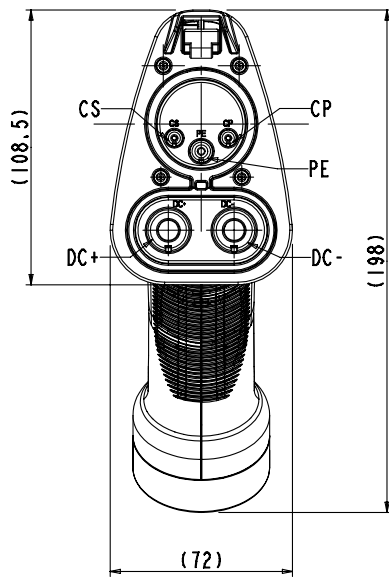
KEY FEATURES:

Compliant with:
SAE J1772
IEC 62196-3
UL2251

Cooling system:
2 feed pipes and 2 outlet pipes
Working pressure: 0 to 7bar

MECHANICAL	
Mating cycles	> 20,000 cycles (unloaded)
Insertion / withdrawal force	< 100N
ELECTRICAL	
Rated current	600A Max. 850A (Peak)
Rated voltage	1000V DC
Temperature sensor	PT1000 The two power contacts DC+ and DC- are monitored by temperature-dependent resistor sensors
ENVIRONMENTAL	
Protection degree	Type 3S IP69
Ambient temperature	-30°C to 50°C
MATERIAL	
Shell	Thermoplastic
Contact	Copper alloy
Inserts	Thermoplastic
Sealing gasket	Rubber or silicon rubber
Insulator inflammability	UL94V0

HPC CCS1 VEHICLE CONNECTOR DIMENSIONS



HPC CCS1 VEHICLE CONNECTOR - PART NUMBERS

P/N	Rated current
HVCO11002 (without handle)	600A
HVCO11012 (with handle)	600A

EXCELMATE HPC CCS2 WITHOUT HANDLE - TECHNICAL CHARACTERISTICS



KEY FEATURES:

Compliant with:
IEC 62196-2
IEC 62196-3

Cooling system:
1 feed pipe and 2 outlet pipes
Working pressure: 0 to 7bar

MECHANICAL	
Mating cycles	> 10,000 cycles (unloaded)
Insertion / withdrawal force	< 100N
ELECTRICAL	
Rated current	600A Max.
Rated voltage	1000V DC
Temperature sensor	PT1000 The two power contacts DC+ and DC- are monitored by temperature-dependent resistor sensors
ENVIRONMENTAL	
Protection degree	IP67 Enclosure, IP69
Ambient temperature	-30°C to 50°C
MATERIAL	
Shell	Thermoplastic
Contact	Copper alloy
Inserts	Thermoplastic
Sealing gasket	Rubber or silicon rubber
Insulator inflammability	UL94V0

EXCELMATE HPC CCS2 WITH HANDLE - TECHNICAL CHARACTERISTICS



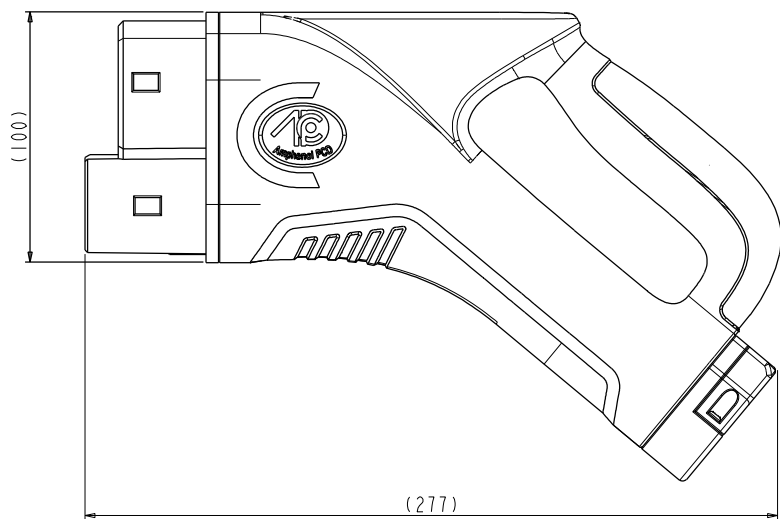
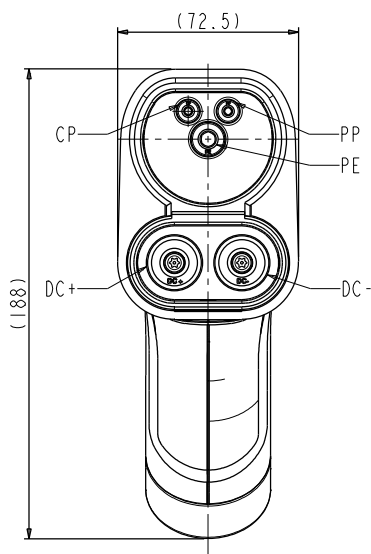
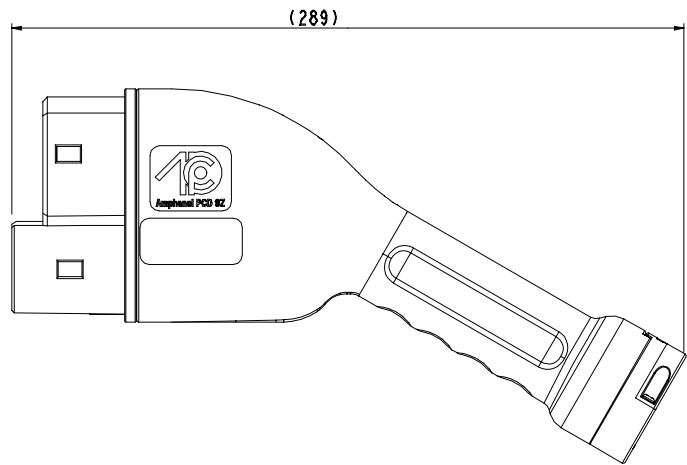
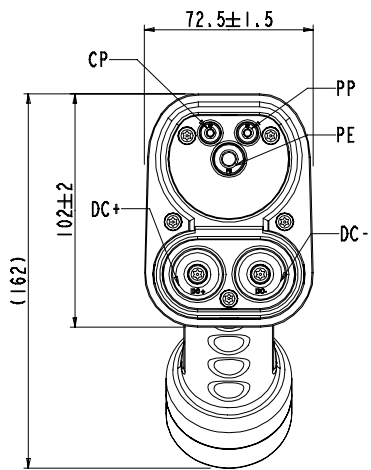
KEY FEATURES:

Compliant with:
IEC 62196-2
IEC 62196-3

Cooling system:
2 feed pipes and 2 outlet pipes
Working pressure: 0 to 7bar

MECHANICAL	
Mating cycles	> 10,000 cycles (unloaded)
Insertion / withdrawal force	< 100N
ELECTRICAL	
Rated current	500A (Rated current CE qualified) 600A Max. (Internal test passed) 850A (Peak)
Rated voltage	1000V DC
Temperature sensor	PT1000 The two power contacts DC+ and DC- are monitored by temperature-dependent resistor sensors
ENVIRONMENTAL	
Protection degree	IP67 Enclosure, IP69
Ambient temperature	-30°C to 50°C
MATERIAL	
Shell	Thermoplastic
Contact	Copper alloy
Inserts	Thermoplastic
Sealing gasket	Rubber or silicon rubber
Insulator inflammability	UL94V0

HPC CCS2 VEHICLE CONNECTOR DIMENSIONS



HPC CCS2 VEHICLE CONNECTOR - CIRCUIT DIAGRAM

P/N	Rated current
HVCO21001 (without handle)	600A
HVCO21011 (with handle)	600A



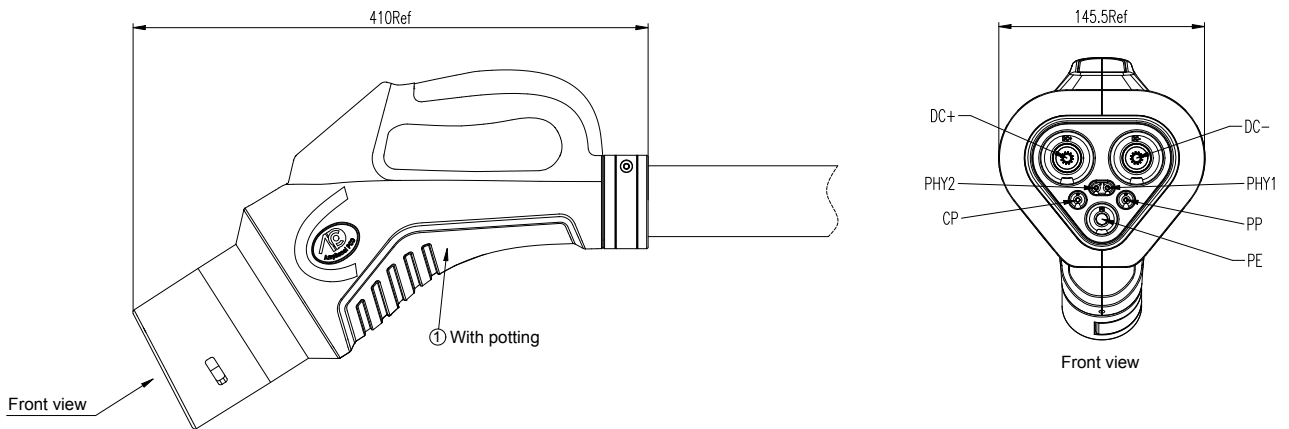
KEY FEATURES:

Compliant with:
IEC TS 63379
IEC 61851-23-3

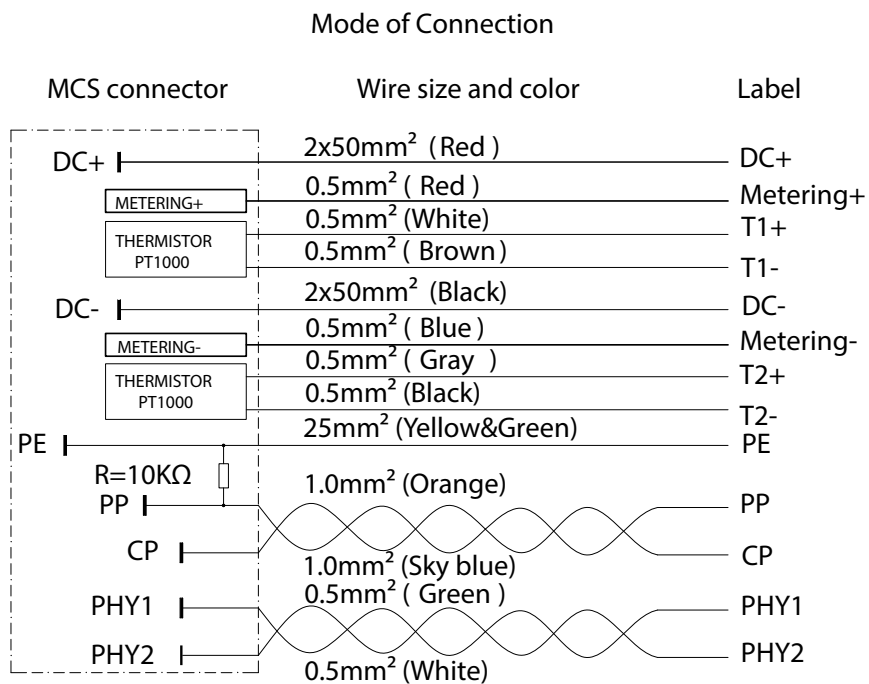
Cooling system:
1 feed pipe and 2 outlet pipes
Working pressure: 0 to 7bar

MECHANICAL	
Mating cycles	> 20,000 cycles (unloaded)
Insertion / withdrawal force	< 100N
ELECTRICAL	
Rated current	350A, 1500A
Rated voltage	1500V DC
ENVIRONMENTAL	
Protection degree	IP67, IP69
Ambient temperature	-40°C to 50°C
MATERIAL	
Shell	Thermoplastic
Contact	Copper alloy
Inserts	Thermoplastic
Sealing gasket	Rubber or silicon rubber
Insulator inflammability	UL94V0

MCS VEHICLE CONNECTOR DIMENSIONS



MCS VEHICLE CONNECTOR - CIRCUIT DIAGRAM



MCS VEHICLE CONNECTOR - PART NUMBER

P/N	Rated current
HVCO4M N 1001L	350A
HVCO4M1001L	1500A

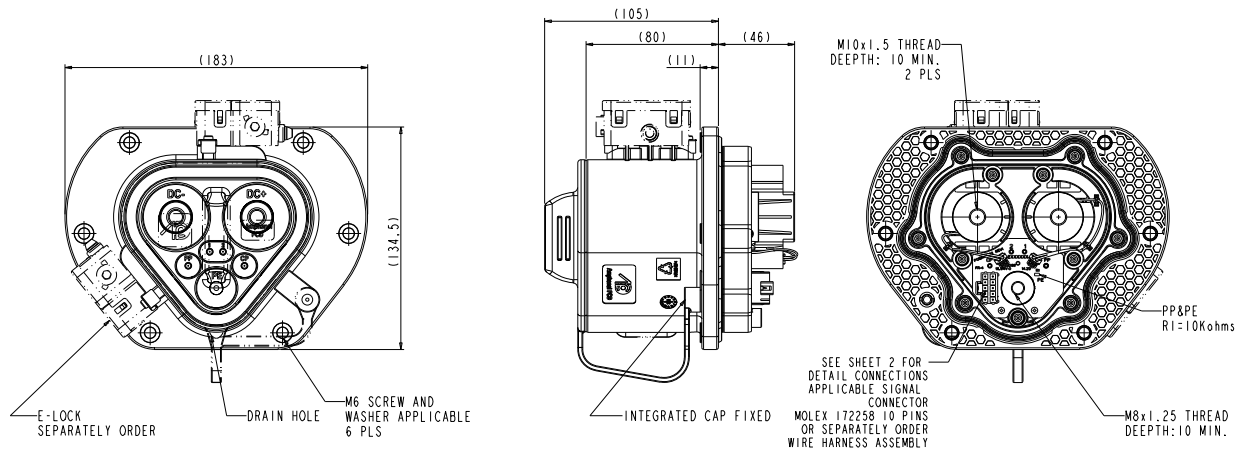


KEY FEATURES:

Compliant with:
IEC TS 63379
IEC 61851-23-3
SAE J1772

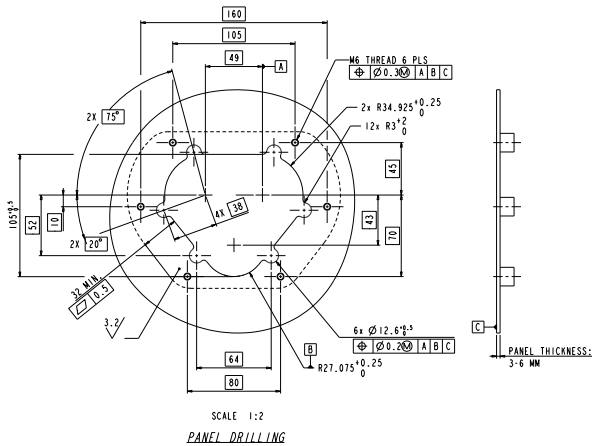
MECHANICAL	
Mating cycles	> 20,000 cycles (unloaded)
Insertion / withdrawal force	< 100N
ELECTRICAL	
Rated current	1000A (natural cooling copper bar) 3000A (liquid cooling copper bar)
Rated voltage	1250V DC
ENVIRONMENTAL	
Protection degree	IP67
Ambient temperature	-30°C to 50°C
MATERIAL	
Shell	Thermoplastic
Contact	Copper alloy
Inserts	Thermoplastic
Sealing gasket	Rubber or silicon rubber
Insulator inflammability	UL94V0

MCS INLET | DIMENSIONS



MOUNTING PANEL

PART NUMBER



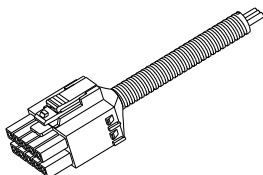
Part Number
HVCO4FN103

Electric lock | AMPHENOL PCD SHENZHEN (12V)

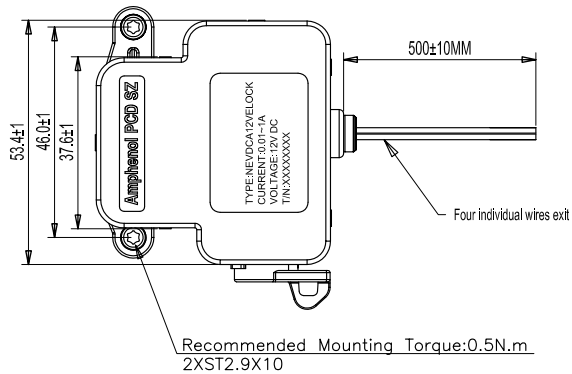
4-wire solution is available for 12V



P/N: HVELA12SS001



Signal cable: P08B005767



TYPE	RED	BLACK	WHITE	BLUE
UNLOCKING	+	-	SIGNAL($R_U = +\infty \Omega$)	
LOCKING	-	+	SIGNAL($R_L = 0 \Omega$)	



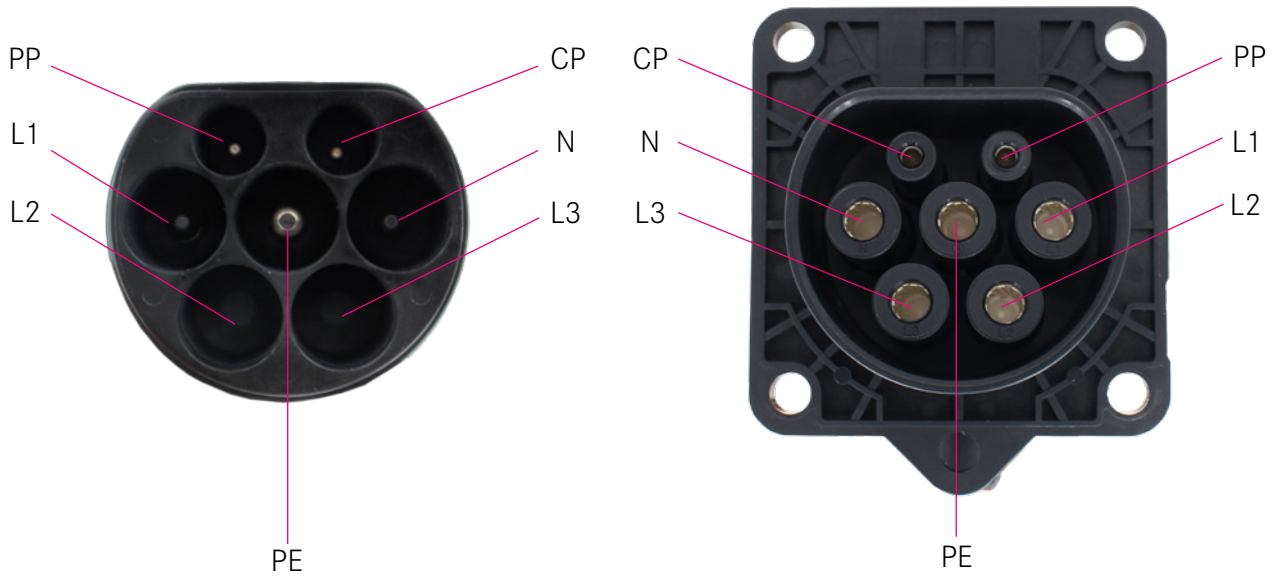
KEY FEATURES:

Compliant with:
IEC 62196-2
IEC 61851-1

Plug: EN17186
Vehicle connector:
CE, EV Ready & UKCA

MECHANICAL	
Mating cycles	> 10,000 cycles (unloaded)
ELECTRICAL	
Rated current	See page 15 & 16
Rated voltage	See page 15 & 16
ENVIRONMENTAL	
Protection degree	IP44 (plugged in) IP55 (with lids) IP67 (connector enclosure)
Ambient temperature	-30°C to 50°C
MATERIAL	
Shell	Thermoplastic
Contact	Copper alloy
Inserts	Thermoplastic
Sealing gasket	Rubber or silicon rubber
Insulator inflammability	UL94V0

INSERT ARRANGEMENTS

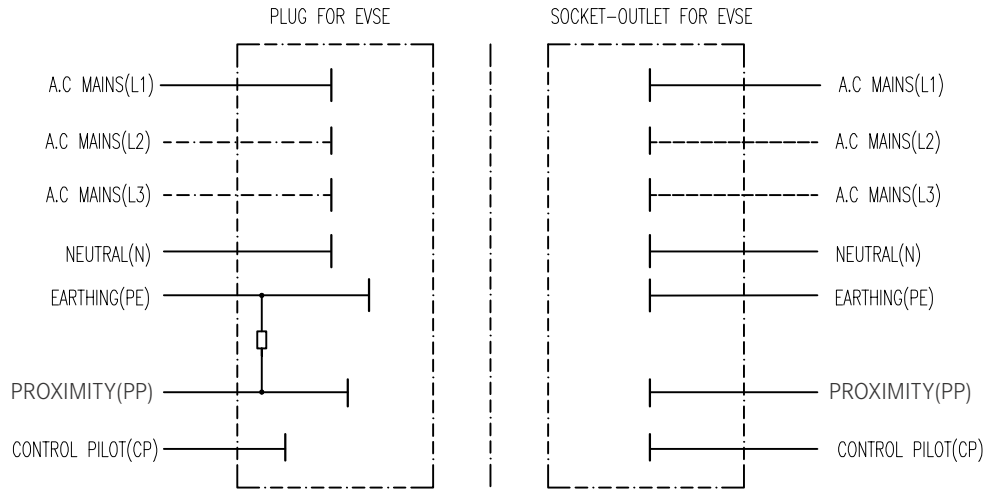


CONFIGURATION

A.C. Type 2		Functions
1-Phase	3-Phase	
250V 20A, 32A	480V 20A, 32A	L1 (Mains 1)
-	480V 20A, 32A	L2 (Mains 2)
-	480V 20A, 32A	L3 (Mains 3)
250V 20A, 32A	480V 20A, 32A	N (Neutral)
Rated for fault		PE (Protective Ground/Earth)
30V 2A		CP (Control pilot)
30V 2A		PP (Proximity)

AC TYPE 2 COUPLER FOR EVSE SIDE

Circuit diagram



Charging components

LXXXX: Cable length (unit in mm)



Socket-outlet (Shutter version)				
Type 2 / Mode 3	32A	3-Phase	HVCOSFS706LXXXX	-
	32A	1-Phase	HVCOSFS506LXXXX	-
	32A	3-Phase	HVCOSFS706NTLXXXX	NTC
	32A	1-Phase	HVCOSFS506NTLXXXX	NTC
	32A	3-Phase	HVCOSFS706PTLXXXX	PT1000
	32A	1-Phase	HVCOSFS506PTLXXXX	PT1000



Socket-outlet				
Type 2 / Mode 3	32A	3-Phase	HVCOIFS706LXXXX	-
	32A	1-Phase	HVCOIFS506LXXXX	-
	32A	3-Phase	HVCOIFS706NTLXXXX	NTC
	32A	1-Phase	HVCOIFS506NTLXXXX	NTC
	32A	3-Phase	HVCOIFS706PTLXXXX	PT1000
	32A	1-Phase	HVCOIFS506PTLXXXX	PT1000

Compliant with IEC 62196-2 standard 2-II a. Electric lock available

Configuration:

250V | 32A | 1-phase
480V | 32A | 3-phase

More features: Protection cap, water drainage design, rear mount



Plug			
Type 2 / Mode 3	20A	1-Phase	HVCOIMBSR6PS502LXXXX
	20A	3-Phase	HVCOIMBSR6PS702LXXXX
	32A	1-Phase	HVCOIMBSR6PF504LXXXX
	32A	3-Phase	HVCOIMBSR6PF704LXXXX
	32A	1-Phase	HVCOIMBSR6PF506LXXXX
	32A	3-Phase	HVCOIMBSR6PF706LXXXX

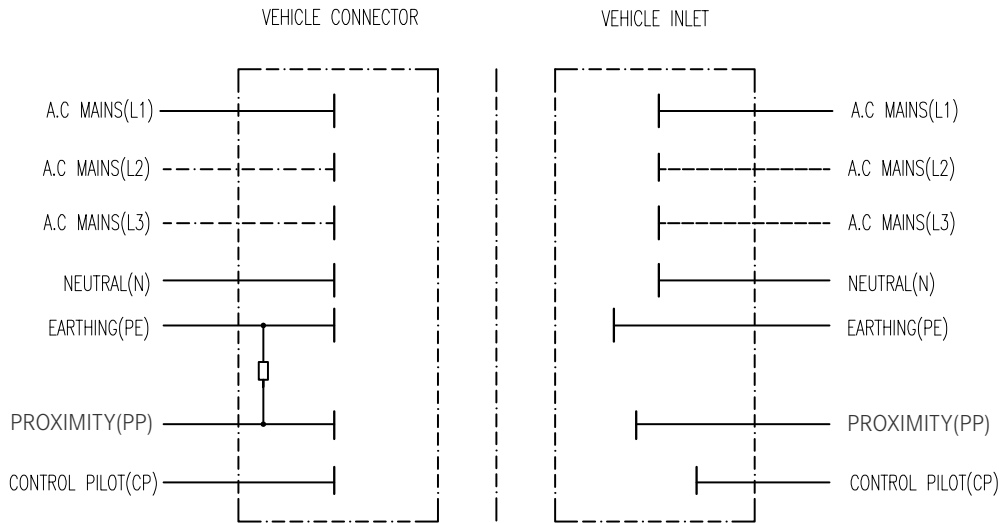
Compliant with IEC 62196-2 standard sheet 2-II b & EN17186.

Configuration:

250V | 20A or 32A | 1-phase
480V | 20A or 32A | 3-phase

AC TYPE 2 COUPLER FOR EV SIDE

Circuit diagram



Charging components

LXXXX: Cable length (unit in mm)



Type 2 / Mode 3			Socket-inlet
32A	3-Phase		HVCOIFR6SF706NT LXXXX
32A	1-Phase		HVCOIFR6SF506NT LXXXX
20A	3-Phase		HVCOIFR6SS702NT LXXXX
20A	1-Phase		HVCOIFR6SS502NT LXXXX

Compliant with IEC 62196-2 standard sheet 2-II b.

Configuration:

- 250V | 32A | 1-phase
- 480V | 32A | 3-phase
- 250V | 20A | 1-phase
- 480V | 20A | 3-phase



Type 2 / Mode 3					Vehicle connector
20A	1-Phase	Wire range	2.5mm ²	HVCOIMBR6PS502 LXXXX	
20A	3-Phase		2.5mm ²	HVCOIMBR6PS702 LXXXX	
32A	1-Phase	Wire range	6mm ²	HVCOIMBR6PF506 LXXXX	
32A	3-Phase		6mm ²	HVCOIMBR6PF706 LXXXX	
32A	1-Phase	Wire range	4mm ²	HVCOIMBR6PF504 LXXXX	
32A	3-Phase		4mm ²	HVCOIMBR6PF704 LXXXX	

Compliant with IEC 62196-2 standard sheet 2-II e & EN17186.

Configuration:

- 250V | 20A or 32A | 1-phase
- 480V | 20A or 32A | 3-phase



Type 2 / Mode 3					Vehicle connector (Shutter version)
20A (Potted)	1-Phase	Wire range	2.5mm ²	HVCOSMR6PF502 LXXXX	
32A (Potted)	1-Phase		4mm ²	HVCOSMR6PF504 LXXXX	
32A (Potted)	1-Phase	Wire range	6mm ²	HVCOSMR6PF506 LXXXX	
20A (Potted)	3-Phase		2.5mm ²	HVCOSMR6PF702 LXXXX	
32A (Potted)	3-Phase	Wire range	4mm ²	HVCOSMR6PF704 LXXXX	
32A (Potted)	3-Phase		6mm ²	HVCOSMR6PF706 LXXXX	

Compliant with IEC 62196-2 standard sheet 2-II e & EN17186.

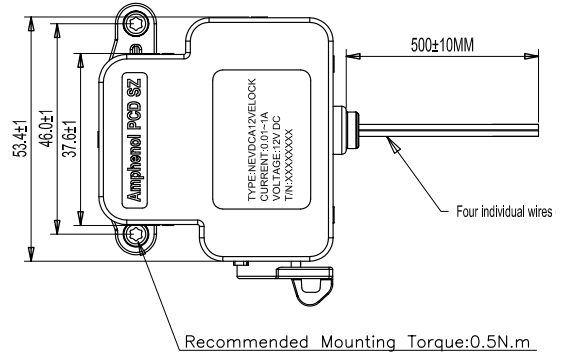
Configuration:

- 250V | 32A | 1-phase
- 480V | 32A | 3-phase

LOCKING ACTUATOR

Electric lock | AMPHENOL PCD SHENZHEN (12V)

4 wire solution is available.



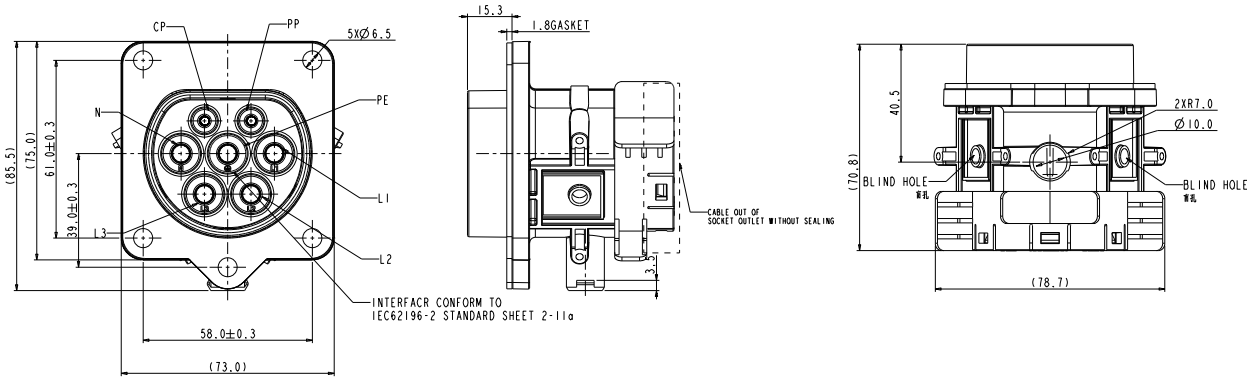
P/N (12V):
NEVDCA12VELOCKL0500

TYPE	RED	BLACK	WHITE	BLUE
UNLOCKING	+	-	SIGNAL($R_U=1k\Omega$)	
LOCKING	-	+	SIGNAL($R_L=11k\Omega$)	

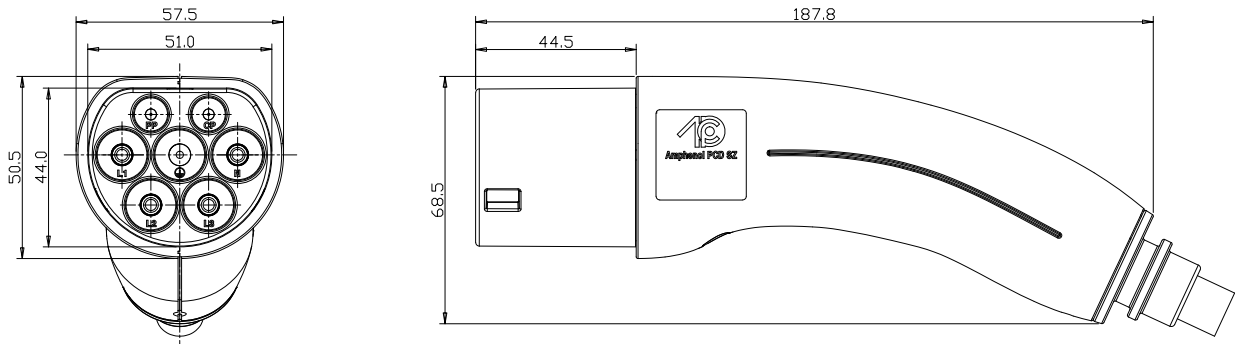
PROTECTION CAP WITH HINGED LID

P/N		DRAWING		
HVCOISLIDXBXX	<p>Press</p>			
HVCOISLIDXCXX	<p>Pull</p>			

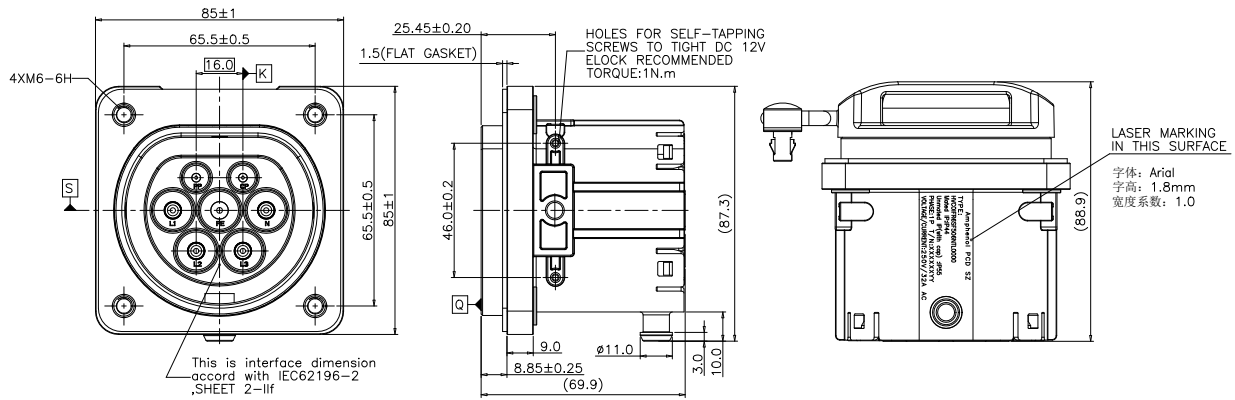
SOCKET-OUTLET DIMENSIONS (EVSE)



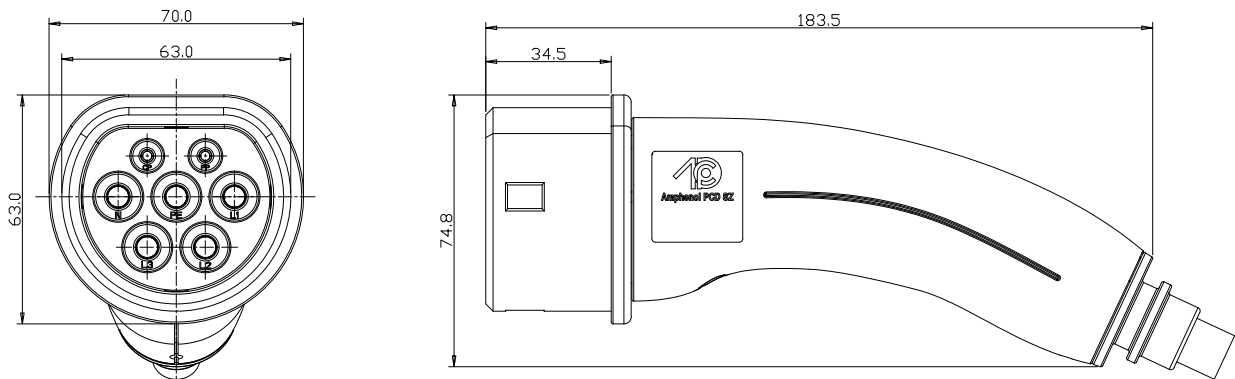
PLUG DIMENSIONS (EVSE)



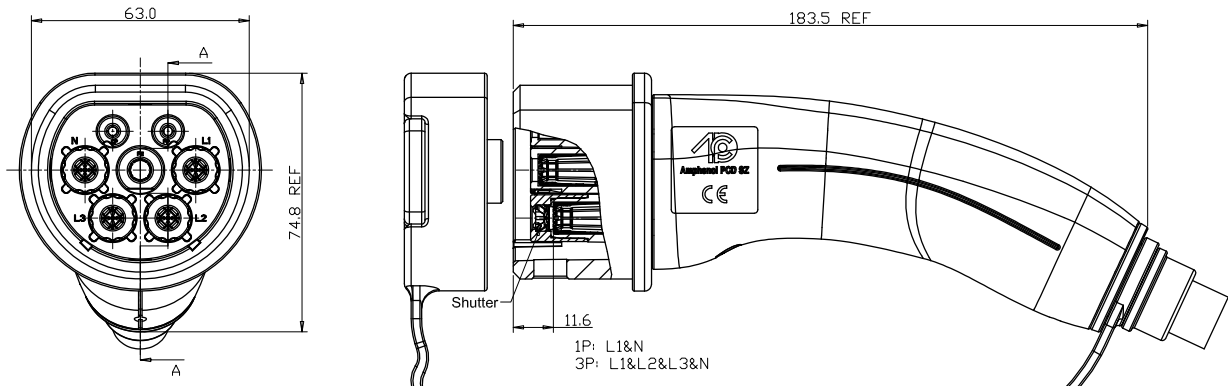
SOCKET-INLET DIMENSIONS



VEHICLE CONNECTOR DIMENSIONS



POTTED VEHICLE CONNECTOR DIMENSIONS

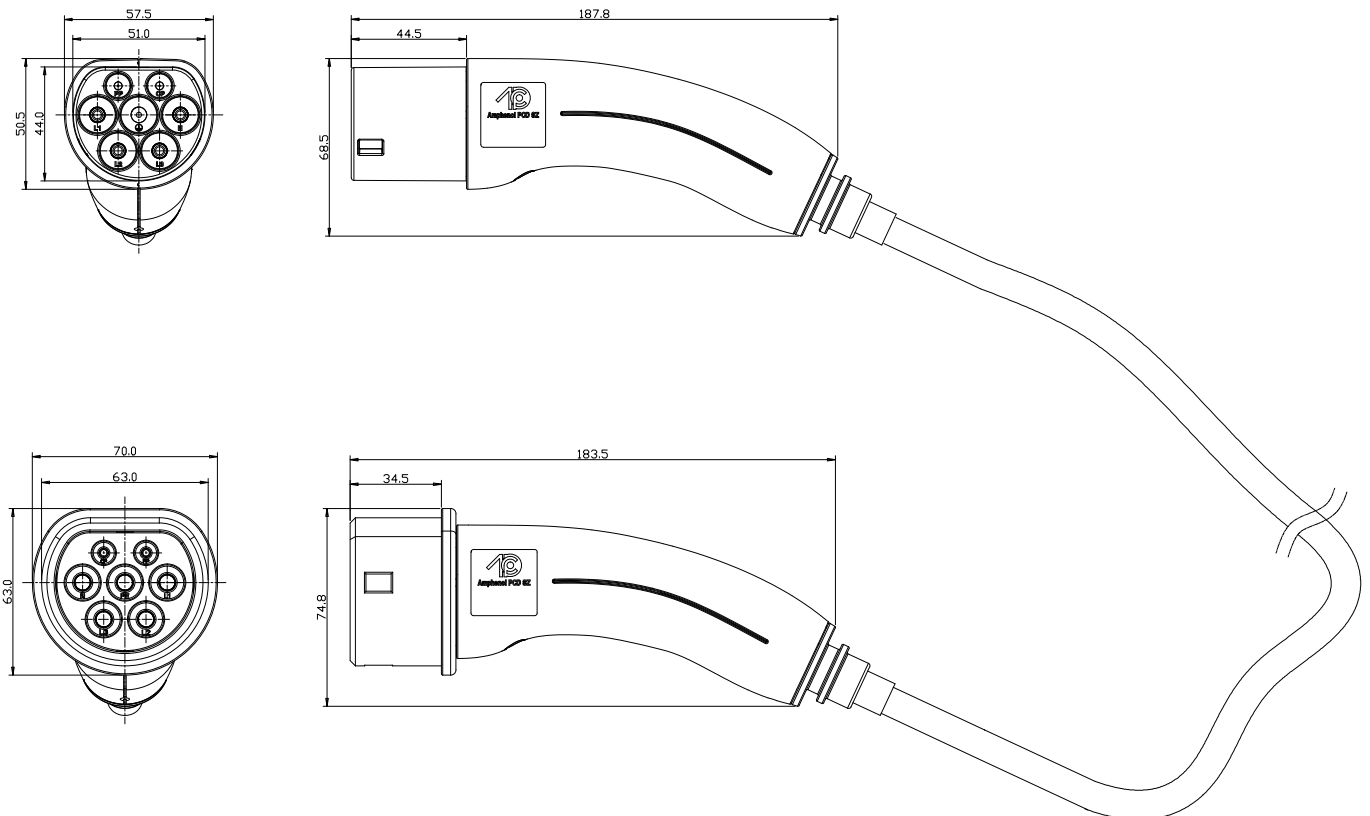


PLUG (EVSE) + VEHICLE CONNECTOR (EV) DIMENSIONS - MODE 3



Part Number		
16/20A	1-Phase	HVCOIMBSCR6PS502LXXXX
16/20A	3-Phase	HVCOIMBSCR6PS702LXXXX
32A	1-Phase	HVCOIMBSCR6PF504LXXXX
32A	3-Phase	HVCOIMBSCR6PF704LXXXX
32A	1-Phase	HVCOIMBSCR6PF506LXXXX
32A	3-Phase	HVCOIMBSCR6PF706LXXXX

LXXXX: Cable length (unit in mm)





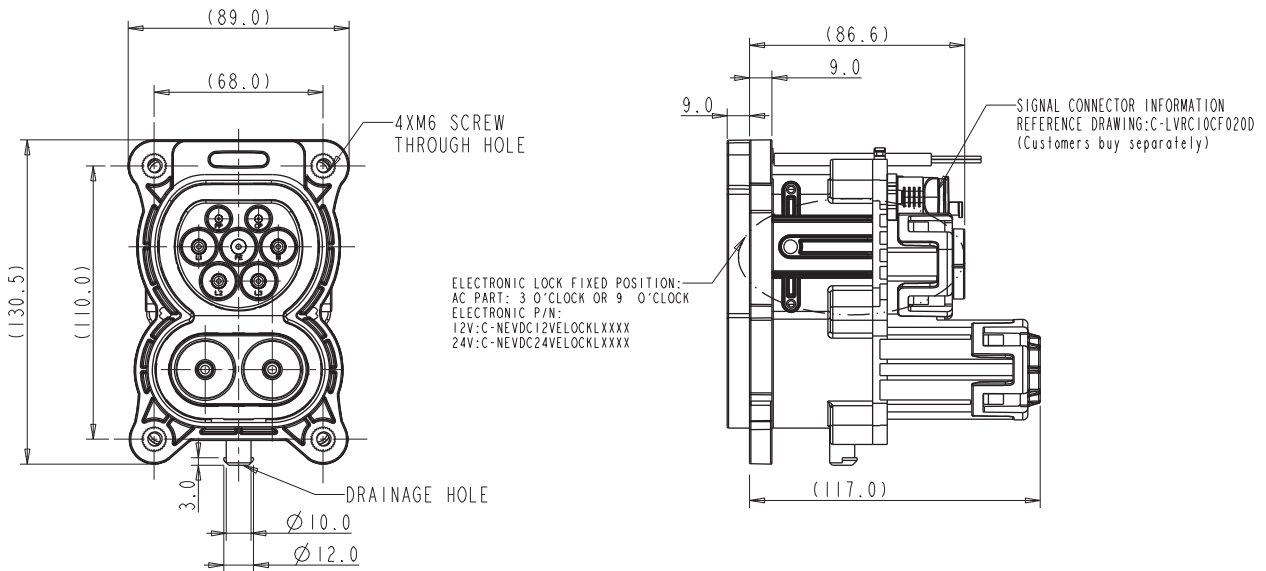
KEY FEATURES:

Compliant with:
IEC 62196-2
IEC 62196-3

Vehicle connector:
EN17186, CE, UKCA

MECHANICAL	
Mating cycles	Inlet: > 10,000 cycles (unloaded) Vehicle Connector: > 20,000 cycles (unloaded)
Insertion / withdrawal force	< 100N
ELECTRICAL	
Rated current	See page 23 and 25
Rated voltage	See page 23 and 25
Temperature sensor (Optional)	The two power contacts DC+ and DC- are monitored by temperature-dependent resistor sensors
ENVIRONMENTAL	
Protection degree	IP44 (plugged in) IP55 (with lids) IP67 (connector enclosure)
Ambient temperature	-30°C to 50°C
MATERIAL	
Shell	Thermoplastic
Contact	Copper alloy
Inserts	Thermoplastic
Sealing gasket	Rubber or silicon rubber
Insulator inflammability	UL94V0

IEC COMBO VEHICLE INLET DIMENSIONS (VERSION A)



IEC COMBO ELECTRICAL SPECIFICATIONS

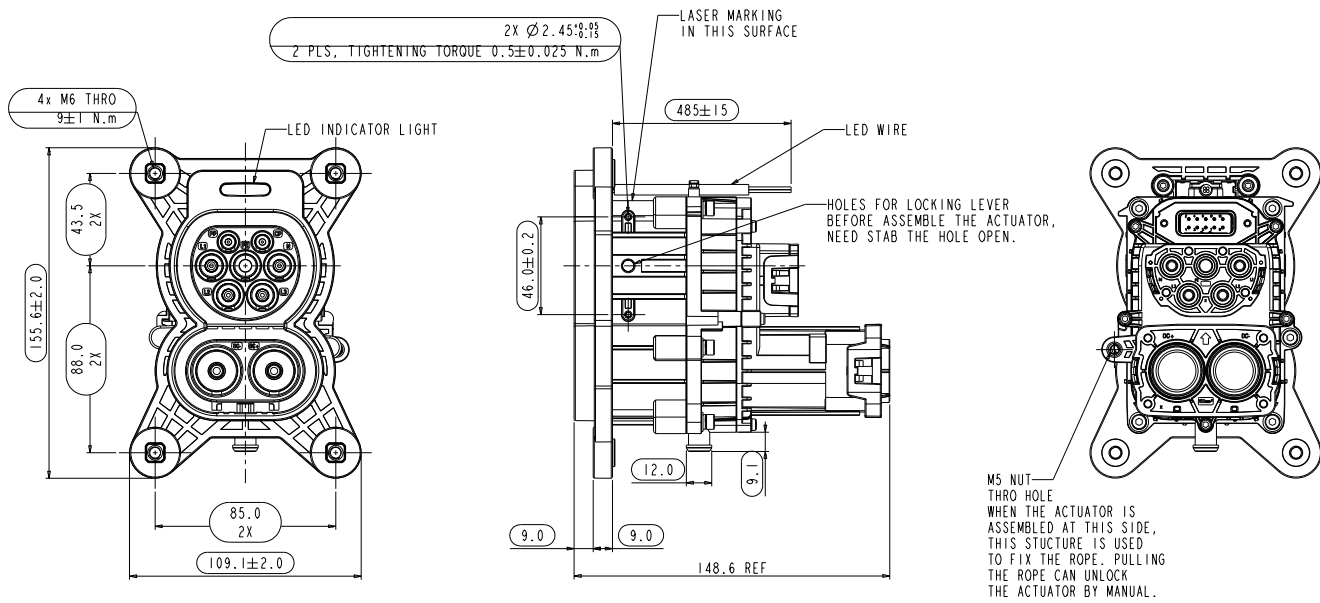
Combined interface		Functions
1-phase	3-phase	
250V 32A, 63A	480V 32A, 63A	L1 (Mains 1) - Optional
-	480V 32A, 63A	L2 (Mains 2) - Optional
-	480V 32A, 63A	L3 (Mains 3) - Optional
250V 32A, 63A	480V 32A, 63A	N (Neutral) - Optional
Rated for fault		PE (Protective Ground/Earth)
30V 2A		CP (Control pilot)
30V 2A		PP (Proximity)
1000V 150A, 200A, 250A, 300A		DC+ (High power d.c.)
1000V 150A, 200A, 250A, 300A		DC- (High power d.c.)

IEC COMBO VEHICLE INLET WITH LED DIMENSIONS (VERSION B - PCBA)

Rear mount without protection cap



Rear mount with protection cap



Signal connector with cable assembly



P/N	Positions
P08B002345	5 POS
P08B002344	8 POS
P08B002343	9 POS

PART NUMBER | IEC COMBO VEHICLE INLETS

VERSION A

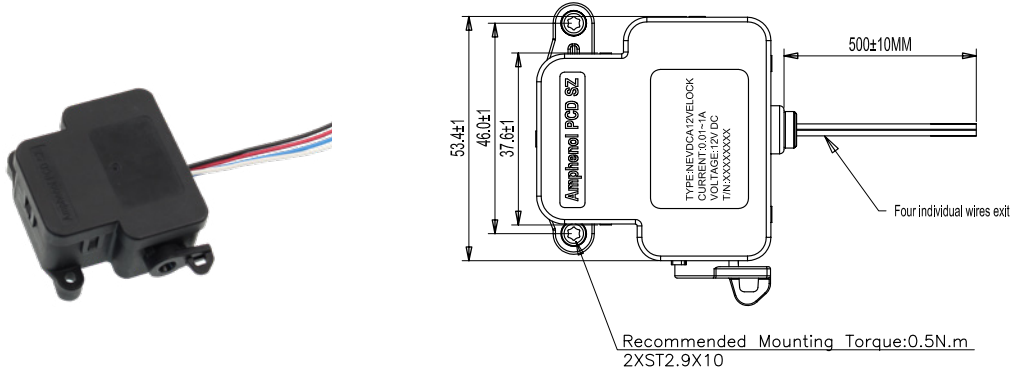
P/N	AC		DC		LED	Thermistor
	Rated current (A)	Cable size (mm ²)	Rated current (A)	Cable size (mm ²)		
HVCOFC11A	1 x 32	6	150	35	12V	PT1000(DC)+NTC(AC)
HVCOFD11A	3 x 32	6	150	35	12V	PT1000(DC)+NTC(AC)
HVCOFC08A	1 x 32	6	200	50	12V	PT1000(DC)+NTC(AC)
HVCOFD08A	3 x 32	6	200	50	12V	PT1000(DC)+NTC(AC)
HVCOFC05A	1 x 32	6	250	70	12V	PT1000(DC)+NTC(AC)
HVCOFD05A	3 x 32	6	250	70	12V	PT1000(DC)+NTC(AC)
HVCOFC02A	1 x 32	6	300	95	12V	PT1000(DC)+NTC(AC)
HVCOFD02A	3 x 32	6	300	95	12V	PT1000(DC)+NTC(AC)

VERSION B - PCBA

P/N	Rated current (AC)	Rated current (DC)	Phase	AC cable size	DC cable size	Temperature sensor (DC) Recommended
HVCOCF0210DN	32A	500A	3	6mm ²	150mm ²	PT1000
HVCOCF0212DN	63A	500A	3	16mm ²	150mm ²	PT1000
HVCOCF0213DN	32A	400A	3	6mm ²	120mm ²	PT1000
HVCOCF0215DN	63A	400A	3	16mm ²	120mm ²	PT1000
HVCOCF0216DN	32A	300A	3	6mm ²	95mm ²	PT1000
HVCOCF0218DN	63A	300A	3	16mm ²	95mm ²	PT1000
HVCOCF0219DN	32A	200A	3	6mm ²	70mm ²	PT1000
HVCOCF0221DN	63A	200A	3	16mm ²	70mm ²	PT1000
HVCOCF0222DN	32A	500A	1	6mm ²	150mm ²	PT1000
HVCOCF0224DN	63A	500A	1	16mm ²	150mm ²	PT1000
HVCOCF0225DN	32A	400A	1	6mm ²	120mm ²	PT1000
HVCOCF0227DN	63A	400A	1	16mm ²	120mm ²	PT1000
HVCOCF0228DN	32A	300A	1	6mm ²	95mm ²	PT1000
HVCOCF0230DN	63A	300A	1	16mm ²	95mm ²	PT1000
HVCOCF0231DN	32A	200A	1	6mm ²	70mm ²	PT1000
HVCOCF0233DN	63A	200A	1	16mm ²	70mm ²	PT1000
HVCOCF0234DN	-	500A	-	-	150mm ²	PT1000
HVCOCF0235DN	-	400A	-	-	120mm ²	PT1000
HVCOCF0236DN	-	300A	-	-	95mm ²	PT1000
HVCOCF0237DN	-	200A	-	-	70mm ²	PT1000

Electric lock | AMPHENOL PCD SHENZHEN (12V, 24V)

4-wire solution is available for both 12V and 24V.



P/N (12V): **NEVDCA12VELOCK**

TYPE	RED	BLACK	WHITE	BLUE
UNLOCKING	+	-	SIGNAL($R_U=1k\Omega$)	
LOCKING	-	+	SIGNAL($R_L=11k\Omega$)	

P/N (24V): **NEVDCA24VELOCK**

TYPE	RED	BLACK	WHITE	BLUE
UNLOCKING	+	-	SIGNAL($R_U=+\infty\Omega$)	
LOCKING	-	+	SIGNAL($R_L=0\Omega$)	



9 o'clock



3 o'clock

IEC COMBO VEHICLE CONNECTOR



P/N	Rated current (DC)	DC cable size	PE cable size
HVCOCMTR8PF200AML	200A	2 x 25mm ²	4mm ²
HVCOCMTR8PF250AML	250A	2 x 35mm ²	4mm ²
HVCOCMTR8PF350AML	350A	2 x 50mm ²	4mm ²
HVCOCMTR8PF380AML	380A	2 x 50mm ²	6mm ²

IEC COMBO VEHICLE CONNECTOR - 40A, 65A, 80A



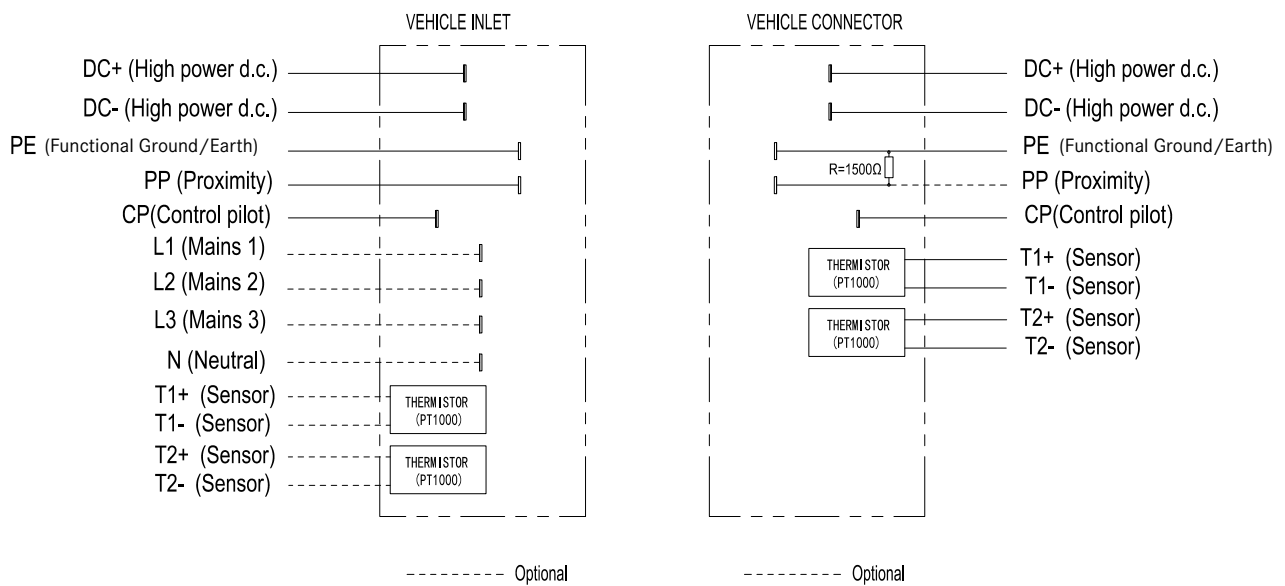
Mating cycles:	> 10,000 cycles (unloaded)
Insertion / withdrawal force:	< 100N
Rated current:	80A@16mm ²
	65A@10mm ²
	40A@6mm ²
Rated voltage:	1000V (DC)
Standards:	IEC62196.1, IEC62196.3
Temperature sensor:	PT1000
Waterproof:	IP55 (mated)
Ambient temperature:	-30 to 50°C
ROHS:	Yes

P/N	Rated current
HVCOCMCTR8PF506LXXXX	40A
HVCOCMCTR8PF510LXXXX	65A
HVCOCMCTR8PF516LXXXX	80A

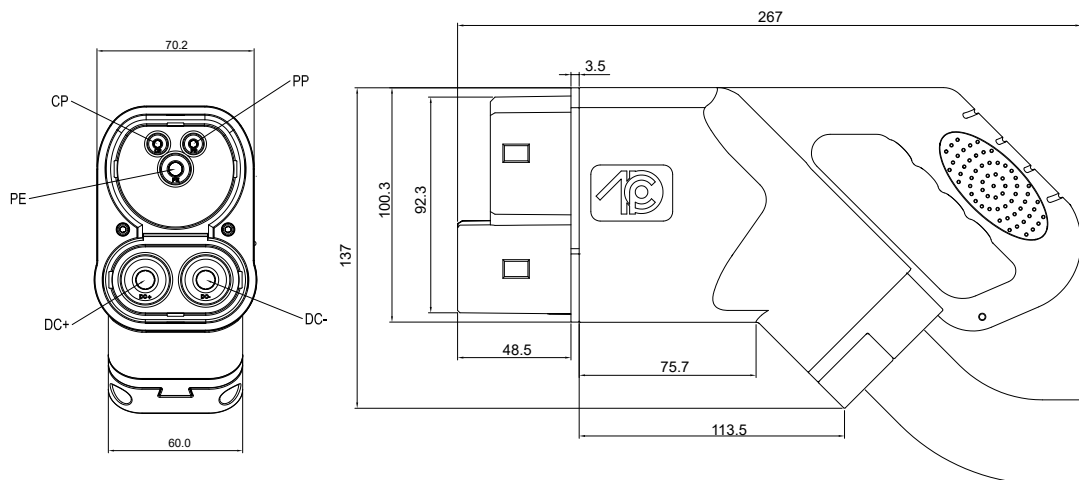
IEC COMBO ELECTRICAL SPECIFICATIONS

Combined interface	Functions
Rated for fault	PE (Functional Ground/Earth)
30V 2A	CP (Control pilot)
30V 2A	PP (Proximity)
1000V 200A, 250A, 300A, 350A, 380A	DC+ (High power d.c.)
1000V 200A, 250A, 300A, 350A, 380A	DC- (High power d.c.)

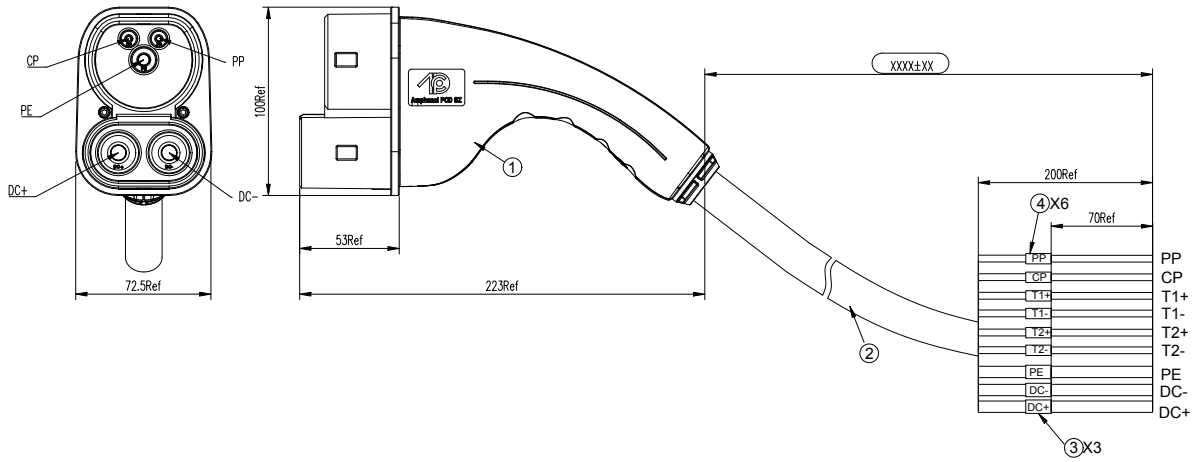
CIRCUIT DIAGRAMS



IEC COMBO VEHICLE CONNECTOR DIMENSIONS



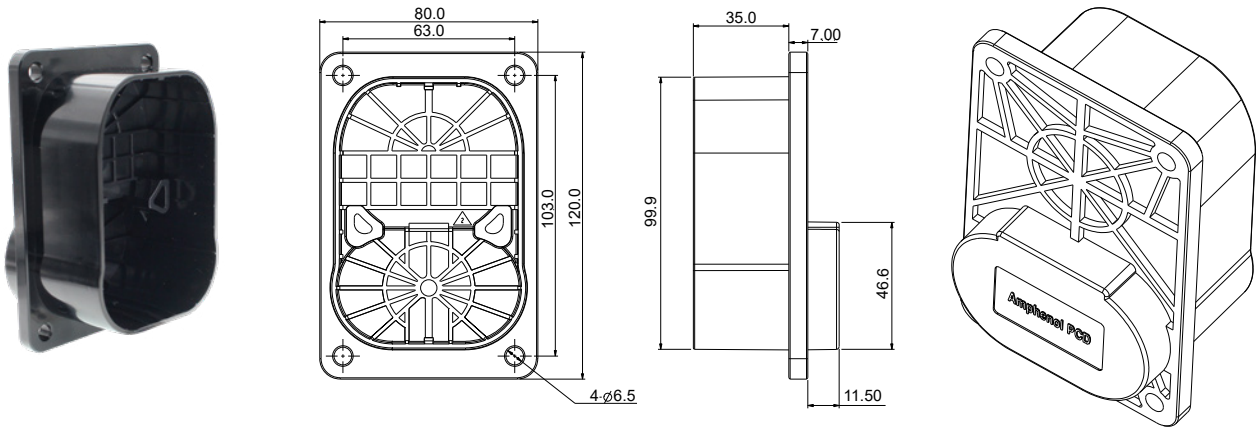
IEC COMBO VEHICLE CONNECTOR - 40A, 80A



HOLDER FOR PLUG

P/N: **C-C220027208**

(Connectors do not include, please order seperately)



EXCELIMATE CC SAE TYPE1 AC CONNECTOR - TECHNICAL CHARACTERISTICS

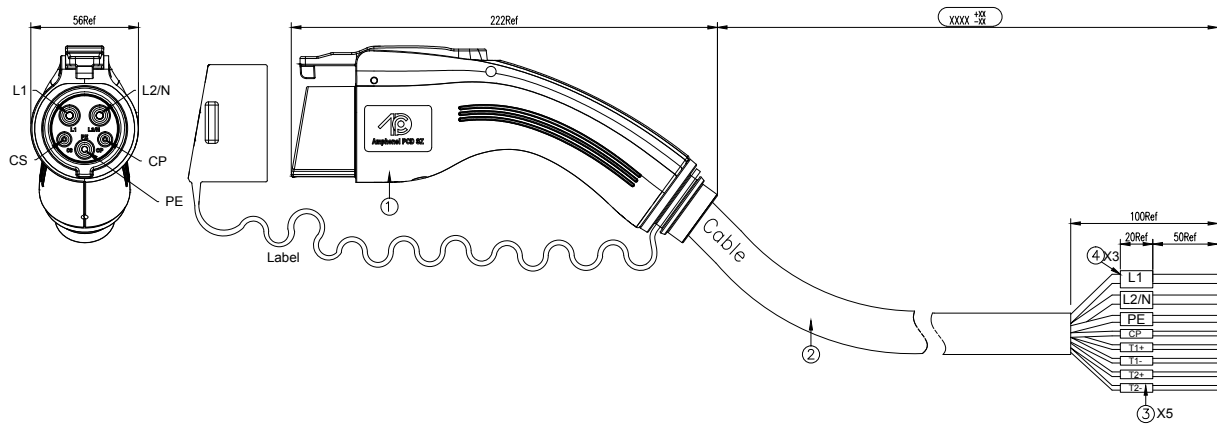


KEY FEATURES:

Compliant with:
SAE J1772, IEC 62196-1

MECHANICAL	
Mating cycles	> 10,000 cycles
Insertion / withdrawal force	100N Max
ELECTRICAL	
Rated current	L1, L2 : 16A, 32A, 48A/50A, 80A CS, CP: 2A
Rated voltage	L1, L2 : 240V AC CS, CP: 30V
Withstand voltage	2000V AC
Insulation resistance	> 100MΩ (500V DC)
ENVIRONMENTAL	
Protection degree	Type 3S
Ambient temperature	-30°C to 50°C
MATERIAL	
Shell	Thermoplastic
Shell color	Black
Contact	Copper alloy
Inserts	Thermoplastic
Sealing gasket	Rubber or silicon rubber
Insulator inflammability	UL94V0

SAE TYPE1 AC CONNECTOR DIMENSIONS



SAE TYPE1 AC CONNECTOR - PART NUMBER

Shell color: Black

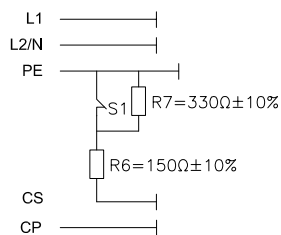
LXXXX: Cable length (unit in mm)



POTTED VERSION

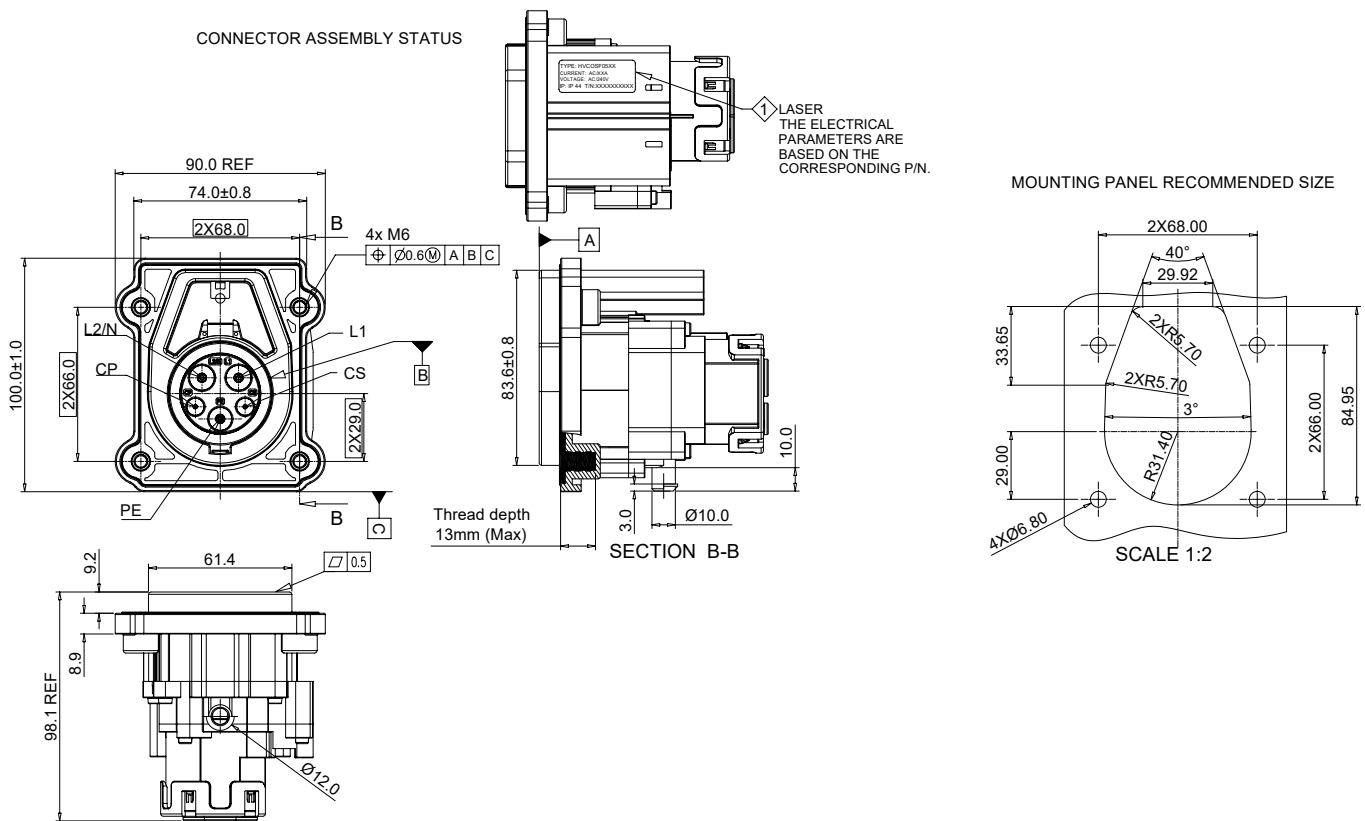
	Part Number	Sensor
32A	HVCOSAEMACBPF506LXXXX	N/A
32A	HVCOSAEMACBPF506NLXXXX	NTC
32A	HVCOSAEMACBPF506PLXXXX	PT1000
50A	HVCOSAEMACBPF510NLXXXX	NTC
50A	HVCOSAEMACBPF510PLXXXX	PT1000
80A	HVCOSAEMACBPF516NLXXXX	NTC
80A	HVCOSAEMACBPF516PLXXXX	PT1000

CIRCUIT DIAGRAMS & CABLE SIZE



	Cable size		
Current	80A	50A	32A
L1, L2/N	6 AWG	8 AWG	10 AWG
PE	8 AWG	10 AWG	10 AWG
CS, CP	18 AWG		

SAE TYPE1 AC SOCKET DIMENSIONS



SAE TYPE1 AC SOCKET - PART NUMBER



ELECTRIC LOCK

P/N (12V): HVEL12GS002S2



Part Number	Rated Current	Cable Spec for L1 & L2/N PIN	Cable Spec for PE PIN
HVCOSF0500	L1 & L2/N : 16A	2.5mm ² (14AWG) shielded cable O.D.: 4.2 to 4.7mm	2.5mm ² (14AWG) unshielded cable O.D.: 3.3 to 3.6mm
HVCOSF0500S1	L1 & L2/N : 16A	2.5mm ² (14AWG) shielded cable O.D.: 4.8 to 5.2mm	2.5mm ² (14AWG) shielded cable O.D.: 4.8 to 5.2mm
HVCOSF0501	L1 & L2/N : 32A	6mm ² (10AWG) shielded cable O.D.: 6.0 to 6.5mm	6mm ² (10AWG) unshielded cable O.D.: 4.6 to 5.3mm
HVCOSF0502	L1 & L2/N : 48A	10mm ² (8AWG) shielded cable O.D.: 8.2 to 8.8mm	10mm ² (8AWG) unshielded cable O.D.: 5.9 to 6.5mm
HVCOSF0503	L1 & L2/N : 80A	16mm ² (6AWG) shielded cable O.D.: 9.6 to 10.2mm	16mm ² (6AWG) unshielded cable O.D.: 7.7 to 8.3mm
HVCOSF0504	L1 & L2/N : 80A	25mm ² (4AWG) shielded cable O.D.: 11.6 to 12.2mm	25mm ² (4AWG) unshielded cable O.D.: 9.4 to 10mm

Both processes, **crimping** and **ultrasonic welding** are available.

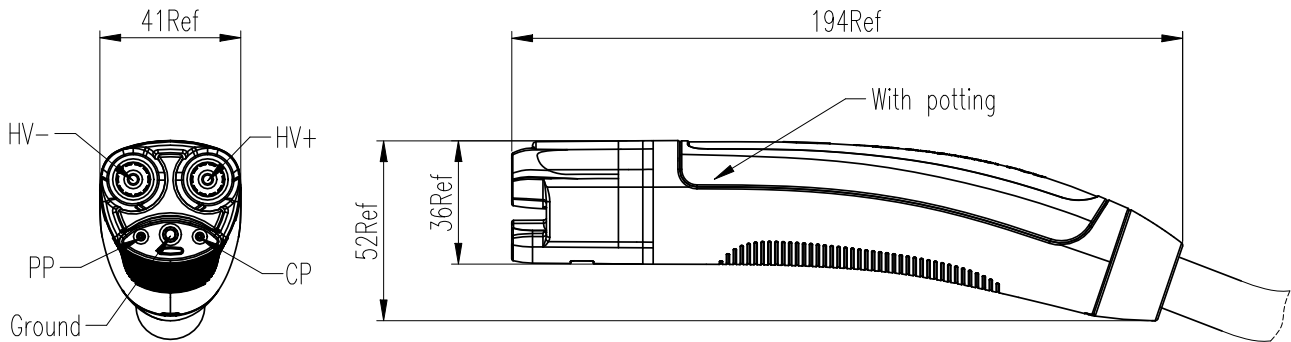


KEY FEATURES:

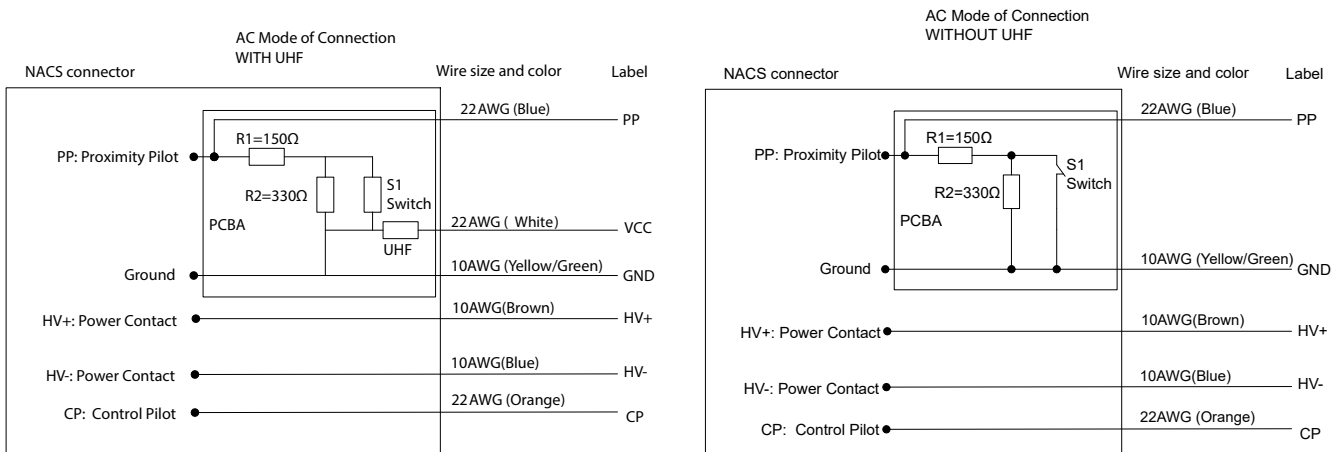
Compliant with:
SAE J1772
SAE J3400
UL2251

MECHANICAL	
Mating cycles	> 10,000 cycles (unloaded)
Insertion / withdrawal force	< 100N
ELECTRICAL	
Rated current	40A, 50A, 80A
Rated voltage	600V AC
ENVIRONMENTAL	
Protection degree	Type 3S IP67
Ambient temperature	-40°C to 50°C
MATERIAL	
Shell	Thermoplastic
Contact	Copper alloy
Inserts	Thermoplastic
Sealing gasket	Rubber or silicon rubber
Insulator inflammability	UL94V0

NACS AC VEHICLE CONNECTOR DIMENSIONS



NACS AC VEHICLE CONNECTOR - CIRCUIT DIAGRAMS



NACS AC VEHICLE CONNECTOR - PART NUMBER

	HVCO	N1MA	XXA	X	LXXXX	X
NACS AC Vehicle Connector						
Rated current DC:						
40A: 40A						
50A: 50A						
80A: 80A						
Temperature sensor:						
N: NTC (Unit in mm)						
P: PT1000 (Unit in mm)						
N/A: No sensor						
Cable accessories:						
XXXX: Cable accessories or customer code						
UHF:						
U: Yes (315MHZ)						
N/A: No						

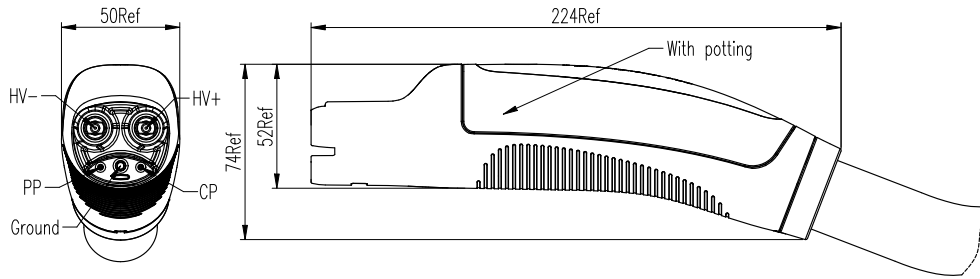


KEY FEATURES:

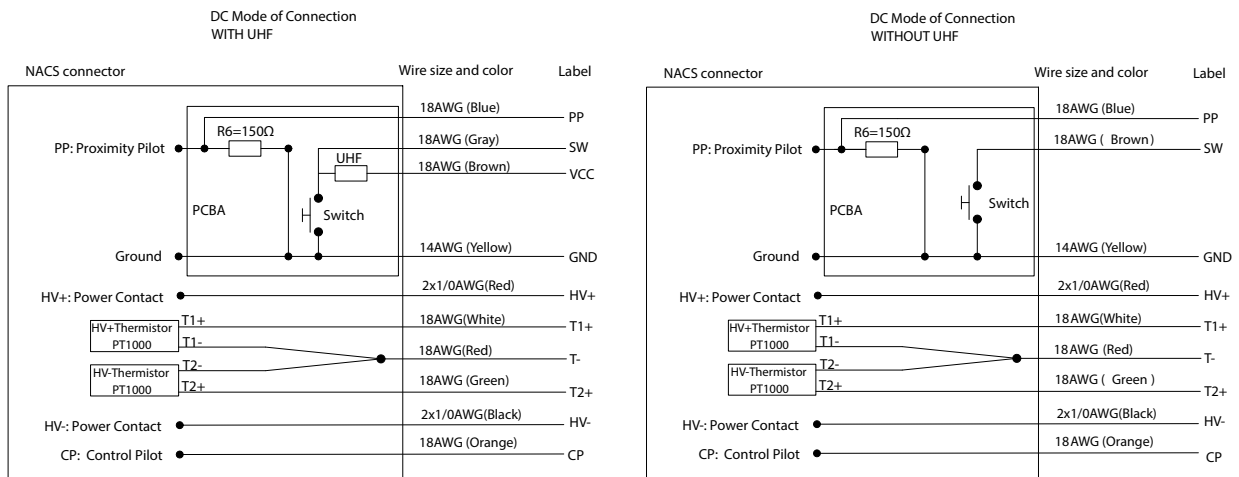
Compliant with:
SAE J3400
UL2251

MECHANICAL	
Mating cycles	> 20,000 cycles (unloaded)
Insertion / withdrawal force	< 100N
ELECTRICAL	
Rated current	200A, 250A, 375A, 600A
Rated voltage	1000V DC
ENVIRONMENTAL	
Protection degree	IP69 IP67
Ambient temperature	-40°C to 50°C -40°C to 40°C (for 375A)
MATERIAL	
Shell	Thermoplastic
Contact	Copper alloy
Inserts	Thermoplastic
Sealing gasket	Rubber or silicon rubber
Insulator inflammability	UL94V0

NACS DC VEHICLE CONNECTOR DIMENSIONS



NACS DC VEHICLE CONNECTOR - CIRCUIT DIAGRAMS



NACS DC VEHICLE CONNECTOR - PART NUMBERS

	HVCO	N1M	X	XXA	X	LXXXX	X
--	------	-----	---	-----	---	-------	---

NACS DC Vehicle Connector

PCBA:

B: Electric circuit B

C: Electric circuit C

Rated current DC:

80A: 80A

200A: 200A

250A: 250A

375A: 375A

Temperature sensor:

N: NTC (Unit in mm)

P: PT1000 (Unit in mm)

N/A: No sensor

Cable accessories:

XXXX: Cable accessories or customer code

UHF:

U: Yes (315MHZ)

N/A: No

LXXXX: Cable length (unit in mm)

Liquid-cooled NACS 600A	Standard	UHF	Temperature sensor
HVCON2MB600APLXXXX	SAE J3400 Diagram 4	-	PT1000
HVCON2MB600APLXXXXU	SAE J3400 Diagram 4	315MHZ	PT1000
HVCON2MC600APLXXXX	SAE J3400 Diagram 3	-	PT1000

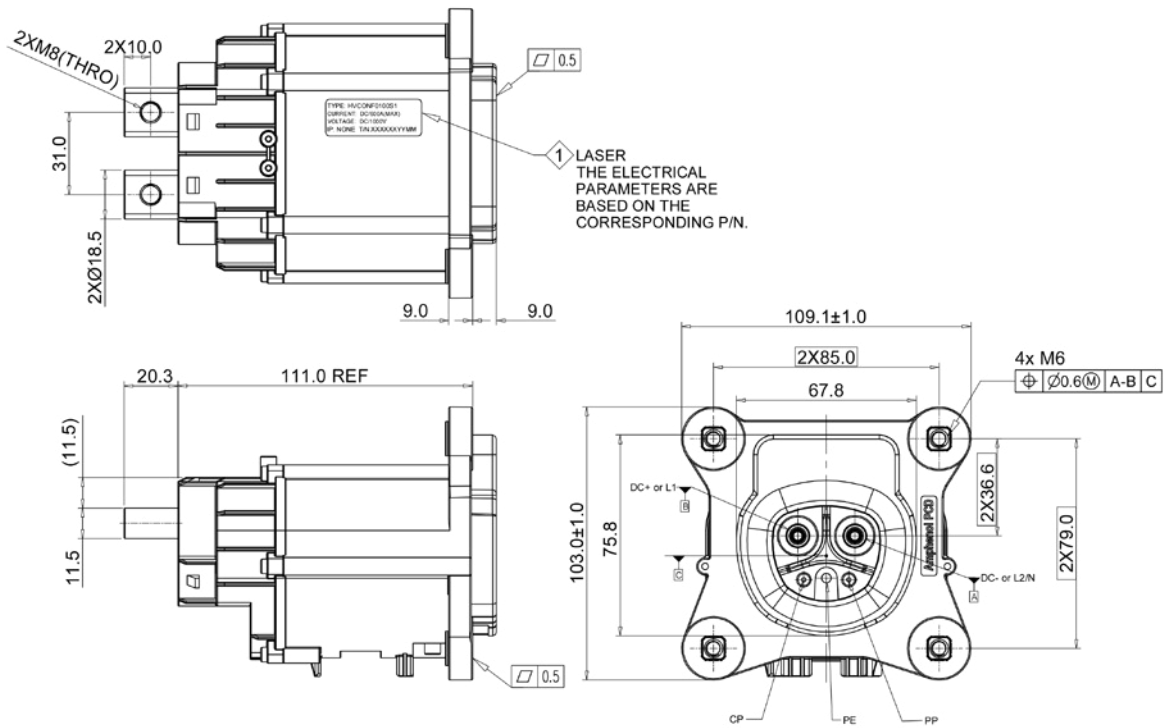


KEY FEATURES:

Compliant with:
 IEC 62196-1
 IEC 62196-2
 IEC 62196-3
 UL2251
 SAE J1772

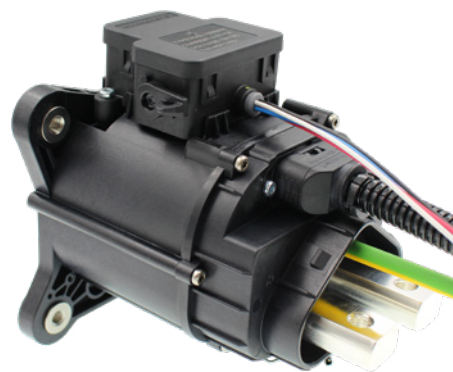
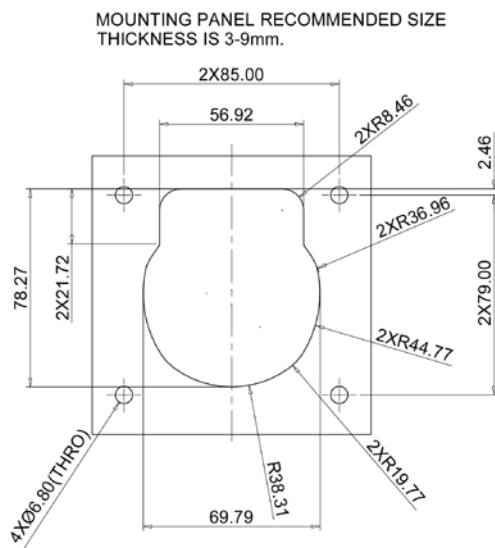
MECHANICAL	
Mating cycles	> 10,000 cycles (unloaded)
Insertion / withdrawal force	< 100N
ELECTRICAL	
Rated current	600A Max
Rated voltage	1000V DC
Temperature sensor	PT1000 The two power contacts DC+ and DC- are monitored by temperature-dependent resistor sensors
ENVIRONMENTAL	
Ambient temperature	-30°C to 50°C
MATERIAL	
Shell	Thermoplastic
Contact	Copper alloy
Inserts	Thermoplastic
Sealing gasket	Rubber or silicon rubber
Insulator inflammability	UL94V0

NACS INLET BUSBAR VERSION | DIMENSIONS



MOUNTING PANEL

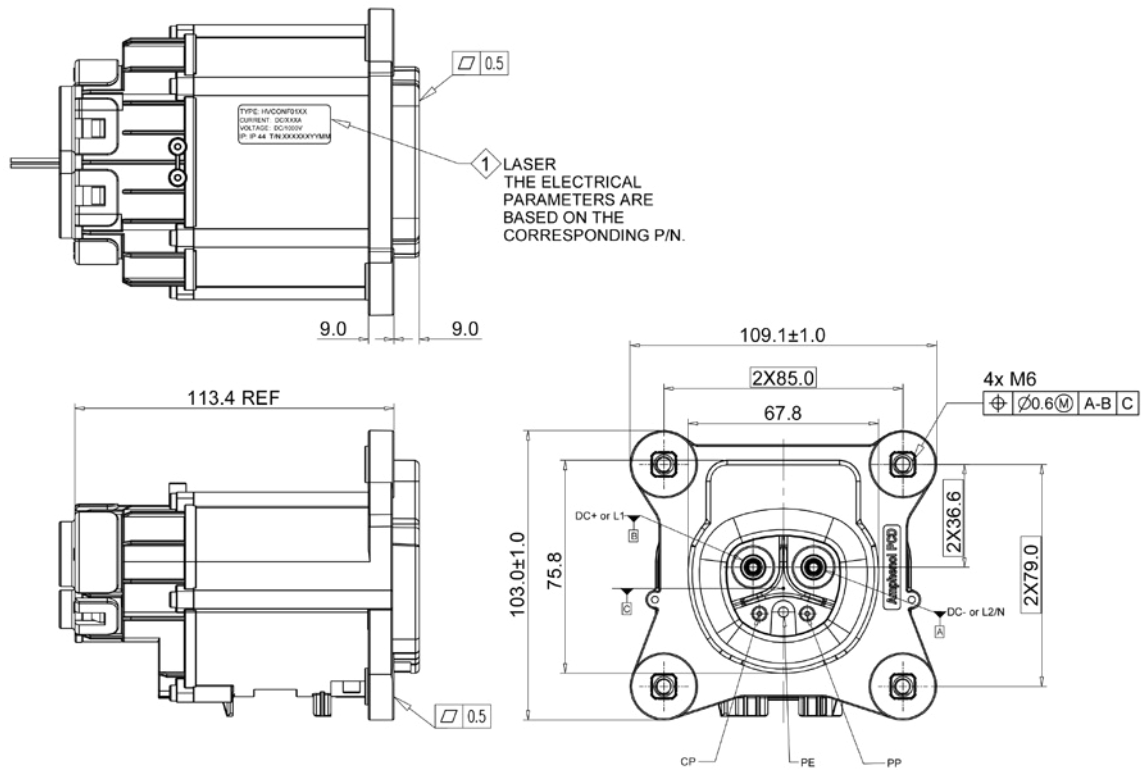
PART NUMBER



Part Number

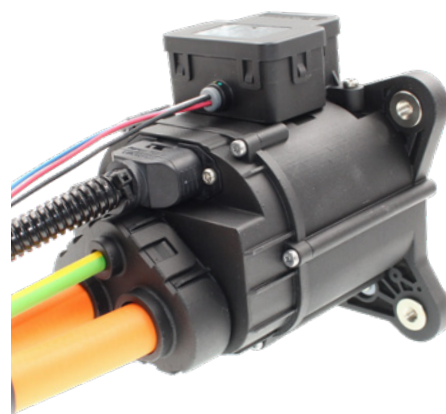
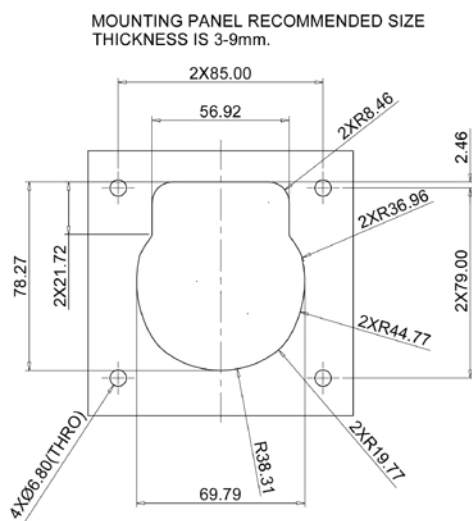
HVCONF0100S1

NACS INLET CRIMPING VERSION | DIMENSIONS



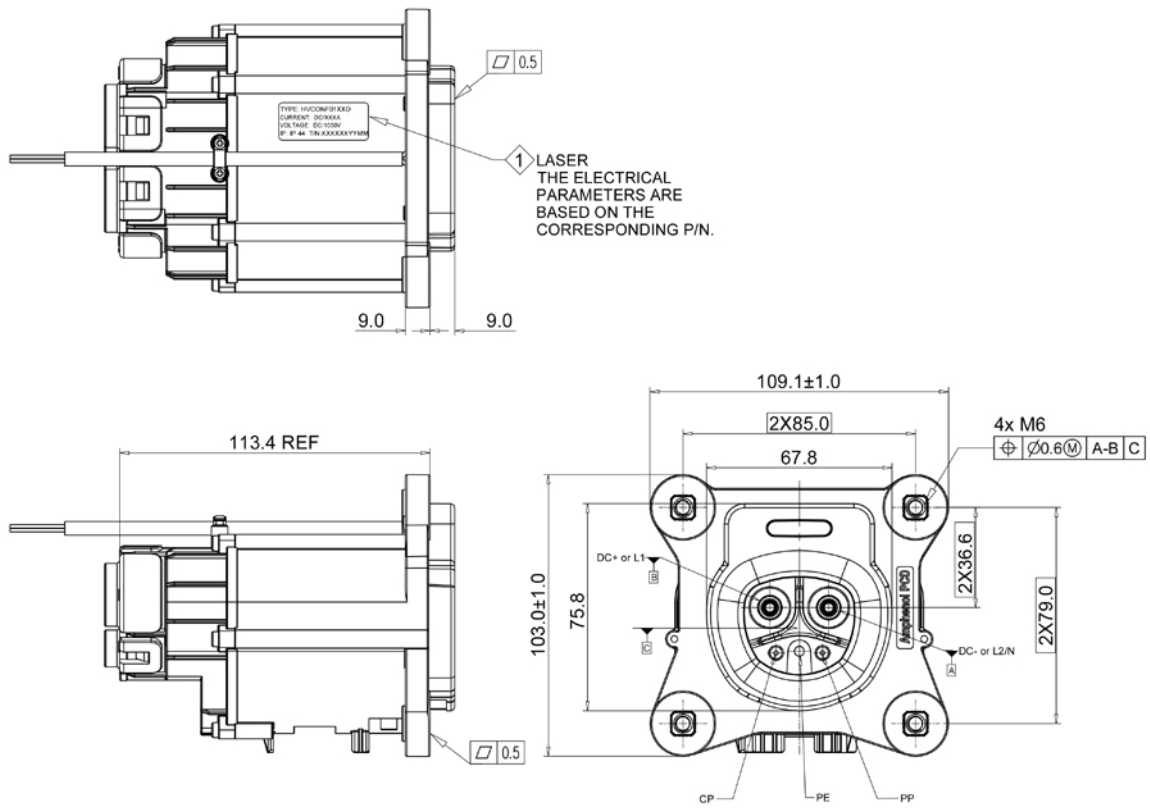
MOUNTING PANEL

PART NUMBER



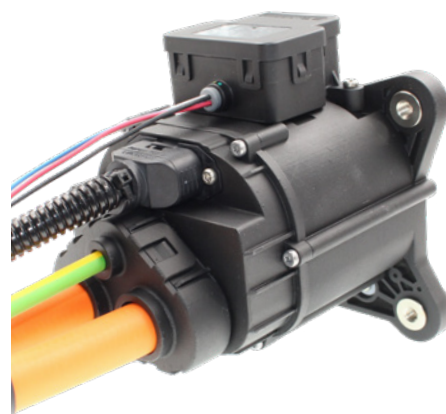
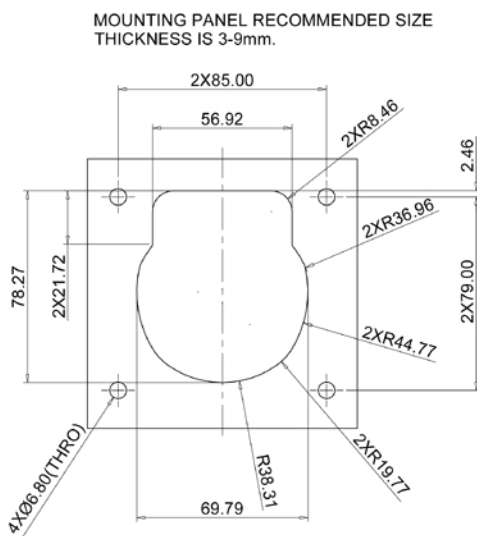
Part Number
 HVCONF01XX

NACS INLET CRIMPING VERSION | WITH LED DIMENSIONS



MOUNTING PANEL

PART NUMBER



Part Number
HVCONF01XXD



EXCELMATE CC SAE COMBO - TECHNICAL CHARACTERISTICS

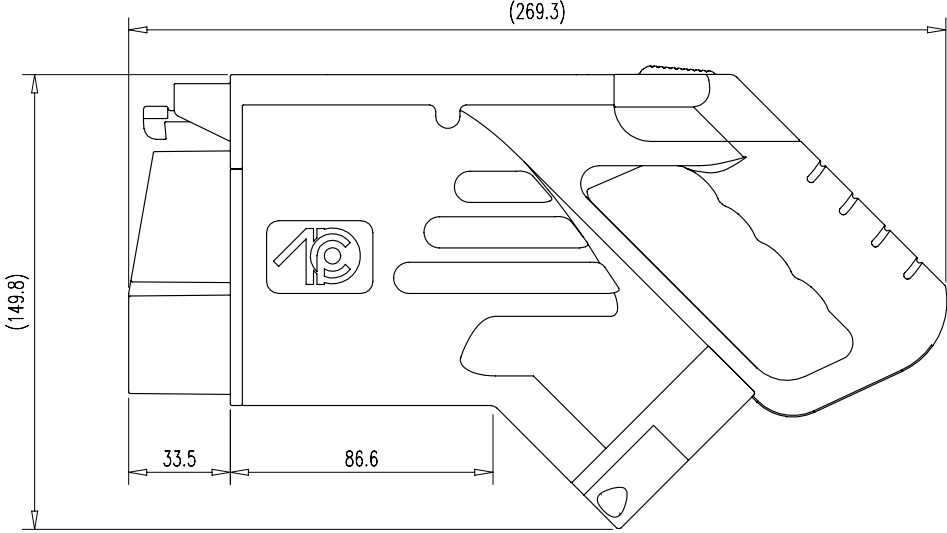
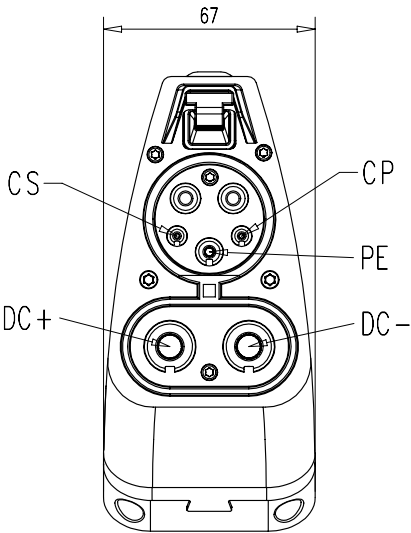


KEY FEATURES:

Compliant with:
SAE J1772
IEC 62196-3
UL2251

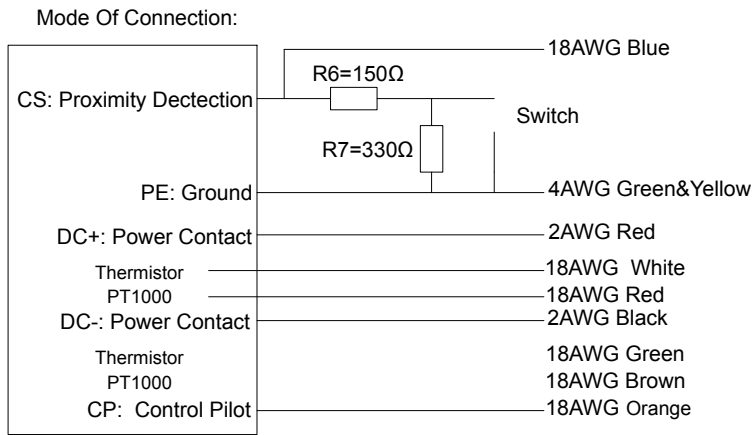
MECHANICAL	
Mating cycles	> 10,000 cycles (unloaded)
Insertion / withdrawal force	< 100N
ELECTRICAL	
Rated current	400A Max
Rated voltage	1000V DC
Temperature sensor	PT1000 The two power contacts DC+ and DC- are monitored by temperature-dependent resistor sensors
ENVIRONMENTAL	
Protection degree	Type 3S
Ambient temperature	-40°C to 55°C
MATERIAL	
Shell	Thermoplastic
Contact	Copper alloy
Inserts	Thermoplastic
Sealing gasket	Rubber or silicon rubber
Insulator inflammability	UL94V0

SAE COMBO VEHICLE CONNECTOR DIMENSIONS

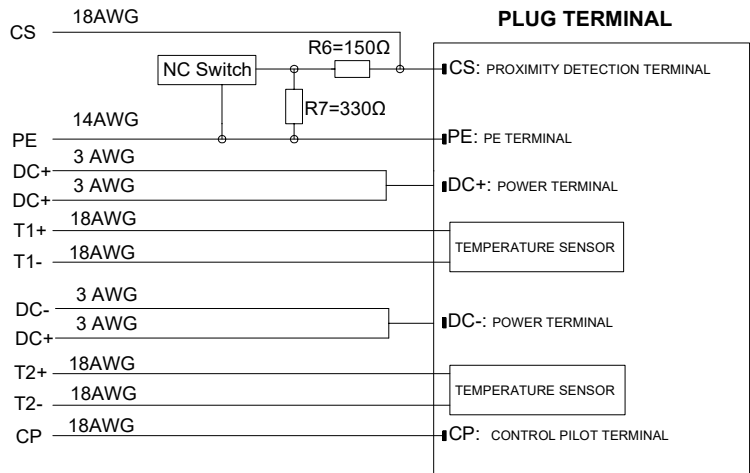


SAE COMBO VEHICLE CONNECTOR - CIRCUIT DIAGRAMS

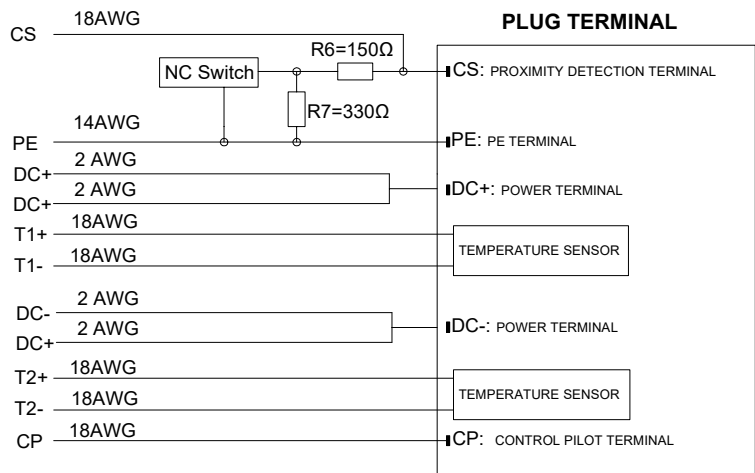
150A



200A

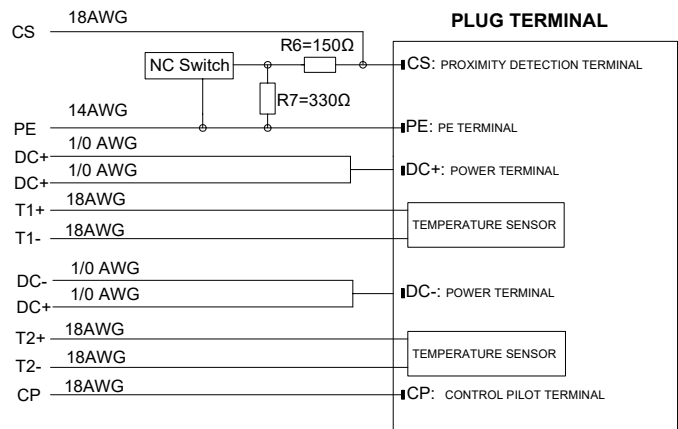


250A

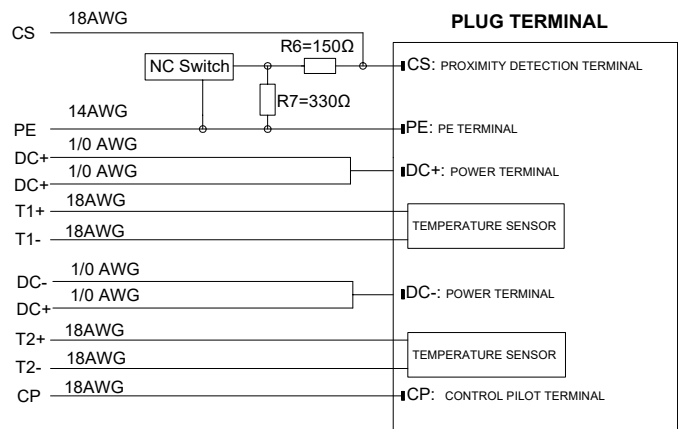


SAE COMBO VEHICLE CONNECTOR - CIRCUIT DIAGRAMS

350A



400A



HOW TO ORDER | SAE COMBO

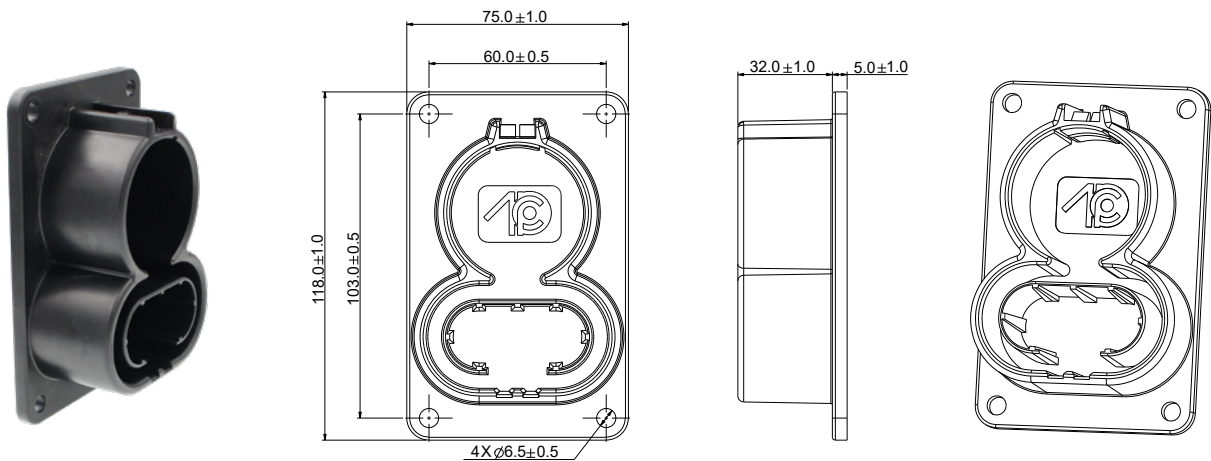
SAE Combo Vehicle Connector

P/N	Rated current (DC)	DC cable size	PE cable size
HVCOSAEM150AML	150A	2 AWG	4 AWG
HVCOSAEM200AM2L	200A	2 x 3 AWG	14 AWG
HVCOSAEM250AML	250A	2 x 2 AWG	14 AWG
HVCOSAEM350AML	350A	2 x 1/0 AWG	14 AWG
HVCOSAEM400AML	400A	2 x 1/0 AWG	14 AWG

HOLDER FOR PLUG

P/N: **C-P03BP00156**

(Connectors do not include, please order seperately)



EXCEL|MATE CC SAE COMBO WALL-MOUNTING - TECHNICAL CHARACTERISTICS

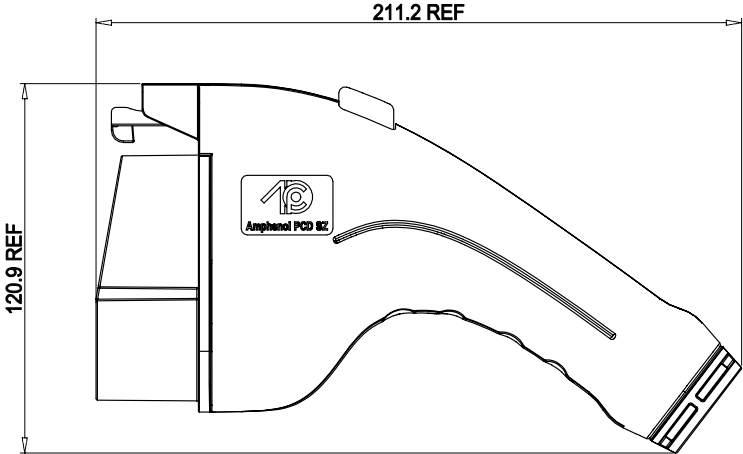
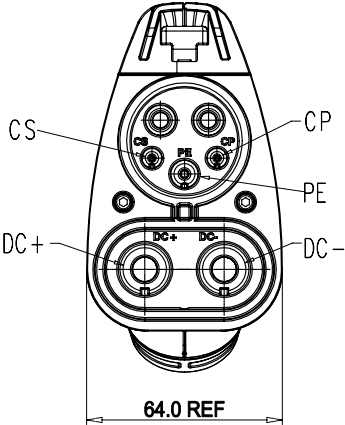


KEY FEATURES:

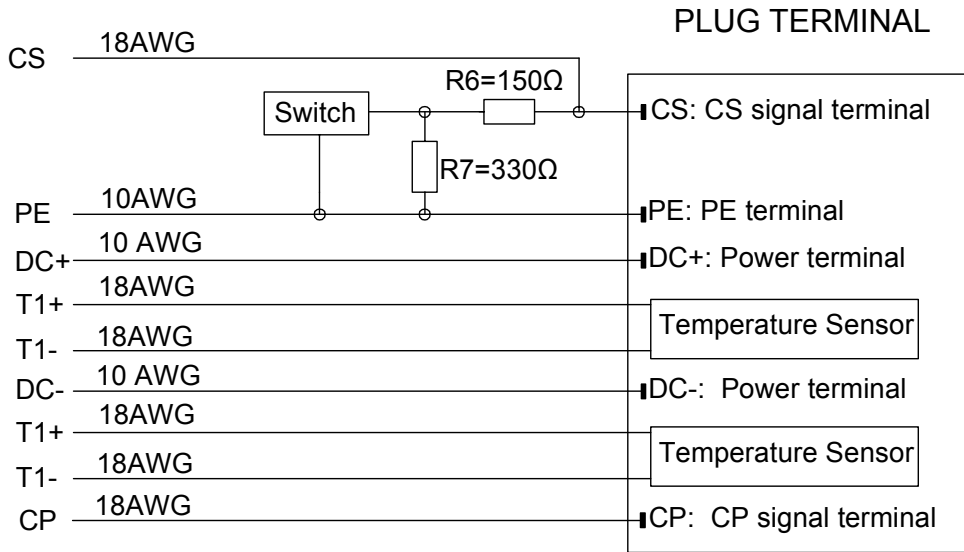
Compliant with:
SAE J1772
IEC 62196-3
UL2251

MECHANICAL	
Mating cycles	> 10,000 cycles (unloaded)
Insertion / withdrawal force	< 100N
ELECTRICAL	
Rated current	40A, 65A, 80A
Rated voltage	1000V DC
Temperature sensor	PT1000 The two power contacts DC+ and DC- are monitored by temperature-dependent resistor sensors
ENVIRONMENTAL	
Protection degree	Type 3S IP67
Ambient temperature	-30°C to 50°C
MATERIAL	
Shell	Thermoplastic
Contact	Copper alloy
Inserts	Thermoplastic
Sealing gasket	Rubber or silicon rubber
Insulator inflammability	UL94V0

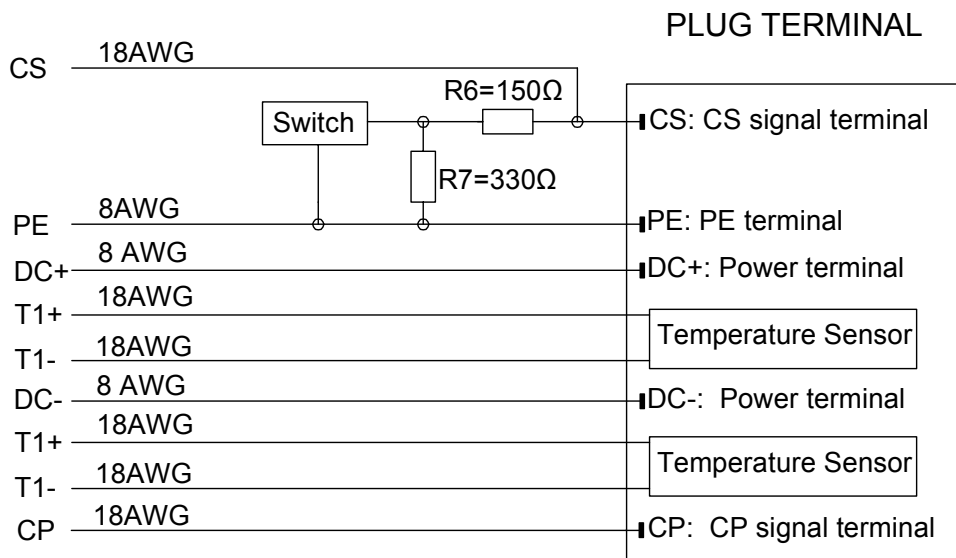
CC SAE COMBO WALL-MOUNTING VEHICLE CONNECTOR DIMENSIONS



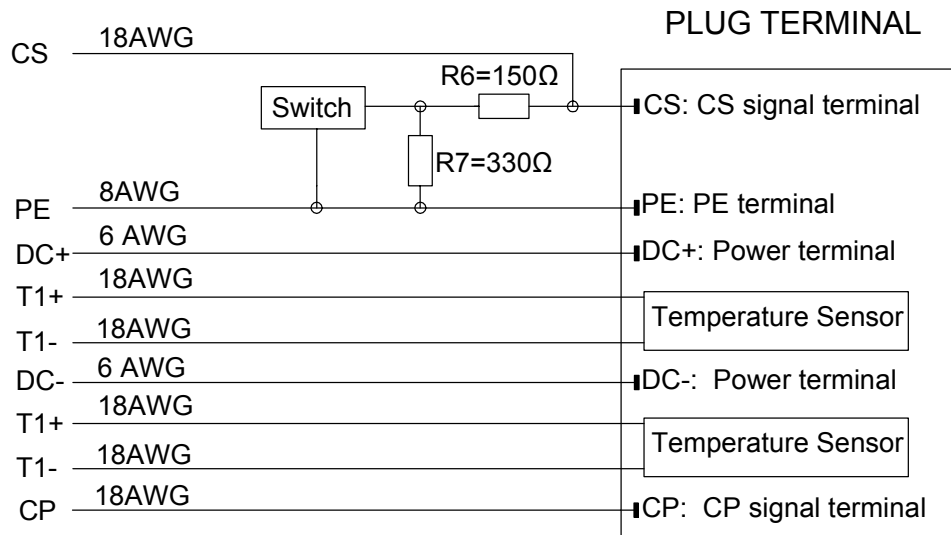
40A



65A



80A



HOW TO ORDER | SAE COMBO WALL-MOUNTING

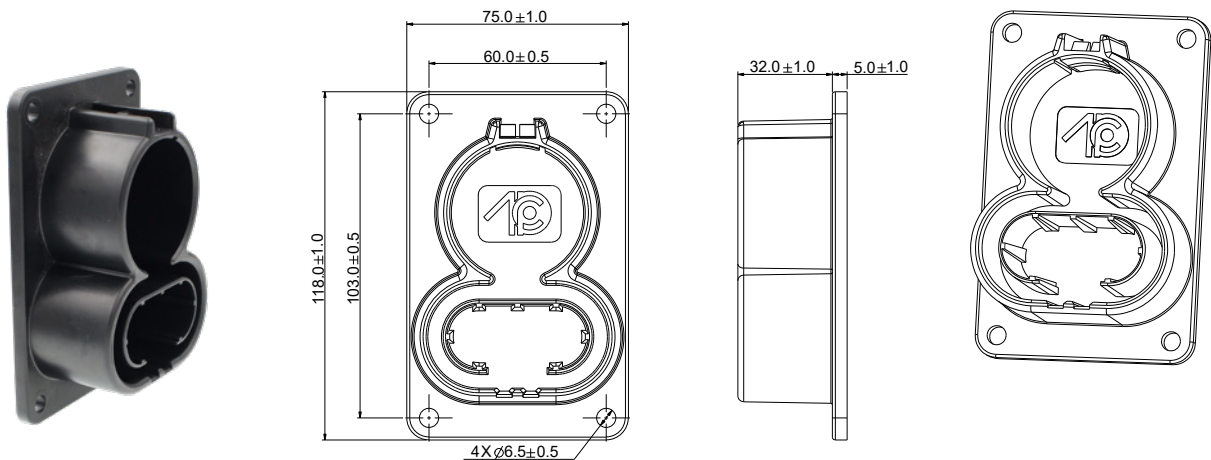
SAE Combo Vehicle Connector

	HVCO	SAE	M	D	40A	LXXXX	XXXX
SAE: SAE Combo							
Connector type: M: Vehicle Connector							
Connector version: D: Mini DC Combo Gun							
Rated current DC: 40A: 40A 65A: 65A 80A: 80A							
Cable length: LXXXX: Cable length (Unit in mm)							
Cable accessories: XXXX: Cable accessories or customer code							

HOLDER FOR PLUG

P/N: **C-P03BP00156**

(Connectors do not include, please order separately)



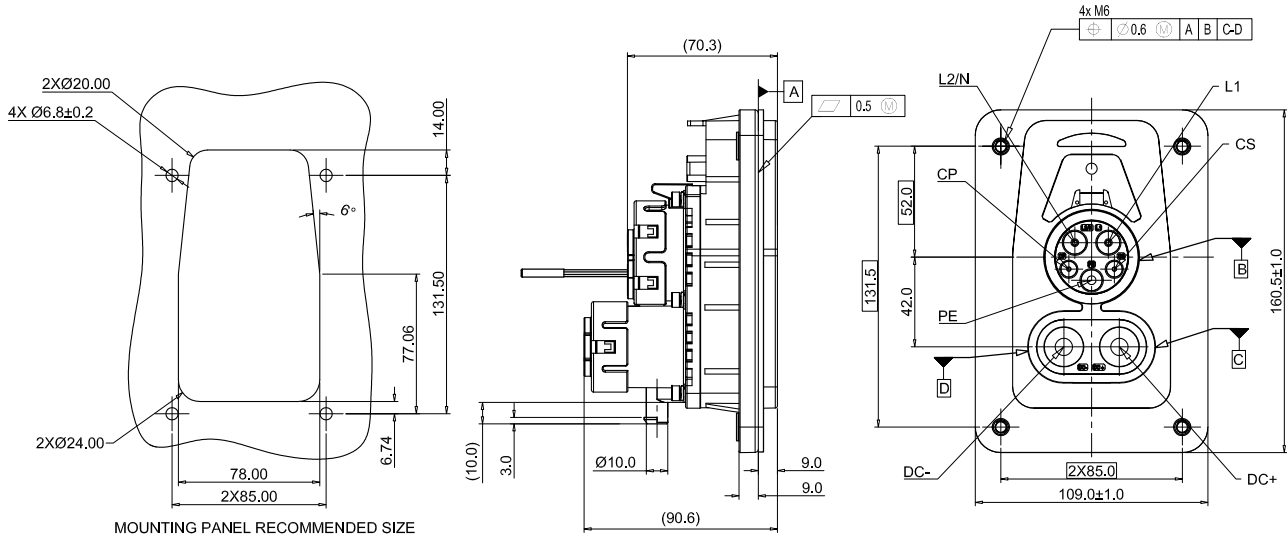


KEY FEATURES:

Compliant with:
 IEC 62196-1
 IEC 62196-2
 IEC 62196-3
 UL2251
 SAE J1772

MECHANICAL	
Mating cycles	> 10,000 cycles (unloaded)
Insertion / withdrawal force	< 100N
ELECTRICAL	
Rated current	300A Max
Rated voltage	1000V DC
Temperature sensor	PT1000 The two power contacts DC+ and DC- are monitored by temperature-dependent resistor sensors
ENVIRONMENTAL	
Protection degree	IP44(plugged in), IP55 (road position), IP67 (inner area of inlet)
Ambient temperature	-30°C to 50°C
MATERIAL	
Shell	Thermoplastic
Contact	Copper alloy
Inserts	Thermoplastic
Sealing gasket	Rubber or silicon rubber
Insulator inflammability	UL94V0

CCS1 VEHICLE INLET VERSION A | AC+DC DIMENSIONS



Rated voltage and current	Functions
240V 48A	L1
240V 48A	L2/N
-	PE (Protective Ground/Earth)
1000V 300A, 200A, 150A, 125A, 65A	DC+
1000V 300A, 200A, 150A, 125A, 65A	DC-
30V 2A	CP (Control pilot)
30V 2A	PP (Proximity)

CCS1 Vehicle inlet AC + DC

Socket-inlet



Part Number		
AC	DC	Part Number
240V / 48A	1000V / 200A	HVCOSF003
240V / 48A	1000V / 125A	HVCOSF005
240V / 48A	1000V / 65A	HVCOSF007
240V / 48A	1000V / 300A	HVCOSF009
240V / 48A	1000V / 150A	HVCOSF013

Compliant with IEC 62196-1/2/3, UL2251 and SAE J1772

Configuration:

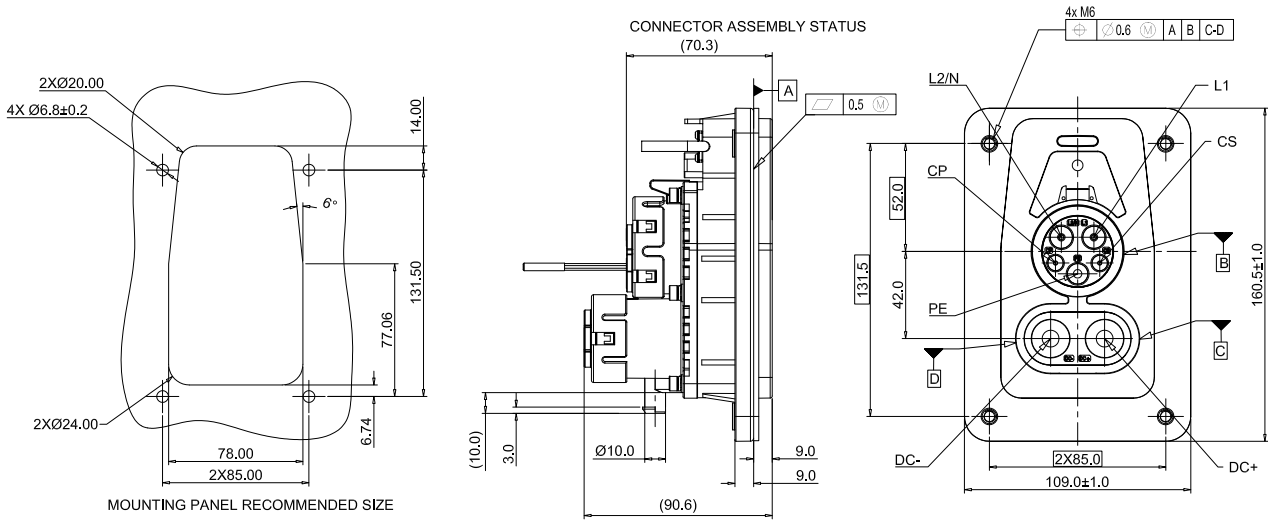
240V | 48A | 1-phase

1000V | 65A, 125A, 150A, 200A or 300A | 3-phase

Electric lock available

12 o'clock

CCS1 VEHICLE INLET VERSION A | AC+DC WITH LED DIMENSIONS



Rated voltage and current	Functions
240V 48A	L1
240V 48A	L2/N
-	PE (Protective Ground/Earth)
1000V 300A, 200A, 150A, 125A, 65A	DC+
1000V 300A, 200A, 150A, 125A, 65A	DC-
30V 2A	CP (Control pilot)
30V 2A	PP (Proximity)

CCS1 Vehicle inlet AC + DC

Socket-inlet



Part Number		
AC	DC	Part Number
240V / 48A	1000V / 200A	HVCOSF003D
240V / 48A	1000V / 125A	HVCOSF005D
240V / 48A	1000V / 65A	HVCOSF007D
240V / 48A	1000V / 300A	HVCOSF009D
240V / 48A	1000V / 150A	HVCOSF013D

Compliant with IEC 62196-1/2/3, UL2251 and SAE J1772

Configuration:

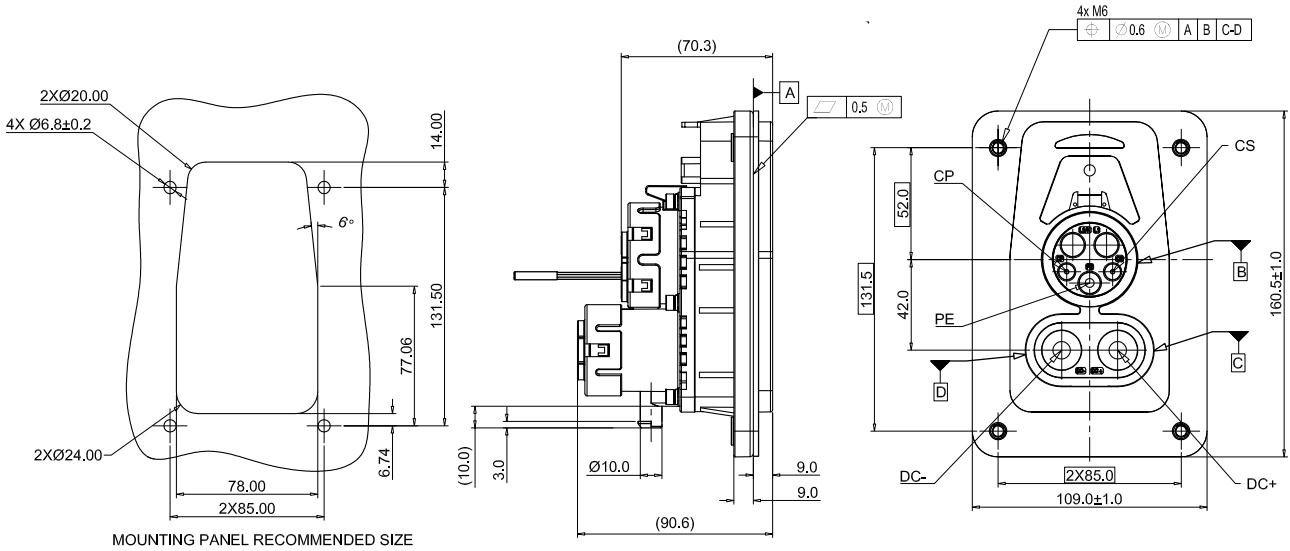
240V | 48A | 1-phase

1000V | 65A, 125A, 150A, 200A or 300A | 3-phase

Electric lock available

12 o'clock

CCS1 VEHICLE INLET VERSION A | DC DIMENSIONS



Rated voltage and current	Functions
-	PE (Protective Ground/Earth)
1000V 300A, 200A, 150A, 125A, 65A	DC+
1000V 300A, 200A, 150A, 125A, 65A	DC-
30V 2A	CP (Control pilot)
30V 2A	PP (Proximity)

CCS1 Vehicle inlet DC

Socket-inlet



Part Number	
DC	Part Number
1000V / 200A	HVCOSF004
1000V / 125A	HVCOSF006
1000V / 65A	HVCOSF008
1000V / 300A	HVCOSF010
1000V / 150A	HVCOSF014

Compliant with IEC 62196-1/2/3, UL2251 and SAE J1772

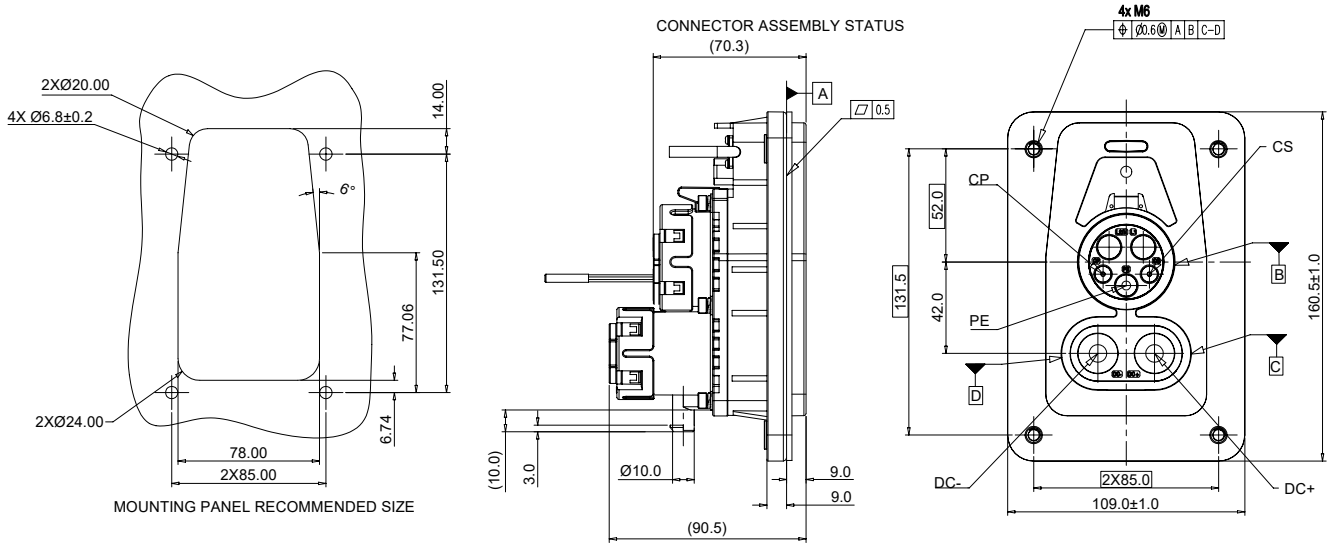
Configuration:

1000V | 65A, 125A, 150A, 200A or 300A | 3-phase

Electric lock available

12 o'clock

CCS1 VEHICLE INLET VERSION A | DC WITH LED DIMENSIONS



Rated voltage and current	Functions
-	PE (Protective Ground/Earth)
1000V 300A, 200A, 150A, 125A, 65A	DC+
1000V 300A, 200A, 150A, 125A, 65A	DC-
30V 2A	CP (Control pilot)
30V 2A	PP (Proximity)

CCS1 Vehicle inlet DC

Socket-inlet



Part Number	
DC	Part Number
1000V / 200A	HVCOSF004D
1000V / 125A	HVCOSF006D
1000V / 65A	HVCOSF008D
1000V / 300A	HVCOSF010D
1000V / 150A	HVCOSF014D

Compliant with IEC 62196-1/2/3, UL2251 and SAE J1772

Configuration:

1000V | 65A, 125A, 150A, 200A or 300A | 3-phase

Electric lock available

12 o'clock

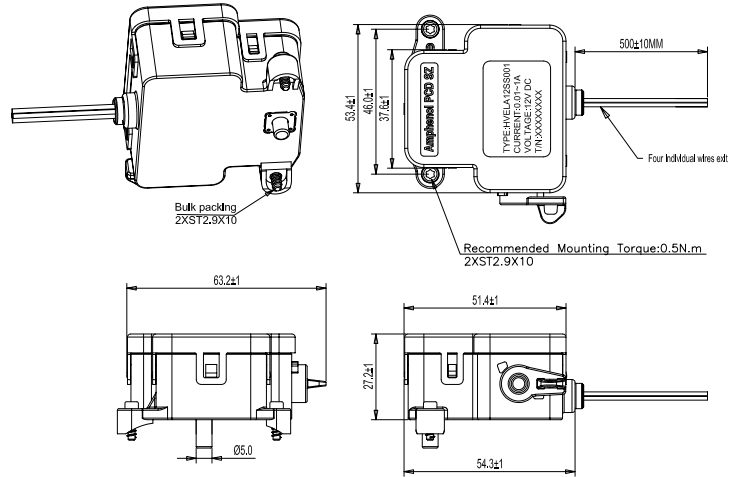
LOCKING ACTUATOR

Electric lock | AMPHENOL PCD SHENZHEN (12V)

4-wire solution is available for 12V



P/N (12V): **HVELA12SS001**



TYPE	RED	BLACK	WHITE	BLUE
UNLOCKING	+	-	SIGNAL($R_U=1K\Omega$)	
LOCKING	-	+	SIGNAL($R_L=11K\Omega$)	

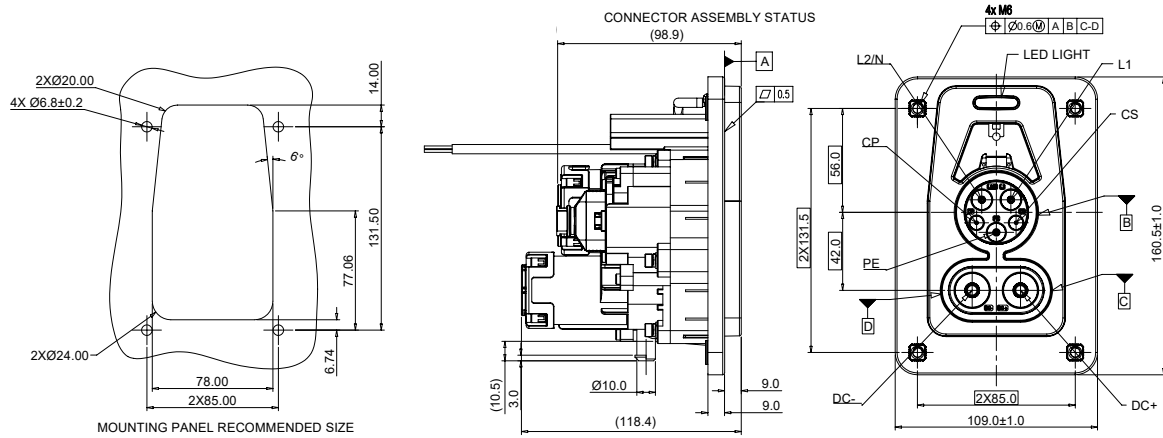


KEY FEATURES:

Compliant with:
 IEC 62196-1
 IEC 62196-2
 IEC 62196-3
 UL2251
 SAE J1772

MECHANICAL	
Mating cycles	> 10,000 cycles (unloaded)
Insertion / withdrawal force	< 100N
ELECTRICAL	
Rated current	80A AC Max 300A to 500A DC (peak:800A)
Rated voltage	240V AC 1000V DC
Temperature sensor	PT1000 The two power contacts DC+ and DC- are monitored by temperature-dependent resistor sensors
ENVIRONMENTAL	
Protection degree	IP44(plugged in), IP55 (road position), IP67 (inner area of inlet)
Ambient temperature	-30°C to 50°C
MATERIAL	
Shell	Thermoplastic
Contact	Copper alloy
Inserts	Thermoplastic
Sealing gasket	Rubber or silicon rubber
Insulator inflammability	UL94V0

CCS1 VEHICLE INLET VERSION B | AC+DC DIMENSIONS



Rated voltage and current	Functions
240V 80A, 48A	L1
240V 80A, 48A	L2/N
-	PE (Protective Ground/Earth)
1000V 500A, 400A, 300A	DC+
1000V 500A, 400A, 300A	DC-
30V 2A	CP (Control pilot)
30V 2A	PP (Proximity)

CCS1 Vehicle inlet AC + DC

Socket-inlet



Part Number		
AC	DC	Part Number
240V / 80A	1000V / 500A	HVCOSF040D
240V / 80A	1000V / 400A	HVCOSF041D
240V / 80A	1000V / 300A	HVCOSF042D
240V / 48A	1000V / 500A	HVCOSF046D
240V / 48A	1000V / 400A	HVCOSF047D
240V / 48A	1000V / 300A	HVCOSF048D

Compliant with IEC 62196-1/2/3, UL2251 and SAE J1772

Configuration:

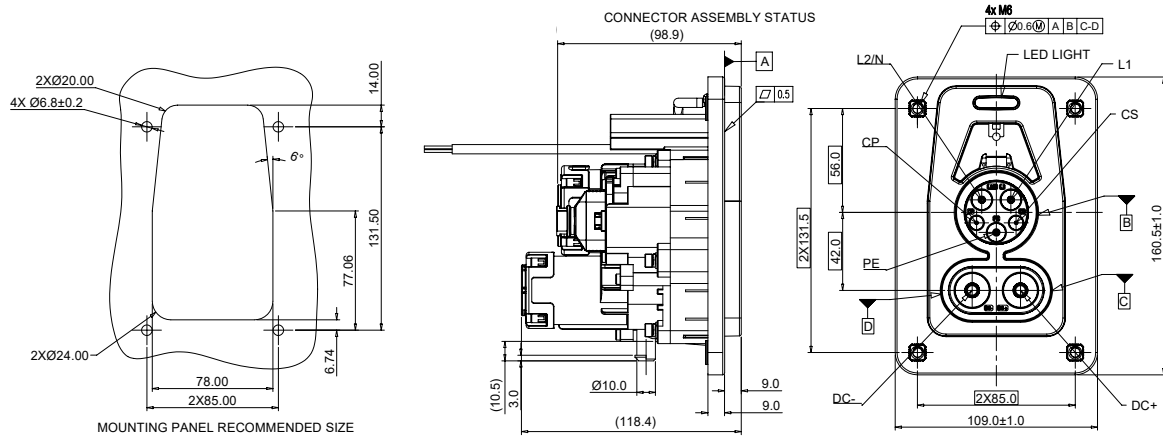
240V | 48A or 80A | 1-phase

1000V | 300A, 400A or 500A

Electric lock available

12 o'clock

CCS1 VEHICLE INLET VERSION B | DC WITH LED DIMENSIONS



Rated voltage and current	Functions
-	PE (Protective Ground/Earth)
1000V 500A, 400A, 300A	DC+
1000V 500A, 400A, 300A	DC-
30V 2A	CP (Control pilot)
30V 2A	PP (Proximity)

CCS1 Vehicle inlet DC

Socket-inlet



Part Number	
DC	Part Number
1000V / 500A	HVCOSF043D
1000V / 400A	HVCOSF044D
1000V / 300A	HVCOSF045D

Compliant with IEC 62196-1/2/3, UL2251 and SAE J1772

Configuration:
1000V | 300A, 400A or 500A

Electric lock available

12 o'clock

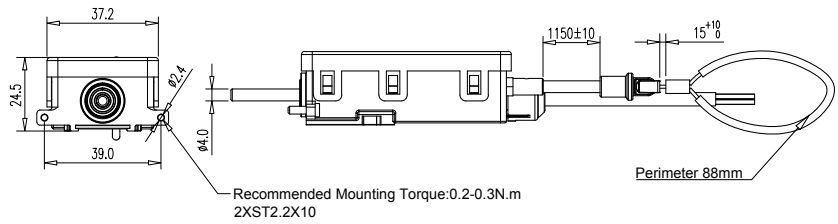
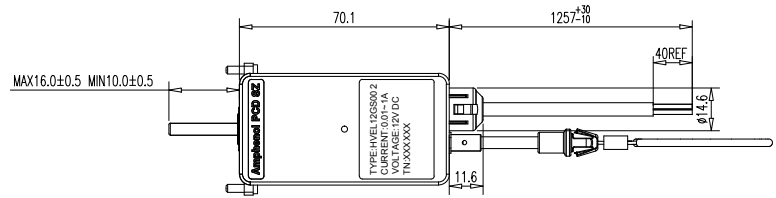
LOCKING ACTUATORS

Electric lock | AMPHENOL PCD SHENZHEN (12V)

4-wire solution is available for 12V



P/N (12V): **HVEL12GS002**



TYPE	RED	BLACK	WHITE	BLUE
UNLOCKING	+	-	SIGNAL ($R_U = +\infty \Omega$)	
LOCKING	-	+	SIGNAL ($R_L = 0 \Omega$)	

CABLE HARNESS



Accessory		Compatible connectors				Harness
SIGNAL	E-lock	NEVDCA12VELOCKL0500;NEVDCA24VELOCKL0500				
	LED	ATM04-12PA				
	Signal					
A	Wire Range	Compatible connectors				Harness
32A	2 x 6mm ²	HVSL362	EX402/EX492	HVSL630	HVG492	(2 to 5)
	3 x 6mm ²	HVSL633	EX403	HVSL364		
	4 x 6mm ²	HVSL364				
	5 x 6mm ²	HVSL365	HVSL635B	HVSL366		
63A	2 x 16mm ²	HVSL362	HVSL600	HVBIR6		
	3 x 16mm ²	HVSL364	HVSL600	HVBIR6		
	4 x 16mm ²	HVSL364				
	5 x 16mm ²	N/A				
DC	125A	HVSLP800	HVSL800/8003	HVBIR8	HVPT	
	200A	HVSLP1000 HVSL1000	HVPT/HVPTM	HVBIR10 CHD10	CHD14	
	300A	HVSL1200	HVSL1400	CHD14	CHD14	



Accessory		Compatible connectors				Harness
SIGNAL	E-lock	NEVDCA12VELOCKL0500;NEVDCA24VELOCKL0500				
	LED	P08B002343/4/5				
	Signal	ATM04-12PA				
A	Wire Range	Compatible connectors				Harness
32A	2 x 6mm ²	HVSL362	EX402/EX492	HVSL630	HVG492	(2 to 5)
	3 x 6mm ²	HVSL633	EX403	HVSL364		
	4 x 6mm ²	HVSL364				
	5 x 6mm ²	HVSL365	HVSL635B	HVSL366		
63A	2 x 16mm ²	HVSL362	HVSL600	HVBIR6		
	3 x 16mm ²	HVSL364	HVSL600	HVBIR6		
	4 x 16mm ²	HVSL364				
	5 x 16mm ²	N/A				
300A	2 x 95mm ²	HVSL1200	HVSL1400	CHD14	HVPTM	
400A	2 x 120mm ²			CHD14		
500A	2 x 150mm ²	HVPTM		CHD14		



Accessory		Compatible connectors				Harness
SIGNAL	E-lock	NEVDCA12VELOCKL0500;NEVDCA24VELOCKL0500				
	LED	ATM04-12PA				
	Signal					
A	Wire Range	Compatible connectors				Harness
32A	2 x 6mm ²	HVSL362	EX402/EX492	HVSL630	HVG492	(2 to 5)
	3 x 6mm ²	HVSL633	EX403	HVSL364		
	4 x 6mm ²	HVSL364				
	5 x 6mm ²	HVSL365	HVSL635B	HVSL366		
63A	2 x 16mm ²	HVSL362	HVSL600	HVBIR6		
	3 x 16mm ²	HVSL364	HVSL600	HVBIR6		
	4 x 16mm ²	HVSL364				
	5 x 16mm ²	N/A				
DC	150A	HVSLP800	HVSL800/8003	HVBIR8	CHD10	
	200A	HVSLP1000 HVSL1000	HVPT/HVPTM	HVBIR10 CHD10	CHD14	
	250A	HVSL1200	HVSL1400	CHD14	CHD14	
	300A	HVSLP1200	HVSL1400	CHD14	CHD14	

CABLE HARNESS

		Accessory	Compatible connectors		Harness	
SIGNAL		LED	N/A			
		E-lock		NEVDCA12VELOCKL0500		
		Signal				ATM04-6P
A	Wire Range	Compatible connectors			Harness	
32A	2 x 6mm ²				 (2 to 5)	
	3 x 6mm ²					
	4 x 6mm ²					
	5 x 6mm ²					
16A 20A	2 x 2.5mm ²					
	3 x 2.5mm ²					
	4 x 2.5mm ²					
	5 x 2.5mm ²					



SIGNAL

AC

SIGNAL

AC

DC

		Accessory	Compatible connectors		Harness
SIGNAL		E-lock		HVELA24S001	
		LED			
		Signal			
A	Wire Range	Compatible connectors			Harness
48A	2 x 10mm ²				 (2 to 3)
	3 x 10mm ²				
125A	2 x 50mm ²				 (2)
200A	2 x 70mm ²				
300A	2 x 95mm ²				



CCS1 inlet 500A



SIGNAL

AC

DC

		Accessory	Compatible connectors		Harness
SIGNAL		E-lock		HVEL24GS002	
		LED			
		Signal			
A	Wire Range	Compatible connectors			Harness
48A	2 x 10mm ²				 (2 to 3)
	3 x 10mm ²				
80A	2 x 25mm ²				
	3 x 25mm ²				
300A	2 x 95mm ²				 (2)
400A	2 x 120mm ²				
500A	2 x 150mm ²				

CABLE HARNESS



Accessory		Compatible connectors				Harness
E-lock		HVSLA12SS001 HVSLA24SS001				
LED (optional)		P08B002343/4/5 ATM04-12PA				
Signal						
A	Wire Range	Compatible connectors				Harness
32A	2 x 6mm ²	HVSL362	EX402/EX492	HVSL630	(2 to 3)	
	3 x 6mm ²	HVSL633	EX403	HVSL364		
48A	2 x 10mm ²	HVSL362	EX492			
	3 x 10mm ²	HVSL364				
63A	2 x 16mm ²	HVSL362	HVSL5600			
	3 x 16mm ²	HVSL364	HVSL5600			
80A	2 x 25mm ²	HVSLP800	HVSL5600	HVSL5800 HVBIR6		
	3 x 25mm ²	HVSL800	HVSL5600	HVBIR6		
125A	2 x 50mm ²	HVSLP800	HVSL800/8003	HVBIR8 HVPT		(2)
200A	2 x 70mm ²	HVSLP1000 HVSL1000	HVSL1200 HVSLP1200	HVBIR10 CHD10		
300A	2 x 95mm ²	HVSL1200 HVSLP1200	HVSL1400	CHD14		



SIGNAL
AC

Accessory		Compatible connectors				Harness
E-lock		HVSL12GS002S2				
Signal		P08B002343/4/5 ATM04-12PA				
A	Wire Range	Compatible connectors				Harness
16A	2 x 2.5mm ²	HVSL282	EX402		(2 to 3)	
	3 x 2.5mm ²	HVSL280	EX403	HVSL633 HVSL364		
32A	2 x 6mm ²	HVSL362	EX402/EX492	HVSL630		
	3 x 6mm ²	HVSL633	EX403	HVSL364		
48A	2 x 10mm ²	HVSL362	EX492			
	3 x 10mm ²	HVSL364				
63A	2 x 16mm ²	HVSL362	HVSL5600			
	3 x 16mm ²	HVSL364	HVSL5600			
80A	2 x 25mm ²	HVSLP800	HVSL5600	HVSL5800 HVBIR6		
	3 x 25mm ²	HVSL800	HVSL5600	HVBIR6		

CABLE HARNESS



HVCONF0100S1



NACS Inlet



HVCONF01XX (D)

Accessory		Compatible connectors		Harness
E-lock		HVEL12NS001		
Signal		P08B002347 5POS		
A	Wire Range	Compatible connectors		Harness
200A	2 x 50mm ²	HVSLP800 HVSL800/8003 HVBIR8 CHD10 HVPT		
250A	2 x 70mm ²	HVSLP1000 HVSL1000 HVPT/HVPTM HVBIR10 CHD10 CHD14		
350A	2 x 95mm ²	HVSL1200 HVSL1400 CHD14		

SIGNAL

Accessory		Compatible connectors		Harness
E-lock		N/A		
Signal		P08B002343/4/5 ATM04-12PA		
A	Wire Range	Compatible connectors		Harness
200A	2 x 70mm ²	CHD14/CHD10 HVSLP1000 HVSL1000 HVBIR10 HVPT/HVPTM		
300A	2 x 95mm ²	CHD14 HVPTM HVSL1400 HVSL1200	(2)	
400A	2 x 120mm ²	CHD14 HVPTM HVSL1400		
500A	2 x 150mm ²	CHD14 HVPTM		



GB/T inlet DC

HVCOGF01XX

SIGNAL

Accessory		Compatible connectors		Harness
LED		N/A		
E-lock		NEVDCA12VELOCKL0500HS1 ATM04-6P		
Signal				
A	P/N	Compatible Part Numbers and Terminals		Harness
32A Gen 2	HVCOSFS Shutter	3-Phase	HVCOSFS706	
		1-Phase	HVCOSFS506	
	HVCOIFS	3-Phase	HVCOIFS706	
		1-Phase	HVCOIFS506	
32A Gen 3 Flange lowered	HVCOSLFS Shutter	3-Phase	HVCOSLFS706	
		1-Phase	HVCOSLFS506	
	HVCOILFS	3-Phase	HVCOILFS706	
		1-Phase	HVCOILFS706	

Socket-outlet Type 2

AC



Amphenol PCD Shenzhen

Building C
Dagang Industrial Zone
Guangming District
Shenzhen 518132
China

Tel.: +86 755-8173-8000
Email: inquiry@amphenolpcd.com.cn

www.amphenolpcd.com.cn

Notes:

Amphenol PCD Shenzhen has made every effort to ensure that the information contained in this catalog is accurate at the time of publication. Specifications or information stated in this publication are subject to change without notice.

Amphenol PCD Shenzhen reserves the right to clarify this catalog.