

Amphenol
Industrial

ea >< tron



ARCLESS & SAFE EFFORTLESS & SECURE



2. APPLICATIONS



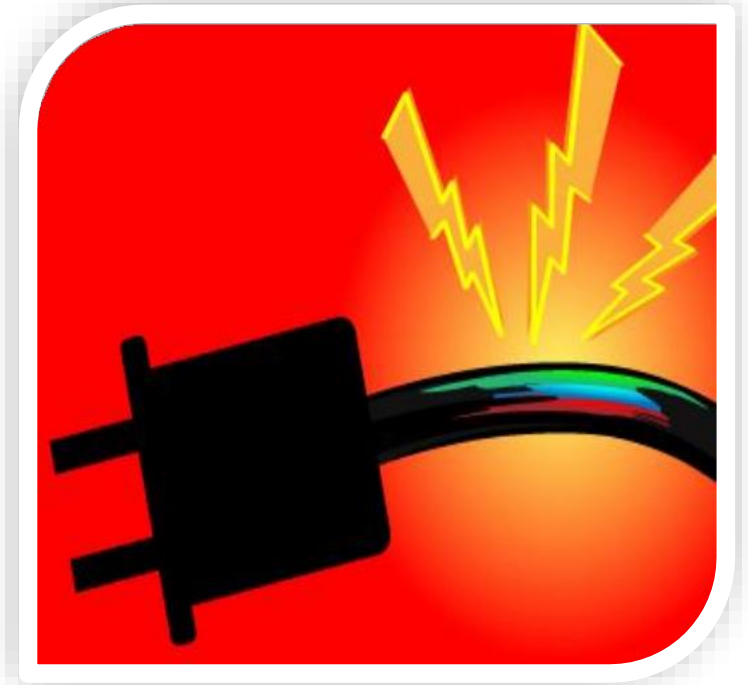
3. INDUSTRY ISSUES



MUSCULO-SKELETAL DISORDERS



HAZARDOUS ELECTRIC ARCS



PREMATURE CABLE DAMAGE



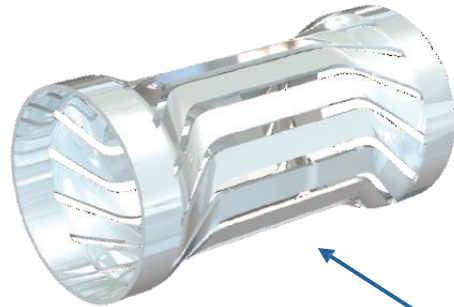
Safe



Efficient

4. PATENTED INNOVATIONS

✓ EFFORTLESS CONNECTION



VORTEX CLIP

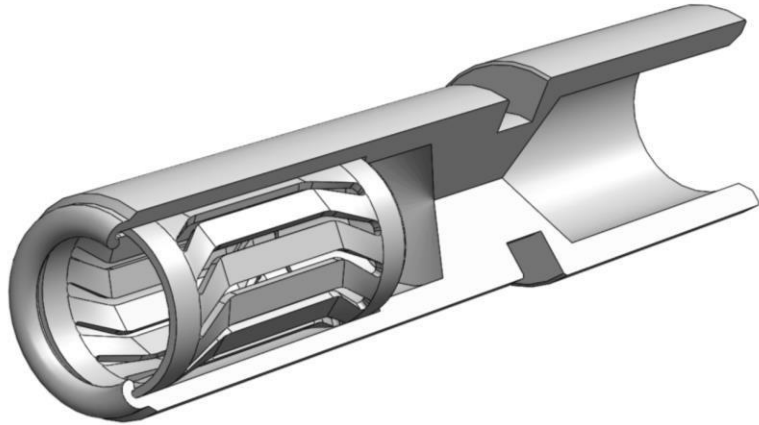


REQUIRES AROUND
-80%
LESS EFFORT THAN NORMAL
FOR CONNECTING AND DISCONNECTING
Réduction de l'effort de connexion et de déconnexion
de plus de 80% par rapport à un connecteur standard

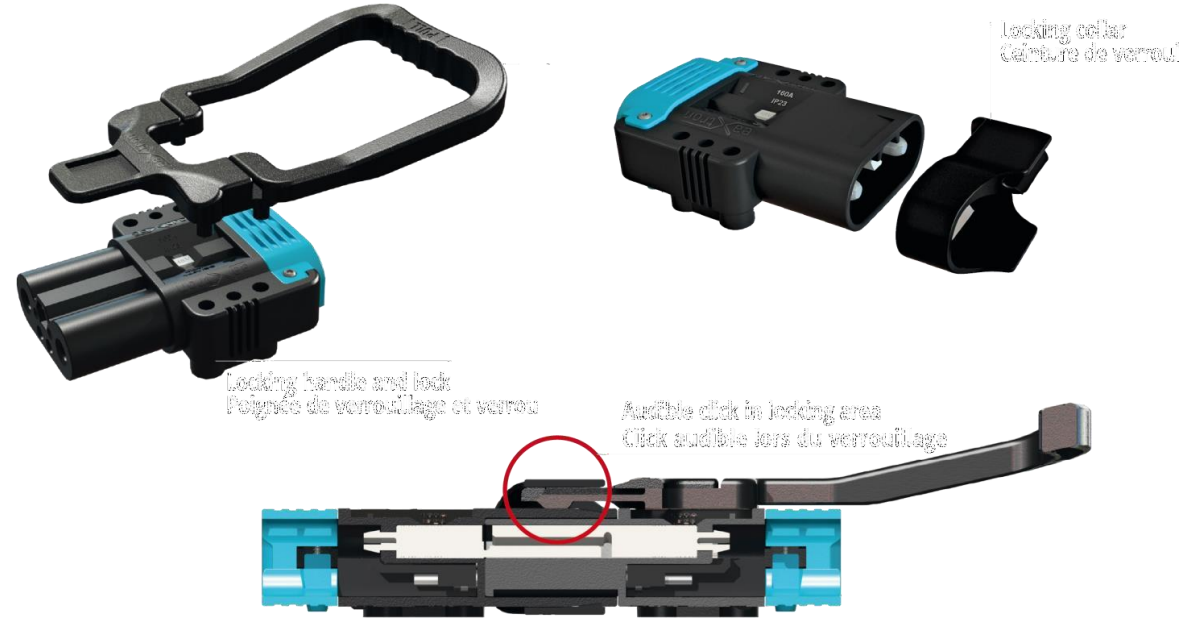




✓ PATENTED ARCLESS LOCKING MECHANISM



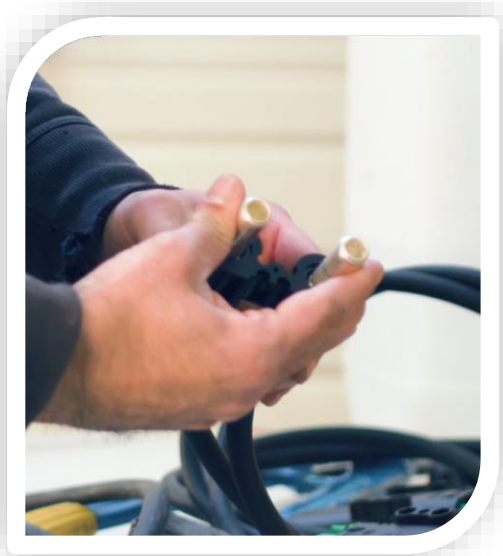
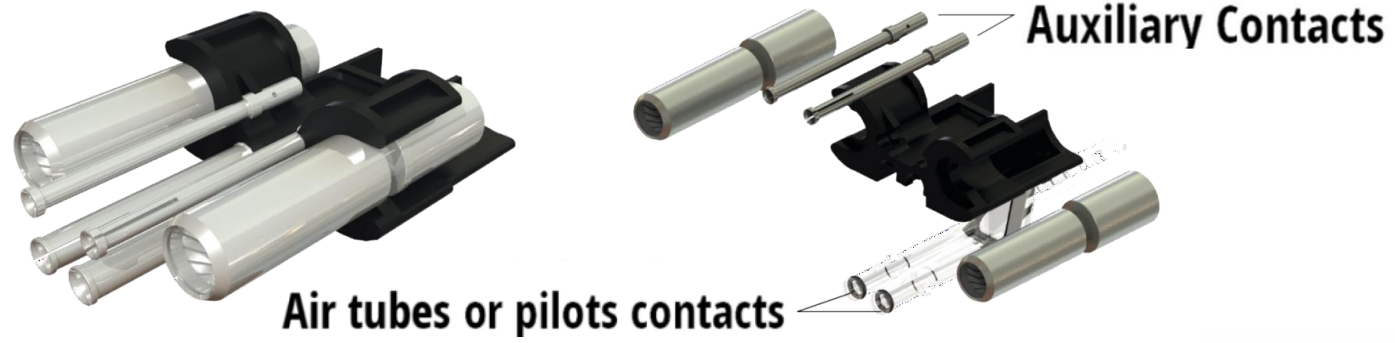
**FEMALE CONTACT EDGE
SPECIALLY DESIGNED
TO MANAGE ARCS**



PATENTED LOCKING DEVICE



✓ CONTACT LOADER



✓ CABLE CLAMPS

PROTECT AND PRESERVE YOUR CABLES

MAXI-CLAMPS: COLORED TO CONNECT WITH CONFIDENCE



Safe



Self centering cable clamp



Durable



CUSTOMER CHOICE !!!



Efficient

DESIGNED FOR 1/0 TO 4/0 CABLES



QUICKLY ASSESS YOUR OPERATIONS

24 V

36 V

48 V

72 V

80 V



✓ LIFETIME GUARANTEE FLEXIBLE HANDLE



AVOID UNNECESSARY REPLACEMENT COSTS





✓ POLYAMIDE ACID PROOF HOUSING



ACID & FIRE PROOF HOUSING

FIBER GLASS + PLASTIC





Efficient



Durable

✓ PURE COPPER CONTACTS

CUA1 (CU-ETP)

6 um SILVER PLATING



HIGHER RATE OF CONDUCTIVITY

5. COMPETITIVE EDGE

	EXISTING DIN CONNECTORS	EAXTRON USA CONNECTORS
POLYAMIDE HOUSING	?	✓
COPPER MAIN CONTACTS	?	✓
EFFORTLESS CONNECTION	✗	✓
CONTACT LOADER	✗	✓
DURABLE HANDLE	✗	✓
LOCKING DEVICE	✗	✓
COLOR CABLE CLAMP	✗	✓
LIFE-TIME GUARANTEED HANDLE	✗	✓
LIFESPAN	6 000 TO 7 000 CYCLES	UP TO 12 000 CYCLES
GUARANTEE	3 MONTHS	1 YEAR



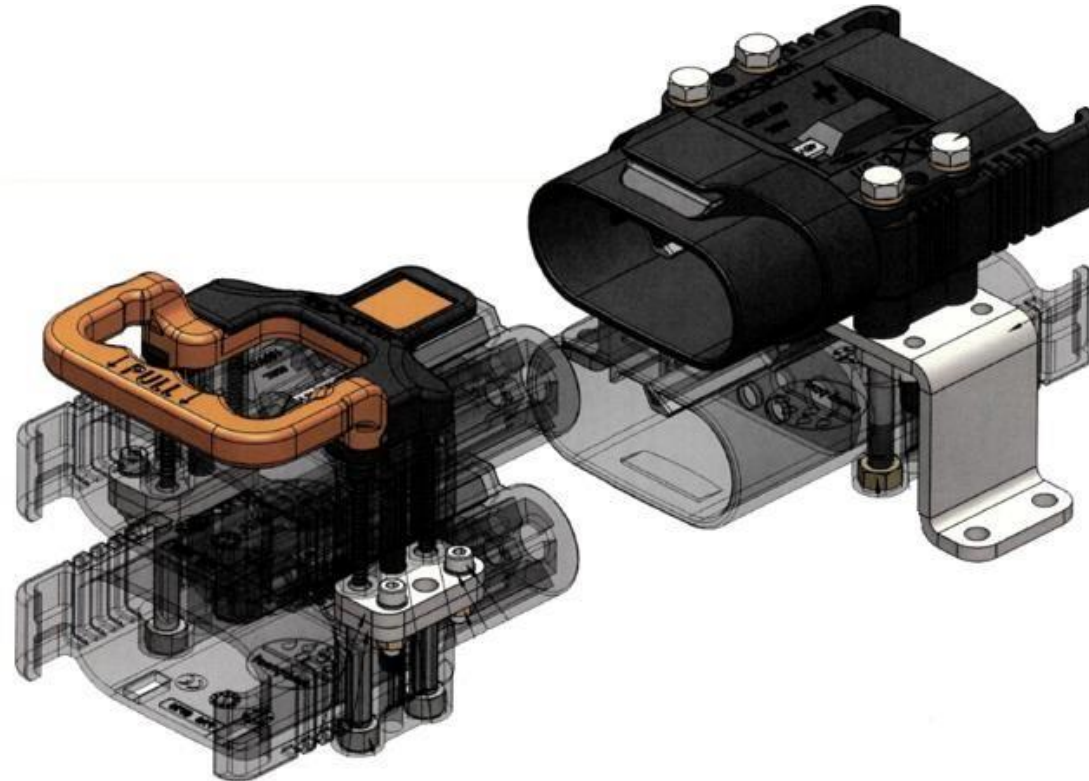
SIGNIFICANTLY LOWER TOTAL COST OF OWNERSHIP



6. ENGINEERED SOLUTIONS



DUAL STACKED CONNECTOR (DSC) FOR FAST CHARGING



7. 430 AMP + THE LITHIUM CONNECTOR

INDUSTRY FIRST

- ✓ SPECIALLY DESIGNED FOR FAST CHARGE
- ✓ PATENTED DOUBLE-HELIX VORTEX CLIP
- ✓ EFFORTLESS CONNECTION
- ✓ PATENTED ARCLESS LOCKING MECHANISM
- ✓ DURABLE HANDLE
- ✓ CONTACT LOADER
- ✓ MAXI CABLE CLAMP
- ✓ FIT IN OUR EXISTING 320A HOUSING



Safe



Durable



Efficient

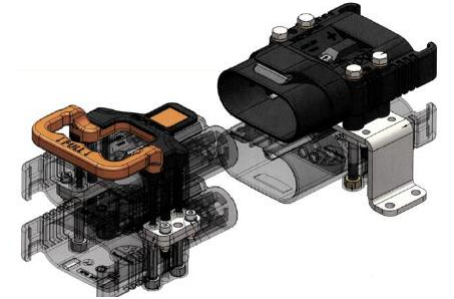


Effortless

Eaxtron DIN Charging Connector

Key Features

- ❑ Patented Arcless Locking Mechanism
- ❑ UL 1977 12000 mating cycles compared to 7k from competition
- ❑ Multiple voltage ratings from 24V to 80V with color coded cable clamps
- ❑ 160A / 320A / 430A options
 - ❑ Also able to Dual Stack
- ❑ 2x Power Pins and up to 4x Signal Pins
- ❑ Lifetime Guaranteed Flexible Handle
- ❑ Polyamid Acid Proof Housing
- ❑ Silver Plated Vortex contacts
 - ❑ 80% less mating force
- ❑ Easy Contact Loader system
- ❑ Comes as a cable assembly as well as connector only
- ❑ Accepts 1/0 AWG to 4/0 AWG cable



Amphenol
Industrial

ea >< tron

