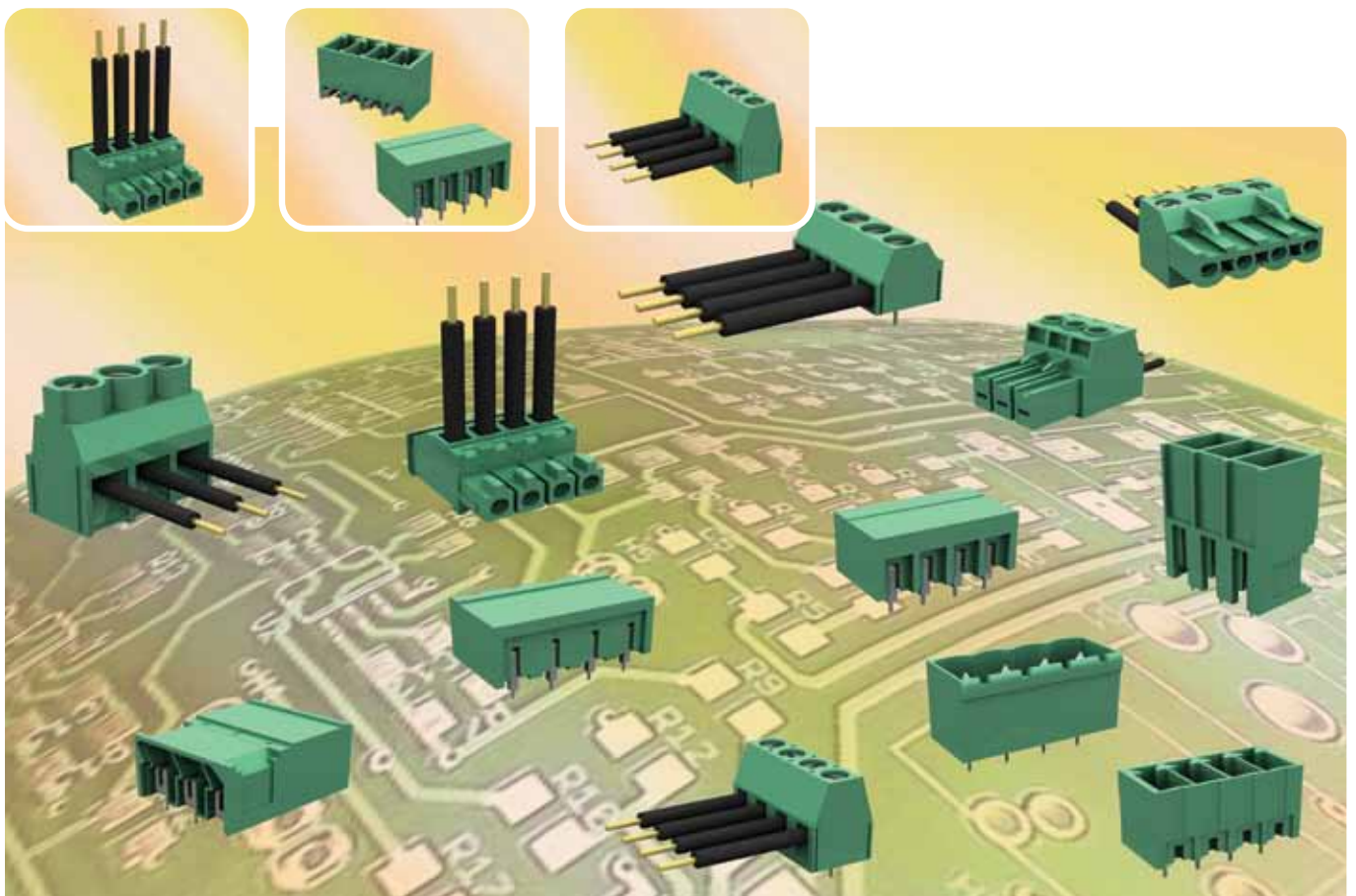




# Terminal Blocks



 ELECTRONICS

## TERMINAL BLOCKS

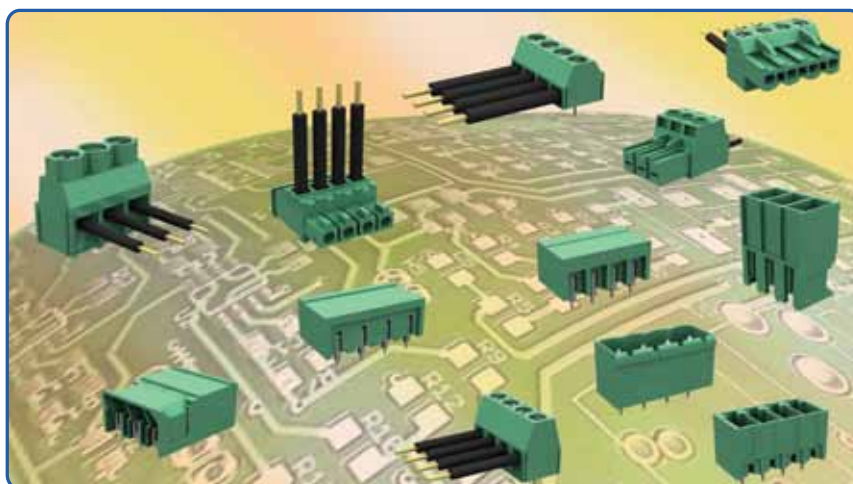
## FCI: SETTING THE STANDARD FOR CONNECTORS

With 13,000 employees in 30 countries and sales of 1.25 billion euros in 2008, FCI is a leading manufacturer of connectors for various markets such as automotive, telecommunication infrastructures and consumer and industrial electronics.

## FCI TERMINAL BLOCKS

FCI's PCB signal and power Terminal Blocks are available in both pluggable and fixed configurations. They both utilize proven high performance Cage – clamp technology that ensures a perfect connection time after time.

FCI supports its high reliability Terminal Blocks with excellent customer service, standard products delivered from stock, fast sample service and easy access to product information at [www.fci.com/terminalblocks](http://www.fci.com/terminalblocks).



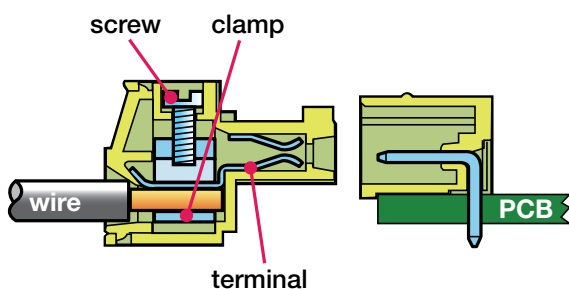
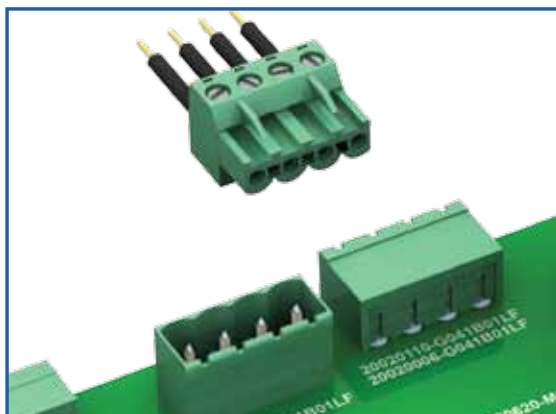
## Table of Contents

|                                      | page  |
|--------------------------------------|-------|
| ▶ General Information .....          | 2     |
| ▶ Technical Information .....        | 3     |
| ▶ Application Overview .....         | 3     |
| ▶ Pluggable Terminal Blocks          |       |
| ▶ Plug - key / hook entry side ..... | 4-5   |
| ▶ Plug - contact up side .....       | 6-7   |
| ▶ Plug - contact down side .....     | 8     |
| ▶ Socket - straight .....            | 9-11  |
| ▶ Socket - right angle .....         | 12-14 |
| ▶ Fixed Terminal Blocks              |       |
| ▶ Horizontal wire inlet .....        | 15-17 |
| ▶ Approvals .....                    | 18    |
| ▶ Part number index .....            | 19    |

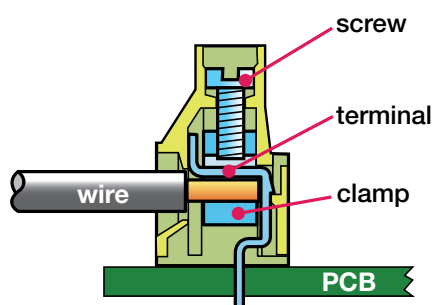
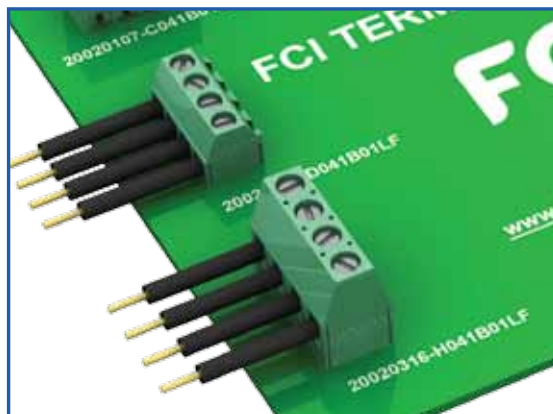
### LIABILITY

We believe that the information contained in this publication is the best currently available on the subject. It is offered as a possible helpful suggestion in any experimentation you may care to undertake and is subject to revision as additional knowledge and experience is gained. FCI makes no guarantee of results and assumes no obligation or liability whatsoever in connection with this information. This publication is not a license to operate under, or intended to suggest infringement of, any existing patent. Information given on the drawings in this document is not suitable for tooling design and construction. To obtain the correct drawings for these purposes, contact your local FCI representative.

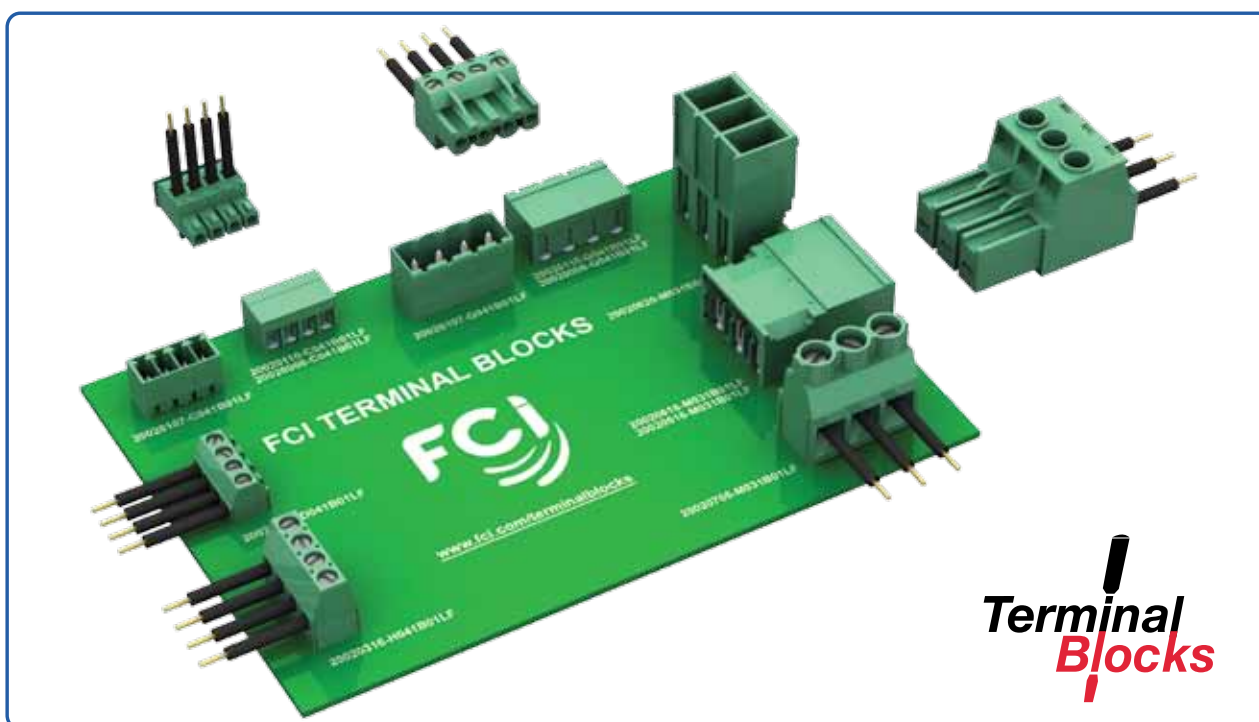
### PLUGGABLE



### FIXED



## Application Overview

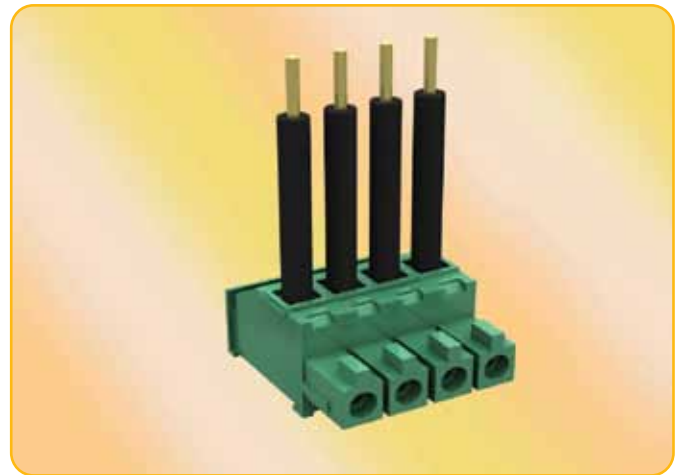


# Pluggable Plug - key entry side - Signal

Pitch 3.50mm (.138") / 3.81mm (.150")

## FEATURES

- Robust and solid design
- Modular system, 2 up to 24 pos.
- Key on entry side
- 90° wire inlet versus socket
- Signal
- Latching feature, no mis-match
- End-to-end stackable
- High performance cage-clamp contact system
- cULus recognized



## TECHNICAL DATA

### PHYSICAL

- Housing: PA66 Thermoplastic resin
- Housing color: Green
- Flammability: UL94V-0
- Terminal material: PhBz, Tin plated
- Clamp material: Brass, Nickel plated
- Screw material: Steel, Zinc plated
- RoHs compatible

### MECHANICAL PERFORMANCE

- Durability: 200 cycles
- Insertion force: 5.5 Newton Max.
- Withdrawal force: 1.0 Newton Min.

### PACKAGING

- Standard: box

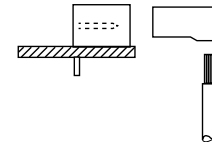
## REFERENCE DATA

| PROPERTY TABLE                          |            |            |
|---|------------|------------|
| FCI SERIES NAME                         | 02-350     | 02-381     |
| PITCH (mm)                              | 3.50       | 3.81       |
| VOLTAGE RATING (VAC)                    | 300        | 300        |
| CURRENT RATING (A)                      | 8          | 8          |
| SOLID/STRANDED WIRE (AWG)               | 16-28      | 16-28      |
| WIRE CROSS SECTION (mm <sup>2</sup> mm) | 1.5-0.15   | 1.5-0.15   |
| WIRE STRIP LENGTH(mm)                   | 6-7        | 6-7        |
| TORQUE (Lb-in) [Nm]                     | 1.7 [0.19] | 1.7 [0.19] |
| SCREW                                   | M2         | M2         |
| WITHSTANDING VOLTAGE (kV)               | 1.6        | 1.6        |
| OPERATING TEMP. (°C)                    | -40-115    | -40-115    |
| POLES AVAILABLE                         | 02-24      | 02-24      |
| SAFETY CERTIFICATE                      |            |            |

## MATING DATA

- Pluggable socket STR  
3.50 / 3.81 mm - mpn 20020 107
- Pluggable socket RA  
3.50 / 3.81 mm - mpn 20020 110

## TYPICAL APPLICATIONS



## PART NUMBERS

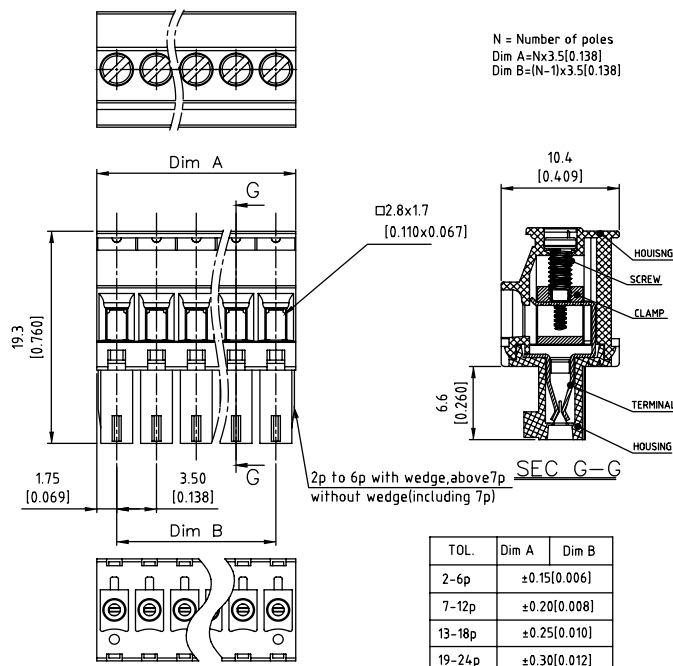
20020008 - Pitch Poles 1 B 01 LF

**Pitch**  
C = 3.50 mm  
D = 3.81 mm

**Poles**  
02 = 2 poles  
03 = 3 poles  
04 = 4 poles  
↓  
24 = 24 poles

## PRODUCT

dimensions in mm (inch)

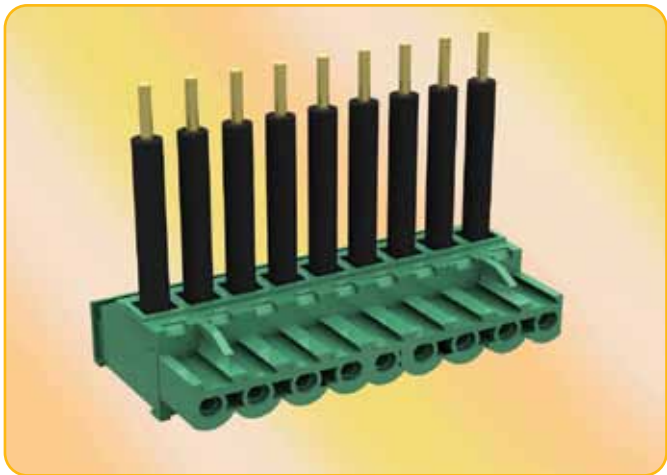


# Pluggable Plug - hook entry side - Signal

Pitch 5.00mm (.197") / 5.08mm (.200")

## FEATURES

- Robust and solid design
- Modular system, 2 up to 24 pos.
- Hook on entry side
- 90° wire inlet versus socket
- Signal
- Latching feature, no mis-match
- End-to-end stackable
- High performance cage-clamp contact system
- cULus recognized



## TECHNICAL DATA

### PHYSICAL

- Housing: PA66 Thermoplastic resin
- Housing color: Green
- Flammability: UL94V-0
- Terminal material: PhBz, Tin plated
- Clamp material: Brass, Nickel plated
- Screw material: Steel, Zinc plated
- RoHs compatible

### MECHANICAL PERFORMANCE

- Durability: 200 cycles
- Insertion force: 5.5 Newton Max.
- Withdrawal force: 1.0 Newton Min.

### PACKAGING

- Standard: box

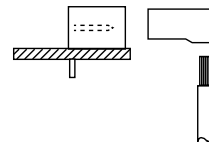
## REFERENCE DATA

| PROPERTY TABLE                          |            |            |
|---|------------|------------|
| FCI SERIES NAME                         | 02-500     | 02-508     |
| PITCH (mm)                              | 5.00       | 5.08       |
| VOLTAGE RATING (VAC)                    | 300        | 300        |
| CURRENT RATING (A)                      | 12         | 12         |
| SOLID/STRANDED WIRE (AWG)               | 12-24      | 12-24      |
| WIRE CROSS SECTION (mm <sup>2</sup> mm) | 4.0-0.2    | 4.0-0.2    |
| WIRE STRIP LENGTH(mm)                   | 6-7        | 6-7        |
| TORQUE (Lb-in) (Nm)                     | 8.5 [0.40] | 8.5 [0.40] |
| SCREW                                   | M3         | M3         |
| WITHSTANDING VOLTAGE (kV)               | 1.6        | 1.6        |
| OPERATING TEMP. (°C)                    | -40~115    | -40~115    |
| POLES AVAILABLE                         | 02-24      | 02-24      |
| SAFETY CERTIFICATE                      |            |            |

## MATING DATA

- Pluggable socket STR  
5.00 / 5.08 mm - mpn 20020 107
- Pluggable socket RA  
5.00 / 5.08 mm - mpn 20020 110

## TYPICAL APPLICATIONS



## PART NUMBERS

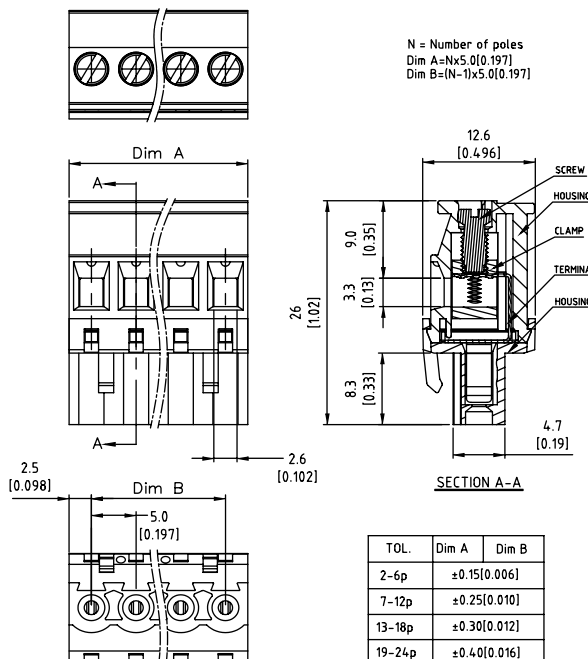
**20020008** - Pitch Poles 1 B 01 LF

**Pitch**  
G = 5.00 mm  
H = 5.08 mm

**Poles**  
02 = 2 poles  
03 = 3 poles  
04 = 4 poles  
↓  
24 = 24 poles

## PRODUCT

dimensions in mm (inch)

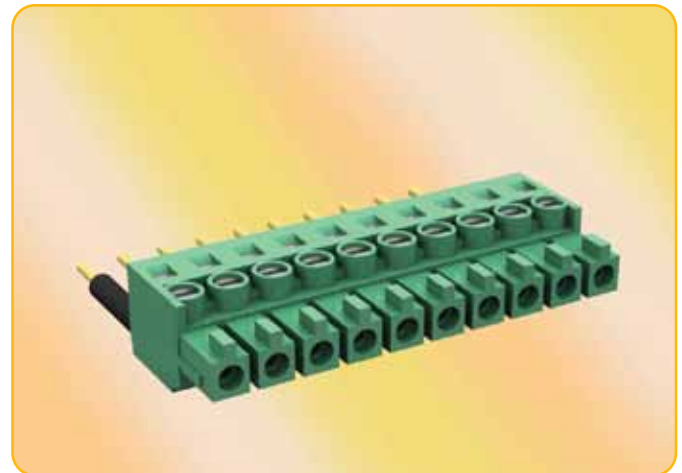


# Pluggable Plug - contact up side - Signal

Pitch 3.50mm (.138") / 3.81mm (.150")

## FEATURES

- Robust and solid design
- Modular system, 2 up to 24 pos.
- Contact on upside
- 180° wire inlet versus socket
- Signal
- Latching feature, no mis-match
- End-to-end stackable
- High performance cage-clamp contact system
- cULus recognized



## TECHNICAL DATA

### PHYSICAL

- Housing: PA66 Thermoplastic resin
- Housing color: Green
- Flammability: UL94V-0
- Terminal material: PhBz, Tin plated
- Clamp material: Brass, Nickel plated
- Screw material: Steel, Zinc plated
- RoHs compatible

### MECHANICAL PERFORMANCE

- Durability: 200 cycles
- Insertion force: 5.5 Newton Max.
- Withdrawal force: 1.0 Newton Min.

### PACKAGING

- Standard: box

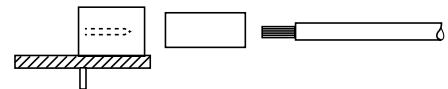
## REFERENCE DATA

| PROPERTY TABLE             |            |            |
|----------------------------|------------|------------|
| FCI SERIES NAME            | 01-350     | 01-381     |
| PITCH (mm)                 | 3.50       | 3.81       |
| VOLTAGE RATING (VAC)       | 300        | 300        |
| CURRENT RATING (A)         | 10         | 10         |
| SOLID/STRANDED WIRE (AWG)  | 16~26      | 16~26      |
| WIRE CROSS SECTION (mm*mm) | 1.5~0.2    | 1.5~0.2    |
| WIRE STRIP LENGTH(mm)      | 6~7        | 6~7        |
| TORQUE (Lb-in) [Nm]        | 2.0 [0.23] | 2.0 [0.23] |
| SCREW                      | M2         | M2         |
| WITHSTANDING VOLTAGE (kV)  | 1.6        | 1.6        |
| OPERATING TEMP. (°C)       | -40~115    | -40~115    |
| POLES AVAILABLE            | 02~24      | 02~24      |
| SAFETY CERTIFICATE         |            |            |

## MATING DATA

- Pluggable socket STR  
3.50/ 3.81 mm - mpn 20020 107
- Pluggable socket RA  
3.50/ 3.81 mm - mpn 20020 110

## TYPICAL APPLICATIONS



## PART NUMBERS

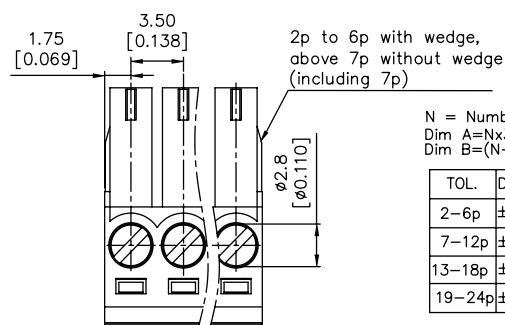
20020004 - Pitch Poles 1 B 01 LF

**Pitch**  
C = 3.50 mm  
D = 3.81 mm

**Poles**  
02 = 2 poles  
03 = 3 poles  
04 = 4 poles  
↓  
24 = 24 poles

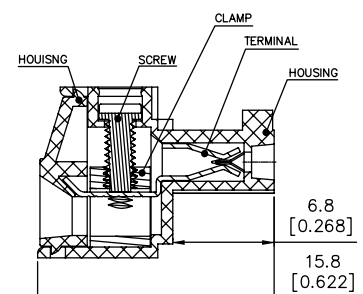
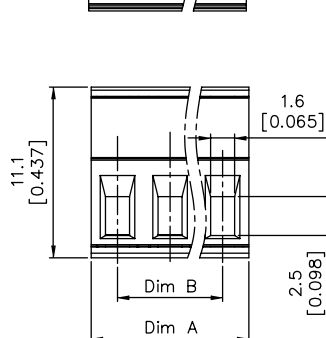
## PRODUCT

dimensions in mm (inch)



N = Number of poles  
Dim A = N x 3.5 [0.138]  
Dim B = (N-1) x 3.5 [0.138]

| TOL. | Dim A  | Dim B         |
|------|--------|---------------|
|      | 2-6p   | ±0.15 [0.006] |
|      | 7-12p  | ±0.20 [0.008] |
|      | 13-18p | ±0.25 [0.010] |
|      | 19-24p | ±0.30 [0.012] |



# Pluggable Plug - contact up side - Signal

Pitch 5.00mm (.197") / 5.08mm (.200")

## FEATURES

- Robust and solid design
- Modular system, 2 up to 24 pos.
- Contact on upside
- 180° wire inlet versus socket
- Signal
- Latching feature, no mis-match
- End-to-end stackable
- High performance cage-clamp contact system
- cAUs recognized



## TECHNICAL DATA

### PHYSICAL

- Housing: PA66 Thermoplastic resin
- Housing color: Green
- Flammability: UL94V-0
- Terminal material: PhBz, Tin plated
- Clamp material: Brass, Nickel plated
- Screw material: Steel, Zinc plated
- RoHs compatible

### MECHANICAL PERFORMANCE

- Durability: 200 cycles
- Insertion force: 5.5 Newton Max.
- Withdrawal force: 1.0 Newton Min.

### PACKAGING

- Standard: box

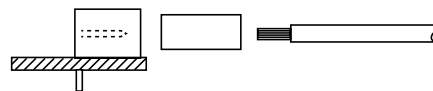
## REFERENCE DATA

| PROPERTY TABLE                          |            |            |
|---|------------|------------|
| FCI SERIES NAME                         | 01-500     | 01-508     |
| PITCH (mm)                              | 5.00       | 5.08       |
| VOLTAGE RATING (VAC)                    | 300        | 300        |
| CURRENT RATING (A)                      | 12         | 12         |
| SOLID/STRANDED WIRE (AWG)               | 12-24      | 12-24      |
| WIRE CROSS SECTION (mm <sup>2</sup> mm) | 4.0-0.2    | 4.0-0.2    |
| WIRE STRIP LENGTH(mm)                   | 7-8        | 7-8        |
| TORQUE (Lb-in) [Nm]                     | 5.0 [0.56] | 5.0 [0.56] |
| SCREW                                   | M3         | M3         |
| WITHSTANDING VOLTAGE (kV)               | 1.6        | 1.6        |
| OPERATING TEMP. (°C)                    | -40-115    | -40-115    |
| POLES AVAILABLE                         | 02-24      | 02-24      |
| SAFETY CERTIFICATE                      | cAUs       |            |

## MATING DATA

- Pluggable socket STR  
5.00 / 5.08 mm - mpn 20020 107
- Pluggable socket RA  
5.00 / 5.08 mm - mpn 20020 110

## TYPICAL APPLICATIONS



## PART NUMBERS

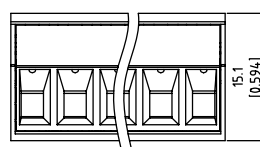
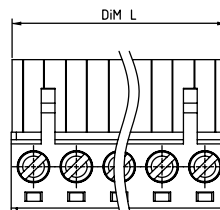
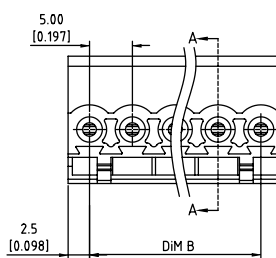
20020006 - Pitch Poles 1 B 01 LF

**Pitch**  
G = 5.00 mm  
H = 5.08 mm

**Poles**  
02 = 2 poles  
03 = 3 poles  
04 = 4 poles  
↓  
24 = 24 poles

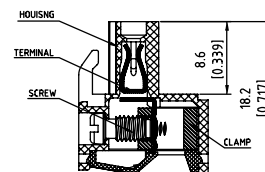
## PRODUCT

dimensions in mm (inch)



N = Number of poles  
Dim A = N x 5.0 [0.197]  
Dim B = (N-1) x 5.0 [0.197]

| TOL.   | Dim A         | Dim B |
|--------|---------------|-------|
| 2-5p   | ±0.15 [0.006] |       |
| 6-10p  | ±0.20 [0.008] |       |
| 11-15p | ±0.25 [0.010] |       |
| 16-20p | ±0.30 [0.012] |       |
| 21-24p | ±0.40 [0.016] |       |



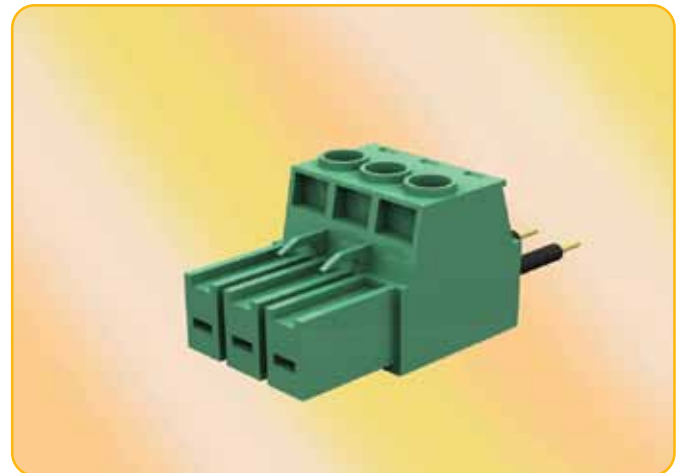
SECTION A-A

# Pluggable Plug - contact down side - Power

Pitch 7.62mm (.300")

## FEATURES

- Robust and solid design
- Modular system, 2 up to 16 pos.
- Contact on down side
- 180° wire inlet versus socket
- Power
- Latching feature, no mis-match
- End-to-end stackable
- High performance cage-clamp contact system
- cULus recognized



## TECHNICAL DATA

### PHYSICAL

- Housing: PA66 Thermoplastic resin
- Housing color: Green
- Flammability: UL94V-0
- Terminal material: PhBz, Tin plated
- Clamp material: Brass, Nickel plated
- Screw material: Steel, Zinc plated
- RoHs compatible

### MECHANICAL PERFORMANCE

- Durability: 200 cycles
- Insertion force: 5.5 Newton Max.
- Withdrawal force: 1.0 Newton Min.

### PACKAGING

- Standard: box

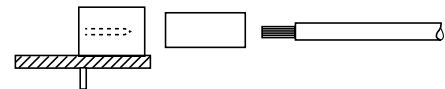
## REFERENCE DATA

| PROPERTY TABLE            |            |
|---------------------------|------------|
| FCI SERIES NAME           | 04-762     |
| PITCH (mm)                | 7.62       |
| VOLTAGE RATING (VAC)      | 300        |
| CURRENT RATING (A)        | 32         |
| SOLID/STRANDED WIRE (AWG) | 10~24      |
| WIRE CROSS SECTION(mm×mm) | 6.0~0.2    |
| WIRE STRIP LENGTH(mm)     | 10~11      |
| TORQUE (Lb-in) [Nm]       | 3.5 [0.40] |
| SCREW                     | M3.5       |
| WITHSTANDING VOLTAGE (kV) | 1.6        |
| OPERATING TEMP. (°C)      | -40~115    |
| POLES AVAILABLE           | 02~16      |
| SAFETY CERTIFICATE        | cULus      |

## MATING DATA

- Pluggable socket STR TMT  
7.62mm - mpn 20020 620
- Pluggable socket RA TMT  
7.62mm - mpn 20020 618

## TYPICAL APPLICATIONS



## PART NUMBERS

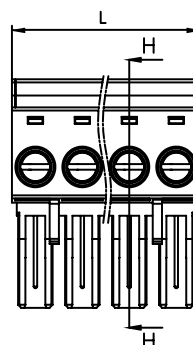
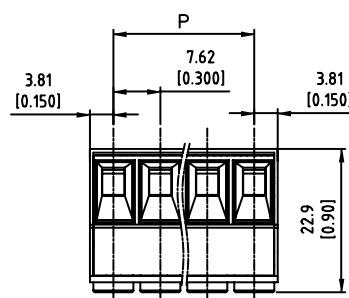
20020516 - Pitch Poles 1 B 01 LF

**Pitch**  
M = 7.62 mm

**Poles**  
02 = 2 poles  
03 = 3 poles  
04 = 4 poles  
↓  
16 = 16 poles

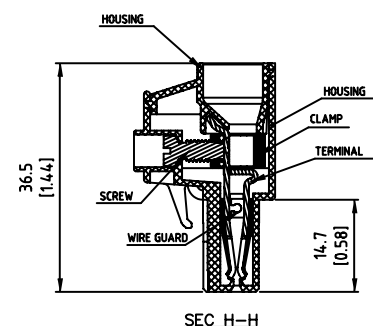
## PRODUCT

dimensions in mm (inch)



N = Number of poles  
Dim L = N x 7.62 [0.300]  
Dim P = (N-1) x 7.62 [0.300]

| TOL.   | Dim L         | Dim P |
|--------|---------------|-------|
| 2-4p   | ±0.10 [0.004] |       |
| 5-8p   | ±0.15 [0.006] |       |
| 9-12p  | ±0.20 [0.008] |       |
| 13-16p | ±0.30 [0.012] |       |





# Pluggable Socket - straight - Signal

Pitch 3.50mm (.138") / 3.81mm (.150")

## FEATURES

- Robust and solid design
- Modular system, 2 up to 24 pos.
- Straight socket
- Signal
- Latching feature, no mis-match
- End-to-end stackable
- cULus recognized



## TECHNICAL DATA

### PHYSICAL

- Housing: PA66 Thermoplastic resin
- Housing color: Green
- Flammability: UL94V-0
- Terminal material: Brass, Tin plated
- RoHs compatible

### MECHANICAL PERFORMANCE

- Durability: 200 cycles
- Insertion force: 5.5 Newton Max.
- Withdrawal force: 1.0 Newton Min.

### PACKAGING

- Standard: box

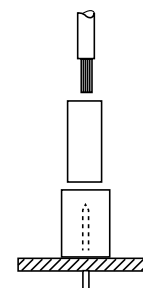
## REFERENCE DATA

| PROPERTY TABLE            |                    |                    |
|---------------------------|--------------------|--------------------|
| FCI SERIES NAME           | 06-350             | 06-381             |
| PITCH (mm)                | 3.50               | 3.81               |
| VOLTAGE RATING (VAC)      | 300                | 300                |
| CURRENT RATING (A)        | 10                 | 10                 |
| WITHSTANDING VOLTAGE (kV) | 1.6                | 1.6                |
| OPERATING TEMP. (°C)      | -40~115            | -40~115            |
| SOLDERING TEMP. (°C)      | 250±10<br>(5 sec.) | 250±10<br>(5 sec.) |
| POLES AVAILABLE           | 02-24              | 02-24              |
| SAFETY CERTIFICATE        |                    |                    |

## MATING DATA

- Pluggable plug- key on entry side  
3.50 / 3.81 mm - mpn 20020 008
- Pluggable plug- contact up side  
3.50 / 3.81 mm - mpn 20020 004

## TYPICAL APPLICATIONS



## PART NUMBERS

**20020107** - Pitch Poles 1 A 01 LF

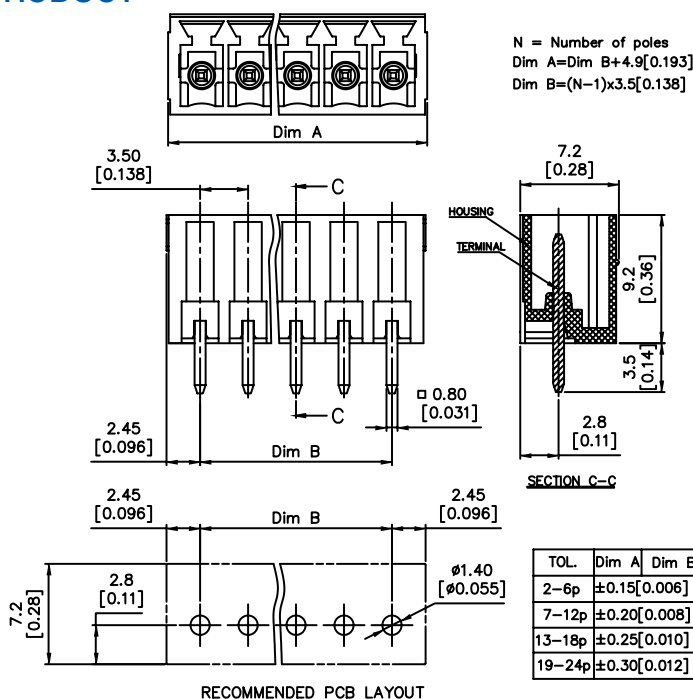
**Pitch**  
C = 3.50 mm  
D = 3.81 mm

**Poles**  
02 = 2 poles  
03 = 3 poles  
04 = 4 poles  
↓  
24 = 24 poles

## PRODUCT

dimensions in mm (inch)

N = Number of poles  
Dim A = Dim B + 4.9[0.193]  
Dim B = (N-1) x 3.5[0.138]

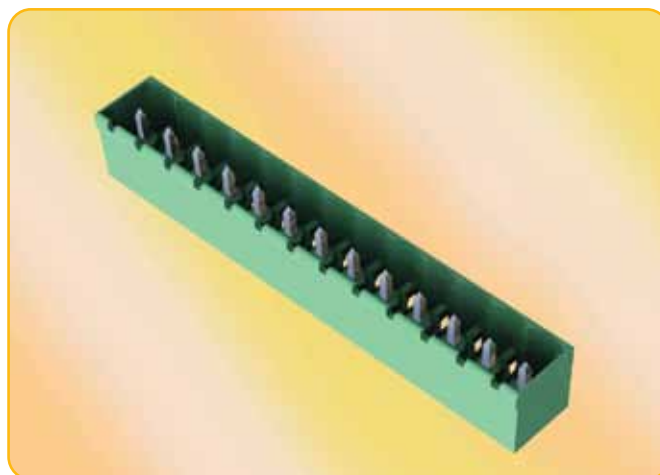


# Pluggable Socket - straight - Signal

Pitch 5.00mm (.197") / 5.08mm (.200")

## FEATURES

- Robust and solid design
- Modular system, 2 up to 24 pos.
- Straight socket
- Signal
- Latching feature, no mis-match
- End-to-end stackable
- cULus recognized



## TECHNICAL DATA

### PHYSICAL

- Housing: PA66 Thermoplastic resin
- Housing color: Green
- Flammability: UL94V-0
- Terminal material: Brass, Tin plated
- RoHs compatible

### MECHANICAL PERFORMANCE

- Durability: 200 cycles
- Insertion force: 5.5 Newton Max.
- Withdrawal force: 1.0 Newton Min.

### PACKAGING

- Standard: box

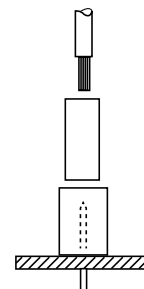
## REFERENCE DATA

| PROPERTY TABLE            |                    |                    |
|---------------------------|--------------------|--------------------|
| FCI SERIES NAME           | 06-500             | 06-508             |
| PITCH (mm)                | 5.00               | 5.08               |
| VOLTAGE RATING (VAC)      | 300                | 300                |
| CURRENT RATING (A)        | 12                 | 12                 |
| WITHSTANDING VOLTAGE (kV) | 1.6                | 1.6                |
| OPERATING TEMP. (°C)      | -40~115            | -40~115            |
| SOLDERING TEMP. (°C)      | 250±10<br>(5 sec.) | 250±10<br>(5 sec.) |
| POLES AVAILABLE           | 02-24              | 02-24              |
| SAFETY CERTIFICATE        |                    |                    |

## MATING DATA

- Pluggable plug- hook on entry side  
5.00 / 5.08 mm - mpn 20020 008
- Pluggable plug- contact up side  
5.00 / 5.08 mm - mpn 20020 006

## TYPICAL APPLICATIONS



## PART NUMBERS

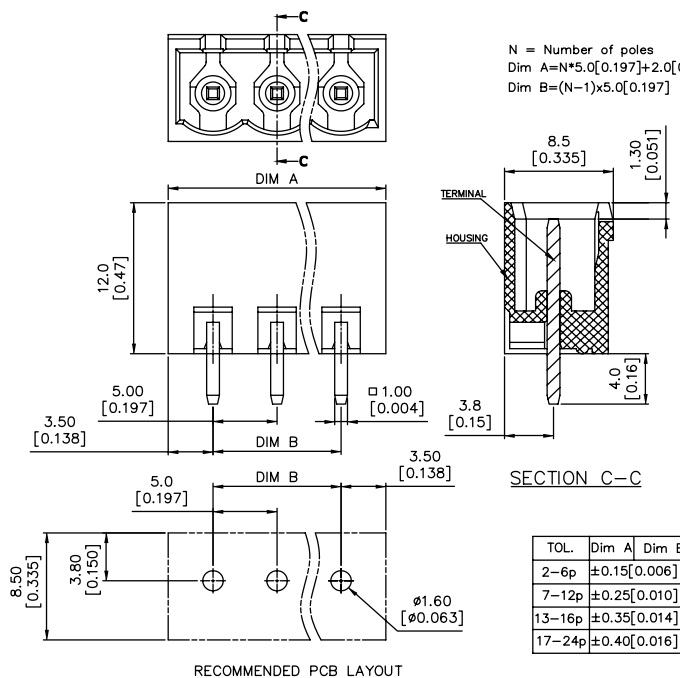
**20020107** - Pitch Poles 1 A 01 LF

**Pitch**  
G = 5.00 mm  
H = 5.08 mm

**Poles**  
02 = 2 poles  
03 = 3 poles  
04 = 4 poles  
↓  
24 = 24 poles

## PRODUCT

dimensions in mm (inch)

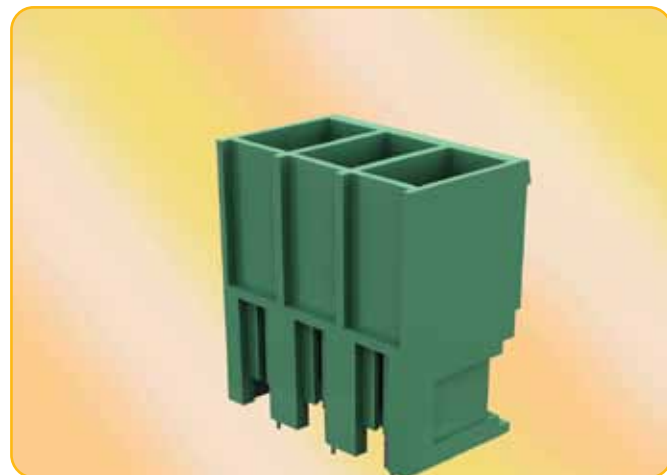


# Pluggable Socket - straight - Power

Pitch 7.62mm (.300")

## FEATURES

- Robust and solid design
- Modular system, 2 up to 16 pos.
- Straight socket
- Power
- Latching feature, no mis-match
- End-to-end stackable
- c us recognized



## TECHNICAL DATA

### PHYSICAL

- Housing: PA66 Thermoplastic resin
- Housing color: Green
- Flammability: UL94V-0
- Terminal material: Brass, Tin plated
- RoHs compatible

### MECHANICAL PERFORMANCE

- Durability: 200 cycles
- Insertion force: 5.5 Newton Max.
- Withdrawal force: 1.0 Newton Min.

### PACKAGING

- Standard: box

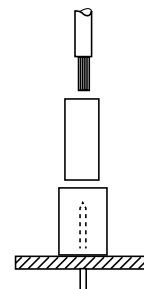
## REFERENCE DATA

| PROPERTY TABLE            |                    |
|---------------------------|--------------------|
| FCI SERIES NAME           | 07-762             |
| PITCH (mm)                | 3.50               |
| VOLTAGE RATING (VAC)      | 300                |
| CURRENT RATING (A)        | 32                 |
| WITHSTANDING VOLTAGE (kV) | 1.6                |
| OPERATING TEMP. (°C)      | -40~115            |
| SOLDERING TEMP. (°C)      | 250±10<br>(5 sec.) |
| POLES AVAILABLE           | 02~16              |
| SAFETY CERTIFICATE        |                    |

## MATING DATA

- Pluggable plug- contact down side  
7.62 mm - mpn 20020 516

## TYPICAL APPLICATIONS



## PART NUMBERS

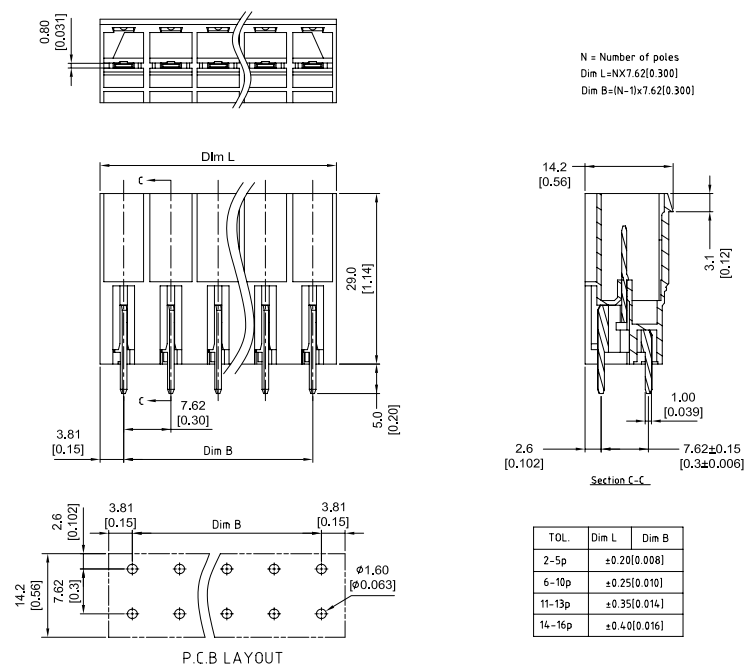
**20020620** - Pitch Poles 1 A 01 LF

**Pitch**  
M = 7.62mm

**Poles**  
02 = 2 poles  
03 = 3 poles  
04 = 4 poles  
↓  
16 = 16 poles

## PRODUCT

dimensions in mm (inch)

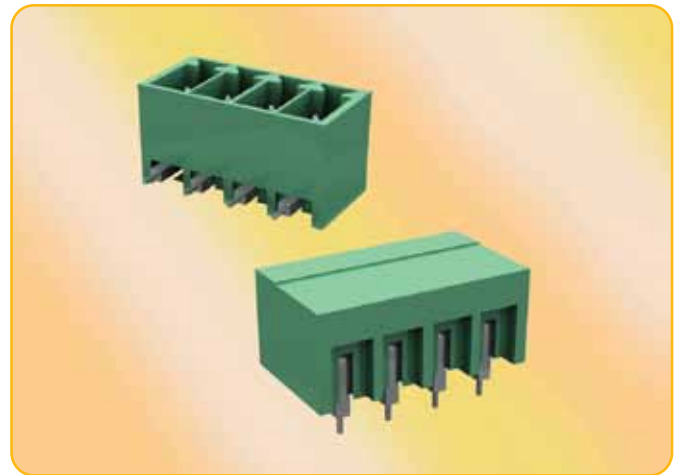


# Pluggable Socket - right angle - Signal

Pitch 3.50mm (.138") / 3.81mm (.150")

## FEATURES

- Robust and solid design
- Modular system, 2 up to 24 pos.
- Right angle socket
- Signal
- Latching feature, no mis-match
- End-to-end stackable
- cULus recognized



## TECHNICAL DATA

### PHYSICAL

- Housing: PA66 Thermoplastic resin
- Housing color: Green
- Flammability: UL94V-0
- Terminal material: Brass, Tin plated
- RoHs compatible

### MECHANICAL PERFORMANCE

- Durability: 200 cycles
- Insertion force: 5.5 Newton Max.
- Withdrawal force: 1.0 Newton Min.

### PACKAGING

- Standard: box

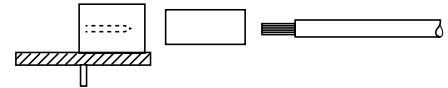
## REFERENCE DATA

| PROPERTY TABLE            |                    |                    |
|---------------------------|--------------------|--------------------|
| FCI SERIES NAME           | 06-350             | 06-381             |
| PITCH (mm)                | 3.50               | 3.81               |
| VOLTAGE RATING (VAC)      | 300                | 300                |
| CURRENT RATING (A)        | 8                  | 8                  |
| WITHSTANDING VOLTAGE (kV) | 1.6                | 1.6                |
| OPERATING TEMP. (°C)      | -40~115            | -40~115            |
| SOLDERING TEMP. (°C)      | 250±10<br>(5 sec.) | 250±10<br>(5 sec.) |
| POLES AVAILABLE           | 02-24              | 02-24              |
| SAFETY CERTIFICATE        |                    |                    |

## MATING DATA

- Pluggable plug- key on entry side  
3.50 / 3.81 mm - mpn 20020 008
- Pluggable plug- contact up side  
3.50 / 3.81 mm - mpn 20020 004

## TYPICAL APPLICATIONS



## PART NUMBERS

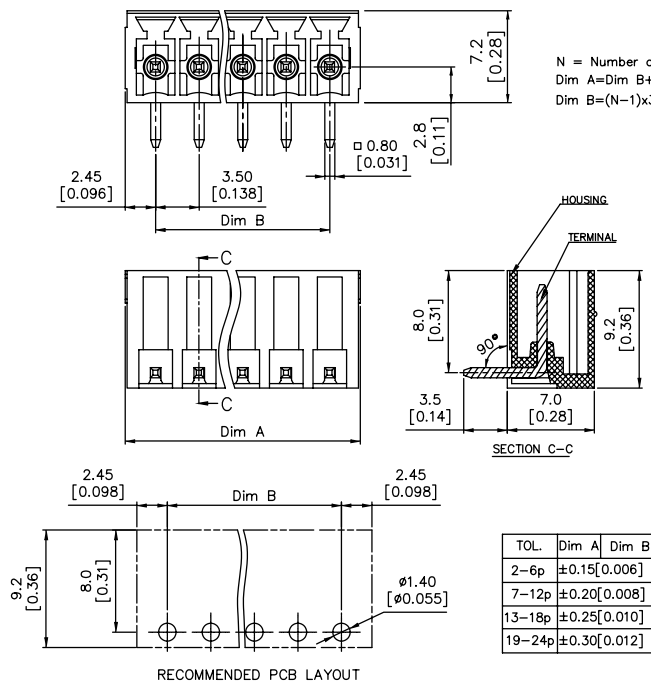
20020110 - Pitch Poles 1 A 01 LF

**Pitch**  
C = 3.50 mm  
D = 3.81 mm

**Poles**  
02 = 2 poles  
03 = 3 poles  
04 = 4 poles  
↓  
24 = 24 poles

## PRODUCT

dimensions in mm (inch)

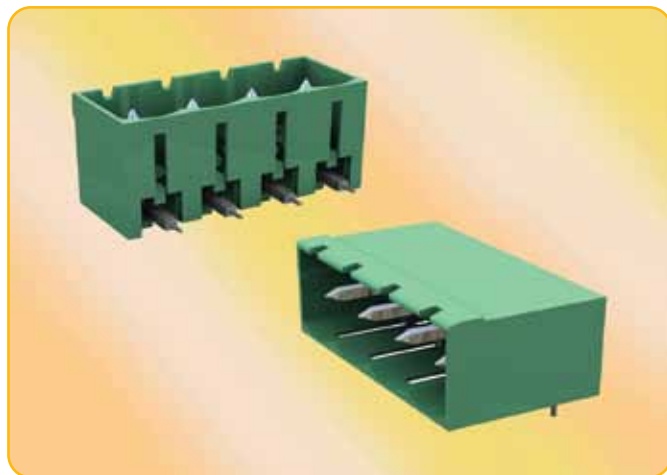


# Pluggable Socket - right angle - Signal

Pitch 5.00mm (.197") / 5.08mm (.200")

## FEATURES

- Robust and solid design
- Modular system, 2 up to 24 pos.
- Right angle socket
- Signal
- Latching feature, no mis-match
- End-to-end stackable
- cULus recognized



## TECHNICAL DATA

### PHYSICAL

- Housing: PA66 Thermoplastic resin
- Housing color: Green
- Flammability: UL94V-0
- Terminal material: Brass, Tin plated
- RoHs compatible

### MECHANICAL PERFORMANCE

- Durability: 200 cycles
- Insertion force: 5.5 Newton Max.
- Withdrawal force: 1.0 Newton Min.

### PACKAGING

- Standard: box

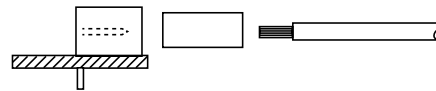
## REFERENCE DATA

| PROPERTY TABLE            |                    |                    |
|---------------------------|--------------------|--------------------|
| FCI SERIES NAME           | 06-500             | 06-508             |
| PITCH (mm)                | 5.00               | 5.08               |
| VOLTAGE RATING (VAC)      | 300                | 300                |
| CURRENT RATING (A)        | 12                 | 12                 |
| WITHSTANDING VOLTAGE (kV) | 1.6                | 1.6                |
| OPERATING TEMP. (°C)      | -40~115            | -40~115            |
| SOLDERING TEMP. (°C)      | 250±10<br>(5 sec.) | 250±10<br>(5 sec.) |
| POLES AVAILABLE           | 02-24              | 02-24              |
| SAFETY CERTIFICATE        |                    |                    |

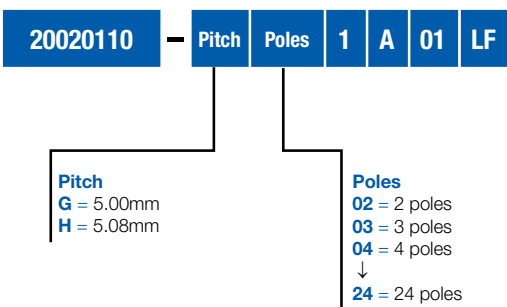
## MATING DATA

- Pluggable plug- hook on entry side  
5.00 / 5.08 mm - mpn 20020 008
- Pluggable plug- contact up side  
5.00 / 5.08 mm - mpn 20020 004

## TYPICAL APPLICATIONS

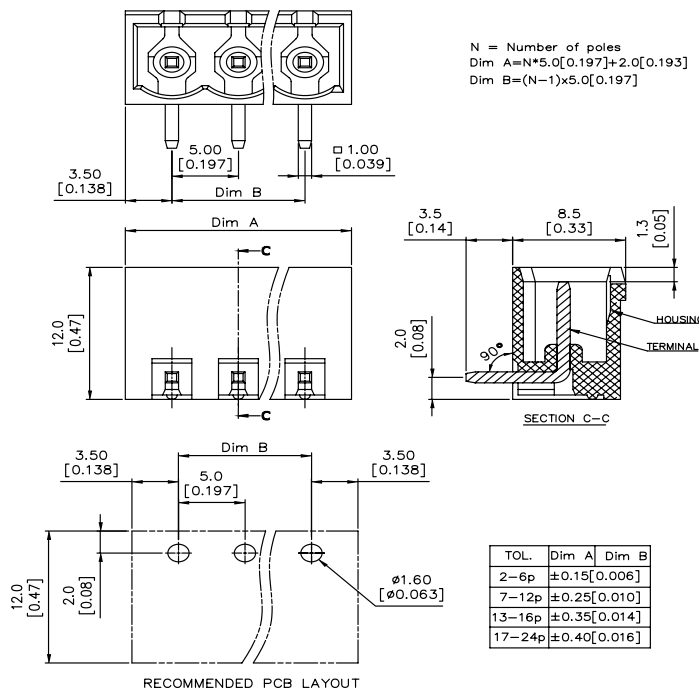


## PART NUMBERS



## PRODUCT

dimensions in mm (inch)

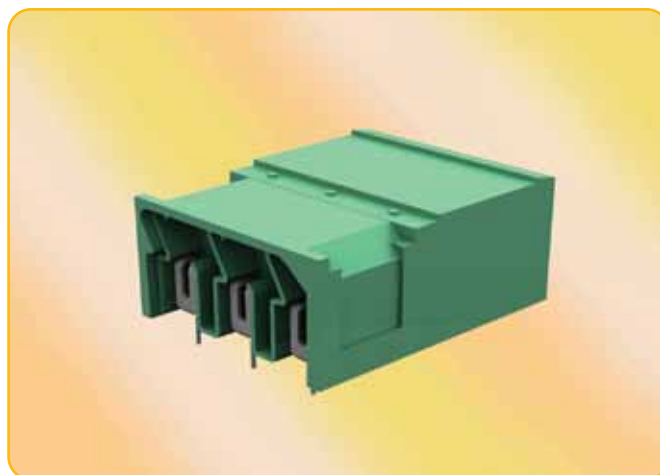


# Pluggable Socket - right angle - Power

Pitch 7.62mm (.300")

## FEATURES

- Robust and solid design
- Modular system, 2 up to 16 pos.
- Right angle socket
- Power
- Latching feature, no mis-match
- End-to-end stackable
- cULus recognized



## TECHNICAL DATA

### PHYSICAL

- Housing: PA66 Thermoplastic resin
- Housing color: Green
- Flammability: UL94V-0
- Terminal material: Brass, Tin plated
- RoHs compatible

### MECHANICAL PERFORMANCE

- Durability: 200 cycles
- Insertion force: 5.5 Newton Max.
- Withdrawal force: 1.0 Newton Min.

### PACKAGING

- Standard: box

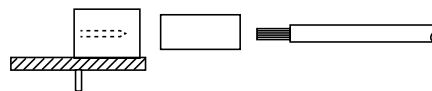
## REFERENCE DATA

| PROPERTY TABLE            |                    |
|---------------------------|--------------------|
| FCI SERIES NAME           | 07-762             |
| PITCH (mm)                | 3.50               |
| VOLTAGE RATING (VAC)      | 300                |
| CURRENT RATING (A)        | 32                 |
| WITHSTANDING VOLTAGE (kV) | 1.6                |
| OPERATING TEMP. (°C)      | -40~115            |
| SOLDERING TEMP. (°C)      | 250±10<br>(5 sec.) |
| POLES AVAILABLE           | 02-16              |
| SAFETY CERTIFICATE        | cULus              |

## MATING DATA

- Pluggable plug- contact down side  
7.62 mm - mpn 20020 516

## TYPICAL APPLICATIONS



## PART NUMBERS

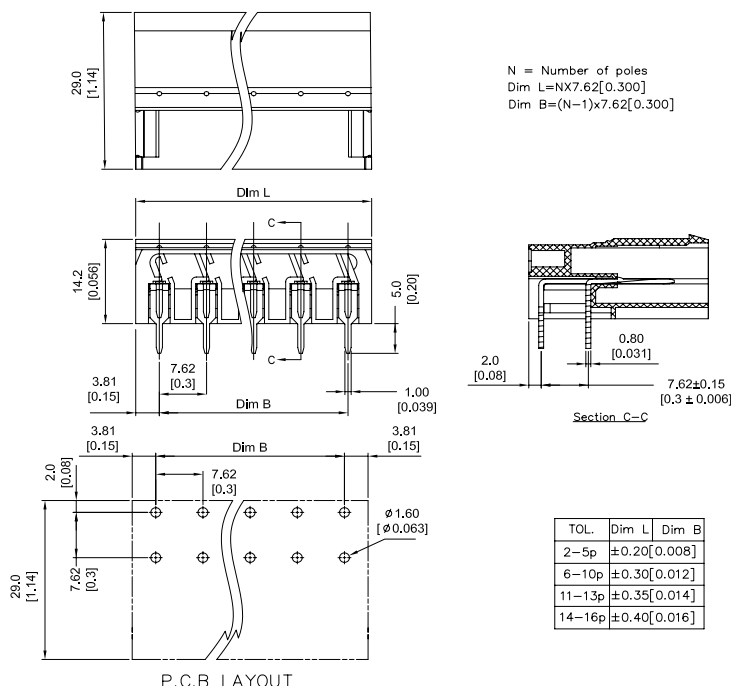


Pitch  
M = 7.62 mm

Poles  
02 = 2 poles  
03 = 3 poles  
04 = 4 poles  
↓  
16 = 16 poles

## PRODUCT

dimensions in mm (inch)

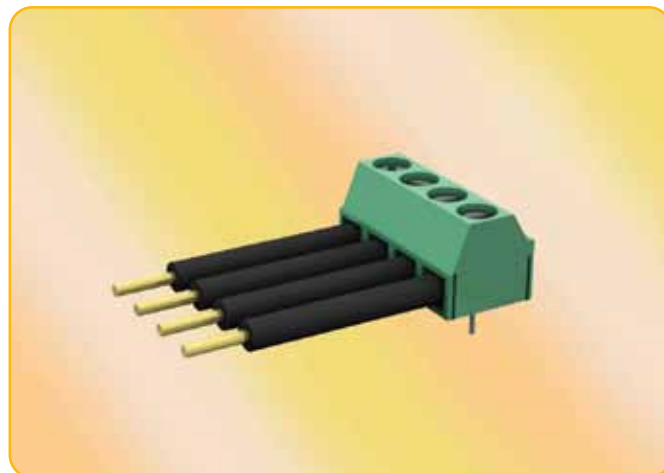


# Fixed - horizontal wire inlet - Signal

Pitch 3.50mm (.138") / 3.81mm (.150")

## FEATURES

- Robust and solid design
- Modular system, 2 up to 24 pos.
- Horizontal wire inlet
- Signal
- End-to-end stackable, slot feature
- High performance cage-clamp contact system
- cULus recognized



## TECHNICAL DATA

### PHYSICAL

- Housing: PA66 Thermoplastic resin
- Housing color: Green
- Flammability: UL94V-0
- Terminal material: PhBz, Tin plated
- Clamp material: Brass, Nickel plated
- Screw material: Steel, Zinc plated
- RoHs compatible

### MECHANICAL PERFORMANCE

- Durability: 200 cycles
- Insertion force: 5.5 Newton Max.
- Withdrawal force: 1.0 Newton Min.

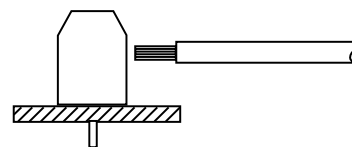
### PACKAGING

- Standard: box

## REFERENCE DATA

| PROPERTY TABLE                          |                    |                    |
|---|--------------------|--------------------|
| FCI SERIES NAME                         | 26-350             | 26-381             |
| PITCH (mm)                              | 3.50               | 3.81               |
| VOLTAGE RATING (VAC)                    | 300                | 300                |
| CURRENT RATING (A)                      | 10                 | 10                 |
| SOLID/STRANDED WIRE (AWG)               | 16~24              | 16~24              |
| WIRE CROSS SECTION (mm <sup>2</sup> mm) | 1.5~0.2            | 1.5~0.2            |
| WIRE STRIP LENGTH(mm)                   | 5~6                | 5~6                |
| TORQUE (Lb-in) [Nm]                     | 1.7 [0.19]         | 1.7 [0.19]         |
| SCREW                                   | M2                 | M2                 |
| WITHSTANDING VOLTAGE (kV)               | 1.6                | 1.6                |
| OPERATING TEMP. (°C)                    | -40~115            | -40~115            |
| SOLDERING TEMP. (°C)                    | 250±10<br>(5 sec.) | 250±10<br>(5 sec.) |
| POLES AVAILABLE                         | 02~24              | 02~24              |
| SAFETY CERTIFICATE                      |                    |                    |

## TYPICAL APPLICATIONS



## PART NUMBERS

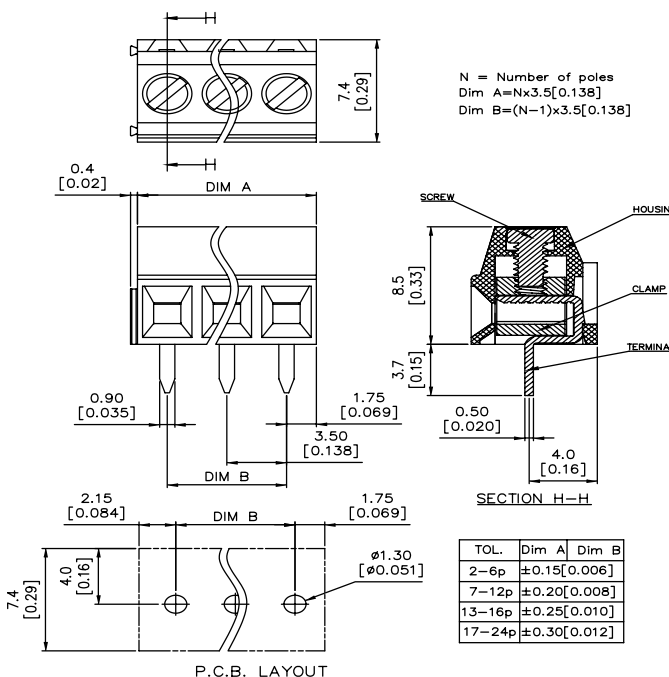
20020327 - Pitch Poles 1 B 01 LF

**Pitch**  
C = 3.50 mm  
D = 3.81 mm

**Poles**  
02 = 2 poles  
03 = 3 poles  
04 = 4 poles  
↓  
24 = 24 poles

## PRODUCT

dimensions in mm (inch)

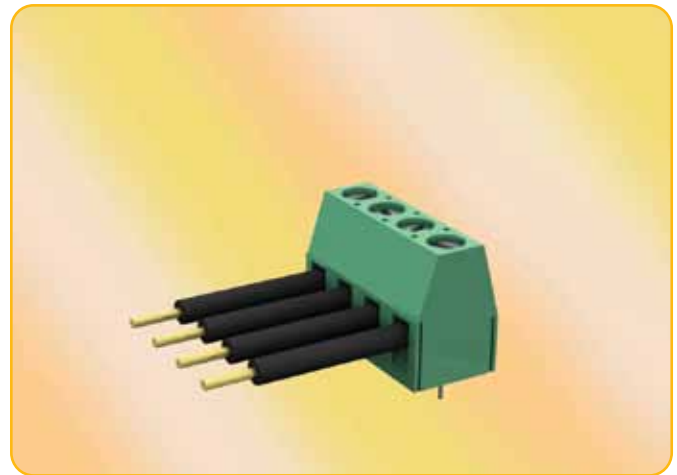


# Fixed - horizontal wire inlet - Signal

Pitch 5.00mm (.197") / 5.08mm (.200")

## FEATURES

- Robust and solid design
- Modular system, 2 up to 24 pos.
- Horizontal wire inlet
- Signal
- End-to-end stackable, slot feature
- High performance cage-clamp contact system
- cULus recognized



## TECHNICAL DATA

### PHYSICAL

- Housing: PA66 Thermoplastic resin
- Housing color: Green
- Flammability: UL94V-0
- Terminal material: PhBz, Tin plated
- Clamp material: Brass, Nickel plated
- Screw material: Steel, Zinc plated
- RoHs compatible

### MECHANICAL PERFORMANCE

- Durability: 200 cycles
- Insertion force: 5.5 Newton Max.
- Withdrawal force: 1.0 Newton Min.

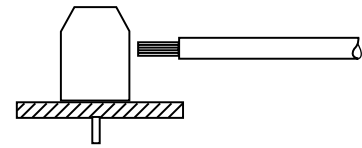
### PACKAGING

- Standard: box

## REFERENCE DATA

| PROPERTY TABLE             |                    |                    |
|----------------------------|--------------------|--------------------|
| FCI SERIES NAME            | 21-500             | 21-508             |
| PITCH (mm)                 | 5.00               | 5.08               |
| VOLTAGE RATING (VAC)       | 300                | 300                |
| CURRENT RATING (A)         | 16                 | 16                 |
| SOLID/STRANDED WIRE (AWG)  | 12~28              | 12~28              |
| WIRE CROSS SECTION (mm²mm) | 4.0~0.14           | 4.0~0.14           |
| WIRE STRIP LENGTH(mm)      | 6~7                | 6~7                |
| TORQUE (L·in) (Nm)         | 3.5 [0.40]         | 3.5 [0.40]         |
| SCREW                      | M3                 | M3                 |
| WITHSTANDING VOLTAGE (kV)  | 1.6                | 1.6                |
| OPERATING TEMP. (°C)       | -40~115            | -40~115            |
| SOLDERING TEMP. (°C)       | 250±10<br>(5 sec.) | 250±10<br>(5 sec.) |
| POLES AVAILABLE            | 02~24              | 02~24              |
| SAFETY CERTIFICATE         | Pending            | cULus              |

## TYPICAL APPLICATIONS



## PART NUMBERS

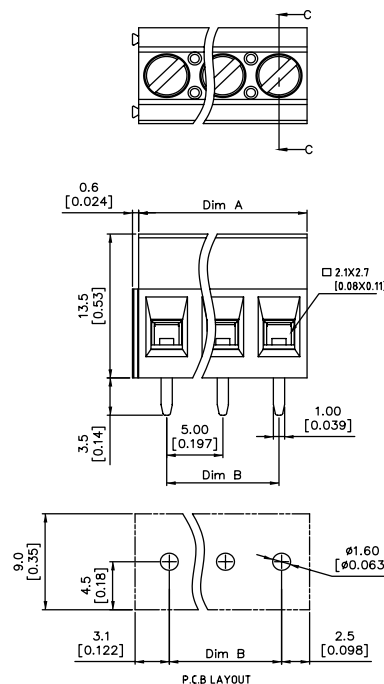
20020316 - Pitch Poles 1 B 01 LF

**Pitch**  
G = 5.00 mm  
H = 5.08 mm

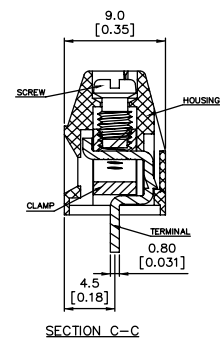
**Poles**  
02 = 2 poles  
03 = 3 poles  
04 = 4 poles  
↓  
24 = 24 poles

## PRODUCT

dimensions in mm (inch)



N = Number of poles  
Dim A = N\*5.0 [0.197]  
Dim B = (N-1)\*5.0 [0.197]



| TOL. | Dim A  | Dim B         |
|------|--------|---------------|
|      | 2-6p   | ±0.15 [0.006] |
|      | 7-12p  | ±0.25 [0.010] |
|      | 13-16p | ±0.35 [0.014] |
|      | 17-24p | ±0.40 [0.016] |

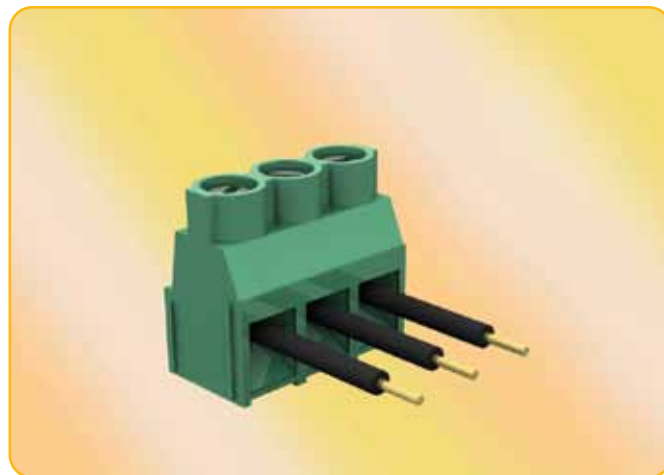


# Fixed - horizontal wire inlet - Power

Pitch 7.62mm (.300")

## FEATURES

- Robust and solid design
- Modular system, 2 and 3 poles.
- Horizontal wire inlet
- Power
- End-to-end stackable, slot feature
- High performance cage-clamp contact system
- cULus recognized



## TECHNICAL DATA

### PHYSICAL

- Housing: PA66 Thermoplastic resin
- Housing color: Green
- Flammability: UL94V-0
- Terminal material: PhBz, Tin plated
- Clamp material: Brass, Nickel plated
- Screw material: Steel, Zinc plated
- RoHs compatible

### MECHANICAL PERFORMANCE

- Durability: 200 cycles
- Insertion force: 5.5 Newton Max.
- Withdrawal force: 1.0 Newton Min.

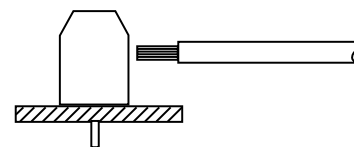
### PACKAGING

- Standard: box

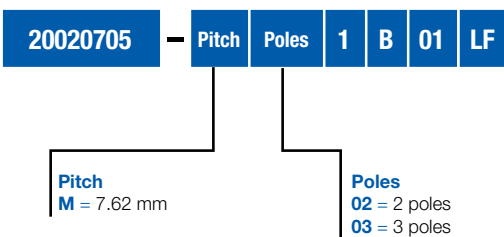
## REFERENCE DATA

| PROPERTY TABLE                          |                    |
|---|--------------------|
| FCI SERIES NAME                         | 12-762             |
| PITCH (mm)                              | 7.62               |
| VOLTAGE RATING (VAC)                    | 300                |
| CURRENT RATING (A)                      | 30                 |
| SOLID/STRAND WIRE (AWG)                 | 10-24              |
| WIRE CROSS SECTION (mm <sup>2</sup> mm) | 6-0.2              |
| WIRE STRIP LENGTH(mm)                   | 6-7                |
| TORQUE (Lb-in) [Nm]                     | 8.9 [1.01]         |
| SCREW                                   | M3.5               |
| WITHSTANDING VOLTAGE (kV)               | 1.6                |
| OPERATING TEMP. (°C)                    | -40-115            |
| SOLDERING TEMP. (°C)                    | 250±10<br>(5 sec.) |
| POLES AVAILABLE                         | 02-03              |
| SAFETY CERTIFICATE                      |                    |

## TYPICAL APPLICATIONS

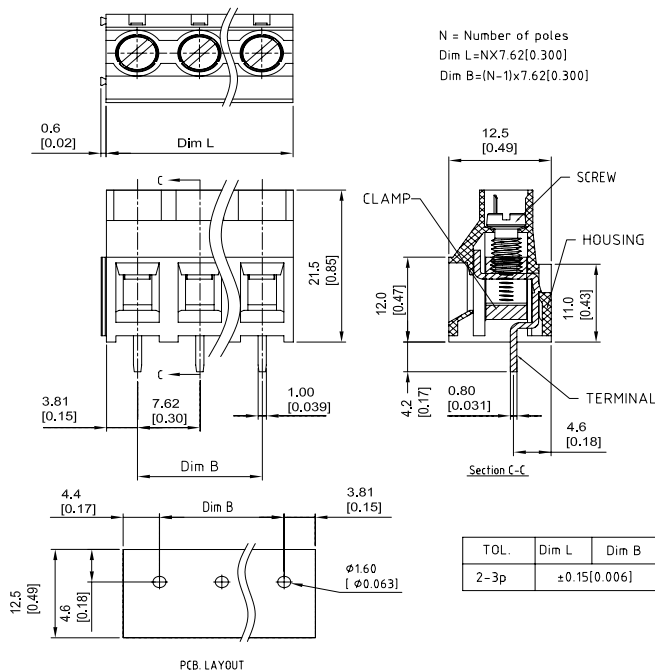


## PART NUMBERS



## PRODUCT

dimensions in mm (inch)





**XCFR2.E98107  
Terminal Blocks - Component**

Page Bottom

**Terminal Blocks - Component**

See General Information for Terminal Blocks - Component

**FCI USA INC**  
825 OLD TRAIL RD  
LEWISTON, PA 17319 USA

E98107

| Cat. No.     | Wire Range      | Wire Type | FW | TQ Lb In. | V   | A      | UG   | CA              |
|--------------|-----------------|-----------|----|-----------|-----|--------|------|-----------------|
| 221E         | 12              | Cu        | 1  | —         | 50  | 18     | B    | 2(65)*          |
| 221F         | 12              | Cu        | 1  | —         | 50  | 18     | B    | 2(65)*          |
| 20020 (@001) | 16-28 Str/Sol   | Cu        | 2  | 1.7       | 300 | 8      | B    | 2(115), 4, #9   |
| 20020 (@002) | 12-24 Str/Sol   | Cu        | 2  | 3.5       | 300 | 15     | B    | 2(115), 4, #10  |
| 20020 (@003) | 16-26 Sol/Str   | Cu        | 2  | 3         | 300 | 10     | B, D | 2(115), 4, #8   |
| 20020 (@004) | 12-24 Sol/Str   | Cu        | 2  | 5         | 300 | 20     | B    | 2(115), 4, #8   |
| 20020 (@005) | —               | —         | 1  | —         | 300 | 10     | B, D | 2(115), #8, #13 |
| 20020 (@006) | —               | —         | 1  | —         | 300 | 20     | B    | 2(115), #8, #13 |
| 20020 (@007) | 16-24 SOL/STR   | Cu        | 2  | 1.7       | 300 | 10     | B    | 2(115), 4       |
| 20020 (@008) | 12 - 22 Str/Sol | Cu        | 2  | 3.5       | 300 | 10     | B, D | 2(115), 4       |
| 20020 (@009) | 12 - 22 Str/Sol | Cu        | 2  | 3.5       | 300 | 10     | B, D | 2(115), 4       |
| 20020 (@010) | 12-28, Str/Sol  | Cu        | 2  | 3.5       | 300 | 16     | B    | 2(115), 4       |
| 20020 (@011) | 12-28, Str/Sol  | Cu        | 2  | 3.5       | 300 | 16     | B    | 2(115), 4       |
| 20020 (@012) | 24-8 Str/Sol    | Cu        | 2  | 7         | 300 | 32     | B    | 2(115), 4, #29  |
|              |                 |           |    |           | 300 | Note A | D    |                 |
| 20020 (@013) | —               | —         | 1  | —         | 300 | 32     | B    | 2(115), #29     |
|              |                 |           |    |           | 300 | Note A | D    |                 |
| 20020 (@014) | 10 - 24 Str/Sol | Cu        | 2  | 8.9       | 300 | 30     | B    | 2(115), 4       |
|              |                 |           |    |           | 300 | Note A | D    |                 |
|              |                 |           |    |           | 150 | 30     | C    |                 |
| 20020 (@015) | 10 - 24 Str/Sol | Cu        | 2  | 8.9       | 300 | 30     | B    | 2(115), 4       |
|              |                 |           |    |           | 300 | Note A | D    |                 |
|              |                 |           |    |           | 150 | 30     | C    |                 |

Note: A - These limited ratings are applicable to a terminal block for use in or with industrial control equipment whereby the load on any single circuit of the terminal block does not exceed 15 A at 51-150 V, or 10 A at 151-300 V, or the maximum ampere rating, whichever is less.

(@001) - Followed by 008, 009, 010, or 011, followed by -, followed by C or D, followed by 02 thru 24, followed by 1 thru 5, followed by A thru Z, followed by 01 thru ZZ, followed by LF.

(@015) - Followed by 706, followed by -, followed by J, S, X, or 4, followed by 02 or 03, followed by A thru E, followed by A thru Z, followed by 01 thru ZZ, followed by LF.



followed by C or D, followed by 02 thru 24, followed by 1 thru 5, followed by A thru Z, followed by 01 thru ZZ, followed by LF.

followed by G or H, followed by 02 thru 24, followed by 1 thru 5, followed by A thru Z, followed by 01 thru ZZ, followed by LF.

by C or D, followed by 02 thru 24, followed by 1 thru 5, followed by A thru Z, followed by 01 thru ZZ, followed by LF.

by G or H, followed by 02 thru 24, followed by 1 thru 5, followed by A thru Z, followed by 01 thru ZZ, followed by LF.

owed by -, followed by C or D, followed by 02 thru 24, followed by 1 thru 5, followed by A thru Z, followed by 01 thru ZZ, followed by LF.

owed by -, followed by G or H, followed by 02 thru 24, followed by 1 thru 5, followed by A thru Z, followed by 01 thru ZZ, followed by LF.

owed by 02 thru 24, followed by 1 thru 5, followed by A thru Z, followed by 01 thru ZZ, followed by LF.

owed by 02 thru 24, followed by 1 thru 5, followed by A thru Z, followed by 01 thru ZZ, followed by LF.

ad by -, followed by G, H, L, T, U, or Y, followed by 02 or 03, followed by A thru Z, followed by 01 thru ZZ, followed by LF.

ved by G, followed by 02 thru 24, followed by 1 thru 56, followed by A thru Z, followed by 01 thru ZZ, followed by LF.

y M, followed by 02 thru 16, followed by 1 thru 5, followed by A thru Z, followed by 01 thru ZZ, followed by LF.

by -, followed by M, followed by 02 thru 16, followed by 1 thru 5, followed by A thru Z, followed by 01 thru ZZ, followed by LF.

S, X, 1, or 4, followed by 02 or 03, followed by A thru E, followed by A thru Z, followed by 01 thru ZZ, followed by LF.



Marking: Company name or trademark on device. Catalog designation on device or smallest unit carton. Last Updated on 2009-07-27

Questions? [Notice of Disclaimer](#) [Page Top](#)

Copyright © 2009 Underwriters Laboratories Inc.®

The appearance of a company's name or product in this database does not in itself assure that products so identified have been manufactured under UL's Follow-Up Service. Only those products bearing the UL Mark should be considered to be Listed and covered under UL's Follow-Up Service. Always look for the Mark on the product.

UL permits the reproduction of the material contained in the Online Certification Directory subject to the following conditions: 1. The Guide Information, Designs and/or Listings (files) must be presented in their entirety and in a non-misleading manner, without any manipulation of the data (or drawings). 2. The statement "Reprinted from the Online Certifications Directory with permission from Underwriters Laboratories Inc." must appear adjacent to the extracted material. In addition, the reprinted material must include a copyright notice in the following format: "Copyright © 2009 Underwriters Laboratories Inc.®"



An independent organization working for a safer world with integrity, precision and knowledge.



| FCI part number                  | Pitch mm | Product description                          | No. of Pos. | Page |
|----------------------------------|----------|--|-------------|------|
| <b>PLUGGABLE TERMINAL BLOCKS</b> |          |  |             |      |
| 20020008-CYY1B01LF               | 3,50     | Pluggable plug / key on entry side / signal  | 02~24p      | 4    |
| 20020008-DYY1B01LF               | 3,81     | Pluggable plug / key on entry side / signal  | 02~24p      | 4    |
|                                  |          |  |             |      |
| 20020008-GYY1B01LF               | 5,00     | Pluggable plug / hook on entry side / signal | 02~24p      | 5    |
| 20020008-HYY1B01LF               | 5,08     | Pluggable plug / hook on entry side / signal | 02~24p      | 5    |
|                                  |          |  |             |      |
| 20020004-CYY1B01LF               | 3,50     | Pluggable plug / contact up side / signal    | 02~24p      | 6    |
| 20020004-DYY1B01LF               | 3,81     | Pluggable plug / contact up side / signal    | 02~24p      | 6    |
|                                  |          |  |             |      |
| 20020006-GYY1B01LF               | 5,00     | Pluggable plug / contact up side / signal    | 02~24p      | 7    |
| 20020006-HYY1B01LF               | 5,08     | Pluggable plug / contact up side / signal    | 02~24p      | 7    |
|                                  |          |  |             |      |
| 20020516-MYY1B01LF               | 7,62     | Pluggable plug / contact down side / power   | 02~16p      | 8    |
|                                  |          |  |             |      |
| 20020107-CYY1A01LF               | 3,50     | Pluggable socket / straight / signal         | 02~24p      | 9    |
| 20020107-DYY1A01LF               | 3,81     | Pluggable socket / straight / signal         | 02~24p      | 9    |
|                                  |          |  |             |      |
| 20020107-GYY1A01LF               | 5,00     | Pluggable socket / straight / signal         | 02~24p      | 10   |
| 20020107-HYY1A01LF               | 5,08     | Pluggable socket / straight / signal         | 02~24p      | 10   |
|                                  |          |  |             |      |
| 20020620-MYY1A01LF               | 7,62     | Pluggable socket / straight / power          | 02~16p      | 11   |
|                                  |          |  |             |      |
| 20020110-CYY1A01LF               | 3,50     | Pluggable socket / right angle / signal      | 02~24p      | 12   |
| 20020110-DYY1A01LF               | 3,81     | Pluggable socket / right angle / signal      | 02~24p      | 12   |
|                                  |          |  |             |      |
| 20020110-GYY1A01LF               | 5,00     | Pluggable socket / right angle / signal      | 02~24p      | 13   |
| 20020110-HYY1A01LF               | 5,08     | Pluggable socket / right angle / signal      | 02~24p      | 13   |
|                                  |          |  |             |      |
| 20020618-MYY1A01LF               | 7,62     | Pluggable socket / right angle / power       | 02~16p      | 14   |
|                                  |          |  |             |      |
| <b>FIXED TERMINAL BLOCKS</b>     |          |  |             |      |
| 20020327-CYY1B01LF               | 3,50     | Fixed 180° / horizontal / signal             | 02~24p      | 15   |
| 20020327-DYY1B01LF               | 3,81     | Fixed 180° / horizontal / signal             | 02~24p      | 15   |
|                                  |          |  |             |      |
| 20020316-GYY1B01LF               | 5,00     | Fixed 180° / horizontal / signal             | 02~24p      | 16   |
| 20020316-HYY1B01LF               | 5,08     | Fixed 180° / horizontal / signal             | 02~24p      | 16   |
|                                  |          |  |             |      |
| 20020705-MYY1B01LF               | 7,62     | Fixed 180° / horizontal / power              | 02~03p      | 17   |

For more information about e-catalog or FCI  
sales offices, headquarters, agents and local distributors,  
visit [www.fci.com](http://www.fci.com)



Americas - Phone: 1 (800) 237 2374  Europe - - Phone: 33 1 39 49 21 83  Asia/Pacific - Phone: 65 6549 6666

ELXTERMBLK1209EA4