



# Dura | Mate™

Circular Plastic Connectors for Heavy Duty Applications

Reliable Signal and Power Solutions





# Dura|Mate™



## Circular Plastic Connectors for Heavy Duty Applications Available in Size 24 with 7, 19, 23, 29 and 31 Insert Arrangements

The Amphenol Dura|Mate™ environmentally sealed multi-pin thermoplastic circular connector series provides an economical quick-connect bayonet locking system manufactured to withstand the challenges and complexities of harsh environment off-road applications.



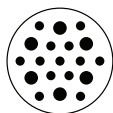
While maintaining compatibility with existing shell size 24 industry standard designs, ease of use was exceeded through enhanced ergonomics using an easy grip coupling system and visual and tactile indicators ensuring reliable mating confirmation. Wire management improvements include two different back shell systems that thread onto the rear of the connectors to provide strain relief and additional wire seal protection. The low cost, tie wrap option and the fully enclosed back shell are interchangeable for specific application requirements.



**24-7**

6 Size 12

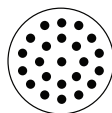
1 Size 8 **RADSOK®**



**24-19**

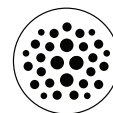
6 Size 12

13 Size 16



**24-23**

23 Size 16

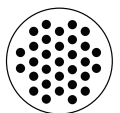


**24-29**

4 Size 12

19 Size 16

6 Size 20



**24-31**

31 Size 16



Its rugged high performance capability is ideal for panel mount or in-line heavy-duty applications such as commercial vehicle, agriculture, construction or marine installations.

## Features and Benefits

- Polarized for proper mating of connector halves
- High density signal and mixed power insert configurations
- Available in Size 24 with 5 insert arrangements (7, 19, 23, 29, 31)
- Operating temperature range: -55C to +125C
- High current configurations incorporating revolutionary **RADSOK®** contacts
- High strength impact resistant & lightweight thermoplastic housings
- Contacts available in economical reel-mounted high volume machine termination or in machined loose-piece form.
- Low insertion force stamped terminals offer improved manufacturing efficiencies
- Wire entry sealing available in three separate ranges for discrete wire applications:

Recommended Wire Insulation Overall Diameter (OD)			
Contact Size	Normal Seal	Thin Seal	Reduced Seal
20	N/A	N/A	1.02mm (.040") - 2.41mm (.095")
16	2.54mm (.100") - 3.40mm (.134")	2.23mm (.088") - 3.40mm (.134")	1.35mm (.053") - 3.05mm (.120")
12	3.43mm (.135") - 4.32mm (.170")	N/A	2.46mm (.097") - 4.01mm (.158")
8	4.83mm (.190") - 6.10mm (.240")	N/A	N/A

- Standard WTA(Wide Thread Adapter) provides maximum access to rear grommet and improved serviceability.
- Engineered rapid and secure mating system achieves IP67 protection from ingress of dust, water mud and other contaminants
- Redundant sealing features consisting of durable high temperature silicone provide barrier from lubricating oils, hydraulic fluids and fossil fuels.
- Rigid back shells maintain a compression-fit design to resist maximum pull-out forces and facilitate strain-relief for jacketed cable ranges.

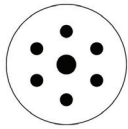
### Performance Specifications

### Shell Specifications

Current Rating per Contact	Size 8, 80A; Size 12, 25A; Size 16, 13A; Size 20, 7.5A	Coupling Nut	Thermoplastic
Operating Temperature	-55°C to +125°C	Insulation Insert	Thermoplastic
Dielectric Withstanding Voltage	Current Leakage - 12 milliamp at 1500 VAC	Seal	Silicone Rubber
Degree of Protection	IP67	Color	Black
Mating Cycle Durability	100 Cycles	Contact	Common System
RoHS	Compliant		

- Utilizes industry standard contact system
- Environmentally-sealed to IP67 and vibration resistant
- Wide threaded collar ring for increased serviceability and connector access (1)
- Highly visible indicators for quick alignment and 100% positive mating (2)
- Enclosed 1-piece threaded backshell with low-cost strain relief (3)
- Optional 2-piece threaded backshell with compression nut (4)
- Contact removal tools (5)
- **RADSOK®** contacts (6)
- Panel Nut, Size 24 (7)

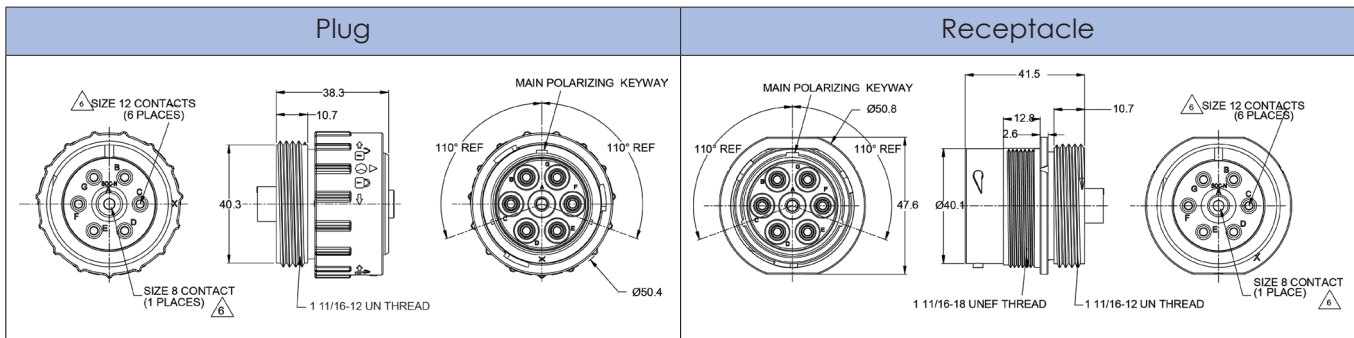




## 7 Position Plugs & Receptacles

Shell Size  
**24**

Contact Size:	<b>12</b>	<b>8</b>
Contact Qty:	6	1 <b>RADSOK®</b>
Seal OD Range: NORMAL SEAL	3.43mm (.135") - 4.32mm (.170")	4.83mm (.190") - 6.10mm (.240")
Wire Range (AWG):	10-14AWG	7-10AWG
Amperage:	25	80



Standard and reverse terminal genders allows for custom polarization

<b>Part Number</b> <b>AHDP06-24-07SN-WTA</b>	Gender: Standard Contact: Socket
Rear Seal Type: NORMAL, Green	
Description: Size 24 Plug with 7 positions, Socket, standard arrangement, normal seal, wide thread adapter	
Mating Part(s): AHDP04-24-07PN-WTA	
See Receptacle column on this page for more details	

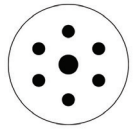
<b>Part Number</b> <b>AHDP04-24-07PN-WTA</b>	Gender: Standard Contact: Pin
Rear Seal Type: NORMAL, Green	
Description: Size 24 Receptacle with 7 positions, Pin, standard arrangement, normal seal, wide thread adapter	
Mating Part(s): AHDP06-24-07PN-WTA	
See Receptacle column on this page for more details	

<b>Part Number</b> <b>AHDP06-24-07PN-WTA</b>	Gender: Reversed Contact: Pin
Rear Seal Type: NORMAL, Green	
Description: Size 24 Plug with 7 positions, Pin, reverse arrangement, normal seal, wide thread adapter	
Mating Part(s): AHDP04-24-07SN-WTA	
See Receptacle column on this page for more details	

<b>Part Number</b> <b>AHDP04-24-07SN-WTA</b>	Gender: Reversed Contact: Socket
Rear Seal Type: NORMAL, Green	
Description: Size 24 Receptacle with 7 positions, Socket, reverse arrangement, normal seal, wide thread adapter	
Mating Part(s): AHDP06-24-07SN-WTA	
See Receptacle column on this page for more details	

For custom insert configurations, please consult factory

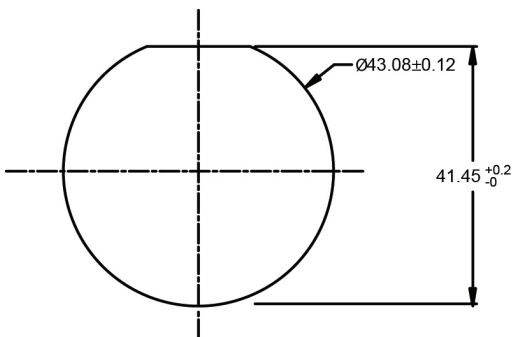
# 7 Position Plugs & Receptacles - Contacts



Shell Size  
**24**

Contact Size	Part #	Type	(Pin/Socket)	Wire Range (AWG)	AMP	Plating
8	SC000345	Machined <b>Radsok</b> ®	Pin	7-10	80	Silver
8	SC000346	Machined <b>Radsok</b> ®	Socket	7-10	80	Silver
12	AT60-204-12141	Machined	Pin	12-14	25	Nickel
12	AT60-220-1231	Machined	Pin	12-14	25	Gold
12	AT62-203-12141	Machined	Socket	12-14	25	Nickel
12	AT62-210-1231	Machined	Socket	12-14	25	Gold
12	AT60-12-0166	Stamped & Formed	Pin	12-14	25	Nickel
12	AT60-12-0144	Stamped & Formed	Pin	12-14	25	Gold
12	AT60-12-0222	Stamped & Formed	Pin	10-12	25	Nickel
12	AT60-12-0244	Stamped & Formed	Pin	10-12	25	Gold
12	AT62-12-0166	Stamped & Formed	Socket	12-14	25	Nickel
12	AT62-12-0144	Stamped & Formed	Socket	12-14	25	Gold
12	AT62-12-0222	Stamped & Formed	Socket	10-12	25	Nickel
12	AT62-12-0244	Stamped & Formed	Socket	10-12	25	Gold

Recommended Panel Mounting Hole  
Recommended panel thickness: 1.6 to 4.7mm



Part Number

**AHDP24-PN01**

Panel Nut, Shell Size 24



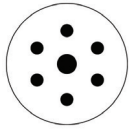
Part Number

**AT14-001-2486**

Metal Lock Washer  
Shell Size 24



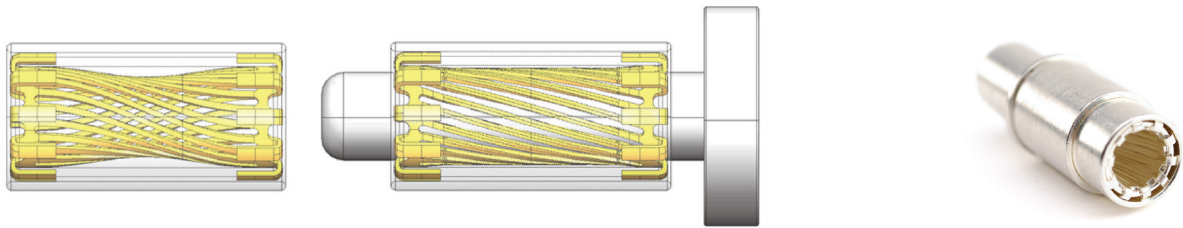
For custom insert configurations, please consult factory



## 7 Position Plugs & Receptacles - Contacts

Shell Size  
24

### RADSOK® Contacts



#### The RADSOK® Design

- Socket cylinder within female contact has several equally spaced longitudinal beams twisted into a hyperbolic shape
- As a male pin is inserted, axial members in the female half deflect, imparting high current flow across the connection with minimal voltage loss
- The hyperbolic, stamped grid configuration ensures a large, coaxial, face-to-face surface area engagement
- Ideal for crimp termination applications requiring repeated mating cycles and high current with a low multi-volt drop

### RADSOK® Technical Data

#### High Reliability

Unique RADSOK® design and construction technology creates an electrical contact interface that exceeds typical interconnect requirements. Applications in Aerospace, Medical, Industrial, Automotive, Mining, Offshore and other harsh environments depend on the high reliability of Amphenol RADSOK® technology.

#### Low Contact Engagement/Separation Forces

The hyperbolic lamella socket contact construction distributes normal forces over a high percentage of the mating surface. This creates a smooth, even engagement effort. This force distribution also contributes to excellent performance in vibration applications with resistance to typical fretting corrosion.

#### Low Contact Resistance

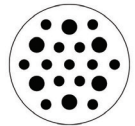
The large interface between the socket lamella and pin surface result in very low contact resistance, enabling the RADSOK® contacts high current ratings compared to traditional power contact designs.

#### High Mating Cycle Durability

RADSOK® contacts with typical silver plating finishes have demonstrated survival of 10,000 mating cycles. Even with continuous exposure to harsh environmental abuse (salt, sand and high humidity), RADSOK® contacts have been tested to maintain low contact resistance beyond 10,000 mating cycles.

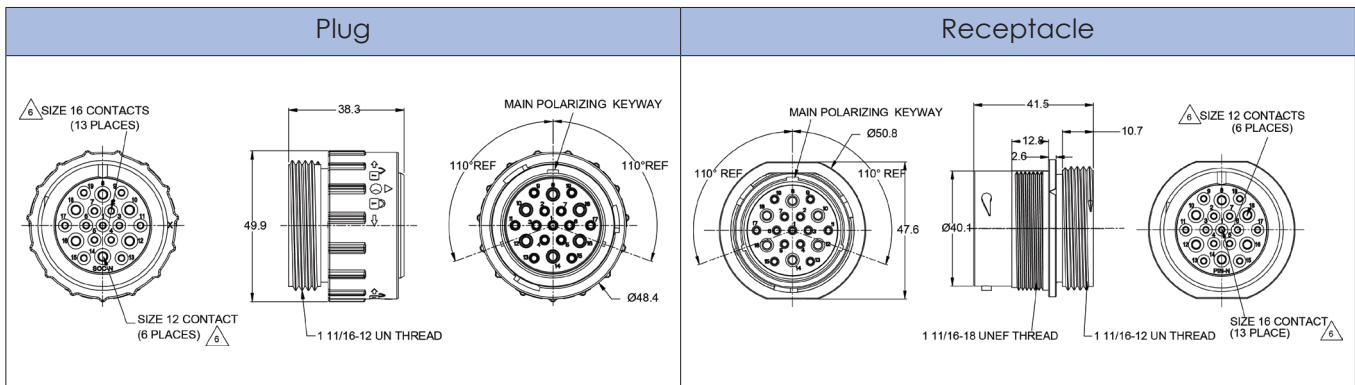


# 19 Position Plugs & Receptacles



Shell Size  
**24**

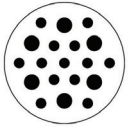
Contact Size:	<b>12</b>	<b>16</b>
Contact Qty:	6	13
Seal OD Range:		
<b>NORMAL SEAL</b>	3.43mm (.135")-4.32mm (.170")	2.54mm (.100")-3.40mm (.134")
<b>REDUCED SEAL</b>	2.46mm (.097")-4.01mm (.158")	1.35mm (.053")-3.05mm (.120")
Wire Range:	10-14AWG	14-20AWG
Amperage:	25	13



Standard and reverse terminal genders allows for custom polarization

<table border="1"> <tr> <td><b>Part Number</b> <b>AHDP06-24-19SN-WTA</b></td> <td>Gender: Standard Contact: Socket</td> </tr> <tr> <td colspan="2"><b>Rear Seal Type: NORMAL, Green</b></td> </tr> <tr> <td colspan="2">Description: Size 24 Plug with 19 positions, Socket, standard arrangement, normal seal, wide thread adapter</td> </tr> <tr> <td colspan="2">Mating Part(s): AHDP04-24-19PN-WTA AHDP04-24-19PR-WTA</td> </tr> <tr> <td colspan="2">See Receptacle column on this page for more details</td> </tr> </table>	<b>Part Number</b> <b>AHDP06-24-19SN-WTA</b>	Gender: Standard Contact: Socket	<b>Rear Seal Type: NORMAL, Green</b>		Description: Size 24 Plug with 19 positions, Socket, standard arrangement, normal seal, wide thread adapter		Mating Part(s): AHDP04-24-19PN-WTA AHDP04-24-19PR-WTA		See Receptacle column on this page for more details		<table border="1"> <tr> <td><b>Part Number</b> <b>AHDP04-24-19PN-WTA</b></td> <td>Gender: Standard Contact: Pin</td> </tr> <tr> <td colspan="2"><b>Rear Seal Type: NORMAL, Green</b></td> </tr> <tr> <td colspan="2">Description: Size 24 Receptacle with 19 positions, Pin, standard arrangement, normal seal, wide thread adapter</td> </tr> <tr> <td colspan="2">Mating Part(s): AHDP06-24-19SN-WTA AHDP06-24-19SR-WTA</td> </tr> <tr> <td colspan="2">See Plug column on this page for more details</td> </tr> </table>	<b>Part Number</b> <b>AHDP04-24-19PN-WTA</b>	Gender: Standard Contact: Pin	<b>Rear Seal Type: NORMAL, Green</b>		Description: Size 24 Receptacle with 19 positions, Pin, standard arrangement, normal seal, wide thread adapter		Mating Part(s): AHDP06-24-19SN-WTA AHDP06-24-19SR-WTA		See Plug column on this page for more details	
<b>Part Number</b> <b>AHDP06-24-19SN-WTA</b>	Gender: Standard Contact: Socket																				
<b>Rear Seal Type: NORMAL, Green</b>																					
Description: Size 24 Plug with 19 positions, Socket, standard arrangement, normal seal, wide thread adapter																					
Mating Part(s): AHDP04-24-19PN-WTA AHDP04-24-19PR-WTA																					
See Receptacle column on this page for more details																					
<b>Part Number</b> <b>AHDP04-24-19PN-WTA</b>	Gender: Standard Contact: Pin																				
<b>Rear Seal Type: NORMAL, Green</b>																					
Description: Size 24 Receptacle with 19 positions, Pin, standard arrangement, normal seal, wide thread adapter																					
Mating Part(s): AHDP06-24-19SN-WTA AHDP06-24-19SR-WTA																					
See Plug column on this page for more details																					
<table border="1"> <tr> <td><b>Part Number</b> <b>AHDP06-24-19SR-WTA</b></td> <td>Gender: Standard Contact: Socket</td> </tr> <tr> <td colspan="2"><b>Rear Seal Type: REDUCED SEAL, Blue</b></td> </tr> <tr> <td colspan="2">Description: Size 24 Plug with 19 positions, Socket, standard arrangement, RD01 reduced diameter seal, wide thread adapter</td> </tr> <tr> <td colspan="2">Mating Part(s): AHDP04-24-19PN-WTA AHDP04-24-19PR-WTA</td> </tr> <tr> <td colspan="2">See Receptacle column on this page for more details</td> </tr> </table>	<b>Part Number</b> <b>AHDP06-24-19SR-WTA</b>	Gender: Standard Contact: Socket	<b>Rear Seal Type: REDUCED SEAL, Blue</b>		Description: Size 24 Plug with 19 positions, Socket, standard arrangement, RD01 reduced diameter seal, wide thread adapter		Mating Part(s): AHDP04-24-19PN-WTA AHDP04-24-19PR-WTA		See Receptacle column on this page for more details		<table border="1"> <tr> <td><b>Part Number</b> <b>AHDP04-24-19PR-WTA</b></td> <td>Gender: Standard Contact: Pin</td> </tr> <tr> <td colspan="2"><b>Rear Seal Type: REDUCED SEAL, Blue</b></td> </tr> <tr> <td colspan="2">Description: Size 24 Receptacle with 19 positions, Pin, standard arrangement, RD01 reduced diameter, wide thread adapter</td> </tr> <tr> <td colspan="2">Mating Part(s): AHDP06-24-19SN-WTA AHDP06-24-19SR-WTA</td> </tr> <tr> <td colspan="2">See Plug column on this page for more details</td> </tr> </table>	<b>Part Number</b> <b>AHDP04-24-19PR-WTA</b>	Gender: Standard Contact: Pin	<b>Rear Seal Type: REDUCED SEAL, Blue</b>		Description: Size 24 Receptacle with 19 positions, Pin, standard arrangement, RD01 reduced diameter, wide thread adapter		Mating Part(s): AHDP06-24-19SN-WTA AHDP06-24-19SR-WTA		See Plug column on this page for more details	
<b>Part Number</b> <b>AHDP06-24-19SR-WTA</b>	Gender: Standard Contact: Socket																				
<b>Rear Seal Type: REDUCED SEAL, Blue</b>																					
Description: Size 24 Plug with 19 positions, Socket, standard arrangement, RD01 reduced diameter seal, wide thread adapter																					
Mating Part(s): AHDP04-24-19PN-WTA AHDP04-24-19PR-WTA																					
See Receptacle column on this page for more details																					
<b>Part Number</b> <b>AHDP04-24-19PR-WTA</b>	Gender: Standard Contact: Pin																				
<b>Rear Seal Type: REDUCED SEAL, Blue</b>																					
Description: Size 24 Receptacle with 19 positions, Pin, standard arrangement, RD01 reduced diameter, wide thread adapter																					
Mating Part(s): AHDP06-24-19SN-WTA AHDP06-24-19SR-WTA																					
See Plug column on this page for more details																					

For custom insert configurations, please consult factory



## 19 Position Plugs & Receptacles - Contacts

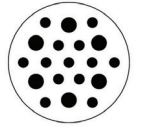
Shell Size  
**24**

Plug		Receptacle	
<b>Part Number</b> <b>AHDP06-24-19PN-WTA</b>	<b>Gender: Reversed</b> <b>Contact: Pin</b>	<b>Part Number</b> <b>AHDP04-24-19SN-WTA</b>	<b>Gender: Reversed</b> <b>Contact: Socket</b>
Rear Seal Type: NORMAL, Green		Rear Seal Type: NORMAL, Green	
Description: Size 24 Plug with 19 positions, Pin, reverse arrangement, normal seal, wide thread adapter		Description: Size 24 Receptacle with 19 positions, Socket, reverse arrangement, normal seal, wide thread adapter	
Mating Part(s): AHDP04-24-19SN-WTA AHDP04-24-19SR-WTA		Mating Part(s): AHDP06-24-19PN-WTA AHDP06-24-19PR-WTA	
See Receptacle column on this page for more details		See Plug column on this page for more details	
<b>Part Number</b> <b>AHDP06-24-19PR-WTA</b>	<b>Gender: Reversed</b> <b>Contact: Pin</b>	<b>Part Number</b> <b>AHDP04-24-19SR-WTA</b>	<b>Gender: Reversed</b> <b>Contact: Socket</b>
Rear Seal Type: REDUCED SEAL, Blue		Rear Seal Type: REDUCED SEAL, Blue	
Description: Size 24 Plug with 19 positions, Pin, reverse arrangement, RD01 reduced diameter seal, wide thread adapter		Description: Size 24 Receptacle with 19 positions, Socket, reverse arrangement, RD01 reduced diameter, wide thread adapter	
Mating Part(s): AHDP04-24-19SN-WTA AHDP04-24-19SR-WTA		Mating Part(s): AHDP06-24-19PN-WTA AHDP06-24-19PR-WTA	
See Receptacle column on this page for more details		See Plug column on this page for more details	

## 19 Position Plugs & Receptacles- Contacts

Contact Size	Part #	Type	(Pin/Socket)	Wire Range (AWG)	AMP	Plating
12	AT60-220-1231	Machined	Pin	12-14	25	Gold
12	AT60-204-12141	Machined	Pin	12-14	25	Nickel
12	AT62-210-1231	Machined	Socket	12-14	25	Gold
12	AT62-203-12141	Machined	Socket	12-14	25	Nickel
12	AT60-12-0244	Stamped & Formed	Pin	10-12	25	Gold
12	AT60-12-0166	Stamped & Formed	Pin	12-14	25	Nickel
12	AT60-12-0144	Stamped & Formed	Pin	12-14	25	Gold
12	AT60-12-0222	Stamped & Formed	Pin	10-12	25	Nickel
12	AT62-12-0144	Stamped & Formed	Socket	12-14	25	Gold
12	AT62-12-0222	Stamped & Formed	Socket	10-12	25	Nickel
12	AT62-12-0244	Stamped & Formed	Socket	10-12	25	Gold
12	AT62-12-0166	Stamped & Formed	Socket	12-14	25	Nickel

# 19 Position Plugs & Receptacles- Contacts (con't)

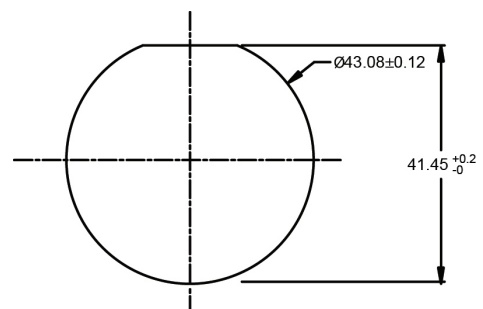


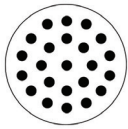
Shell Size  
**24**

Contact Size	Part #	Type	(Pin/Socket)	Wire Range (AWG)	AMP	Plating
16	AT60-215-1631	Machined	Pin	14	13	Gold
16	AT60-215-16141	Machined	Pin	14	13	Nickel
16	AT60-202-1631	Machined	Pin	16-20	13	Gold
16	AT60-202-16141	Machined	Pin	16-20	13	Nickel
16	AT62-209-1631	Machined	Socket	14	13	Gold
16	AT62-209-16141	Machined	Socket	14	13	Nickel
16	AT62-201-1631	Machined	Socket	16-20	13	Gold
16	AT62-201-16141	Machined	Socket	16-20	13	Nickel
16	AT60-14-0144	Stamped & Formed	Pin	14-16	13	Gold
16	AT60-14-0122	Stamped & Formed	Pin	14-16	13	Nickel
16	AT60-16-0144	Stamped & Formed	Pin	16-18	13	Gold
16	AT60-16-0122	Stamped & Formed	Pin	16-18	13	Nickel
16	AT60-16-0644	Stamped & Formed	Pin	18-20	13	Gold
16	AT60-16-0622	Stamped & Formed	Pin	18-20	13	Nickel
16	AT62-14-0144	Stamped & Formed	Socket	14-16	13	Gold
16	AT62-14-0122	Stamped & Formed	Socket	14-16	13	Nickel
16	AT62-16-0144	Stamped & Formed	Socket	16-18	13	Gold
16	AT62-16-0122	Stamped & Formed	Socket	16-18	13	Nickel
16	AT62-16-0644	Stamped & Formed	Socket	18-20	13	Gold
16	AT62-16-0622	Stamped & Formed	Socket	18-20	13	Nickel



Recommended Panel Mounting Hole  
 Recommended panel thickness: 1.6 to 4.7mm

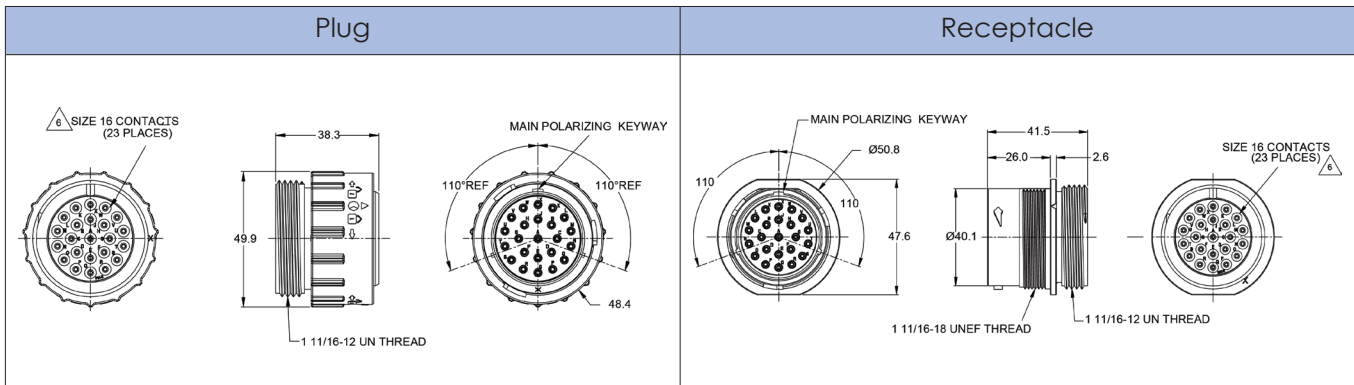




## 23 Position Plugs & Receptacles

Shell Size  
**24**

Contact Size:	<b>16</b>
Contact Qty:	23
Seal OD Range:	
<b>NORMAL SEAL</b>	2.54mm (.100") - 3.40mm (.134")
<b>REDUCED SEAL</b>	1.35mm (.053") - 3.05mm (.120")
Wire Range:	14-20AWG
Amperage:	13

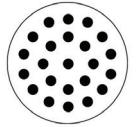


*Standard and reverse terminal genders allows for custom polarization*

<table border="1"> <tr> <td><b>Part Number</b> <b>AHDP06-24-23SN-WTA</b></td> <td>Gender: Standard Contact: Socket</td> </tr> <tr> <td colspan="2">Rear Seal Type: <b>NORMAL, Green</b></td> </tr> <tr> <td colspan="2">Description: Size 24 Plug with 23 positions, Socket, standard arrangement, normal seal, wide thread adapter</td> </tr> <tr> <td colspan="2">Mating Part(s): AHDP04-24-23PN-WTA AHDP04-24-23PR-WTA</td> </tr> <tr> <td colspan="2"><i>See Receptacle column on this page for more details</i></td> </tr> </table>	<b>Part Number</b> <b>AHDP06-24-23SN-WTA</b>	Gender: Standard Contact: Socket	Rear Seal Type: <b>NORMAL, Green</b>		Description: Size 24 Plug with 23 positions, Socket, standard arrangement, normal seal, wide thread adapter		Mating Part(s): AHDP04-24-23PN-WTA AHDP04-24-23PR-WTA		<i>See Receptacle column on this page for more details</i>		<table border="1"> <tr> <td><b>Part Number</b> <b>AHDP04-24-23PN-WTA</b></td> <td>Gender: Standard Contact: Pin</td> </tr> <tr> <td colspan="2">Rear Seal Type: <b>NORMAL, Green</b></td> </tr> <tr> <td colspan="2">Description: Size 24 Receptacle with 23 positions, Pin, standard arrangement, normal seal, wide thread adapter</td> </tr> <tr> <td colspan="2">Mating Part(s): AHDP06-24-23SN-WTA AHDP06-24-23SR-WTA</td> </tr> <tr> <td colspan="2"><i>See Plug column on this page for more details</i></td> </tr> </table>	<b>Part Number</b> <b>AHDP04-24-23PN-WTA</b>	Gender: Standard Contact: Pin	Rear Seal Type: <b>NORMAL, Green</b>		Description: Size 24 Receptacle with 23 positions, Pin, standard arrangement, normal seal, wide thread adapter		Mating Part(s): AHDP06-24-23SN-WTA AHDP06-24-23SR-WTA		<i>See Plug column on this page for more details</i>	
<b>Part Number</b> <b>AHDP06-24-23SN-WTA</b>	Gender: Standard Contact: Socket																				
Rear Seal Type: <b>NORMAL, Green</b>																					
Description: Size 24 Plug with 23 positions, Socket, standard arrangement, normal seal, wide thread adapter																					
Mating Part(s): AHDP04-24-23PN-WTA AHDP04-24-23PR-WTA																					
<i>See Receptacle column on this page for more details</i>																					
<b>Part Number</b> <b>AHDP04-24-23PN-WTA</b>	Gender: Standard Contact: Pin																				
Rear Seal Type: <b>NORMAL, Green</b>																					
Description: Size 24 Receptacle with 23 positions, Pin, standard arrangement, normal seal, wide thread adapter																					
Mating Part(s): AHDP06-24-23SN-WTA AHDP06-24-23SR-WTA																					
<i>See Plug column on this page for more details</i>																					
<table border="1"> <tr> <td><b>Part Number</b> <b>AHDP06-24-23SR-WTA</b></td> <td>Gender: Standard Contact: Pin</td> </tr> <tr> <td colspan="2">Rear Seal Type: <b>REDUCED SEAL, Blue</b></td> </tr> <tr> <td colspan="2">Description: Size 24 Plug with 23 positions, Pin, standard arrangement, RD01 reduced diameter seal, wide thread adapter</td> </tr> <tr> <td colspan="2">Mating Part(s): AHDP04-24-23PN-WTA AHDP04-24-23PR-WTA</td> </tr> <tr> <td colspan="2"><i>See Receptacle column on this page for more details</i></td> </tr> </table>	<b>Part Number</b> <b>AHDP06-24-23SR-WTA</b>	Gender: Standard Contact: Pin	Rear Seal Type: <b>REDUCED SEAL, Blue</b>		Description: Size 24 Plug with 23 positions, Pin, standard arrangement, RD01 reduced diameter seal, wide thread adapter		Mating Part(s): AHDP04-24-23PN-WTA AHDP04-24-23PR-WTA		<i>See Receptacle column on this page for more details</i>		<table border="1"> <tr> <td><b>Part Number</b> <b>AHDP04-24-23PR-WTA</b></td> <td>Gender: Standard Contact: Pin</td> </tr> <tr> <td colspan="2">Rear Seal Type: <b>REDUCED SEAL, Blue</b></td> </tr> <tr> <td colspan="2">Description: Size 24 Receptacle with 23 positions, Pin, standard arrangement, RD01 reduced diameter seal, wide thread adapter</td> </tr> <tr> <td colspan="2">Mating Part(s): AHDP06-24-23SN-WTA AHDP06-24-23SR-WTA</td> </tr> <tr> <td colspan="2"><i>See Plug column on this page for more details</i></td> </tr> </table>	<b>Part Number</b> <b>AHDP04-24-23PR-WTA</b>	Gender: Standard Contact: Pin	Rear Seal Type: <b>REDUCED SEAL, Blue</b>		Description: Size 24 Receptacle with 23 positions, Pin, standard arrangement, RD01 reduced diameter seal, wide thread adapter		Mating Part(s): AHDP06-24-23SN-WTA AHDP06-24-23SR-WTA		<i>See Plug column on this page for more details</i>	
<b>Part Number</b> <b>AHDP06-24-23SR-WTA</b>	Gender: Standard Contact: Pin																				
Rear Seal Type: <b>REDUCED SEAL, Blue</b>																					
Description: Size 24 Plug with 23 positions, Pin, standard arrangement, RD01 reduced diameter seal, wide thread adapter																					
Mating Part(s): AHDP04-24-23PN-WTA AHDP04-24-23PR-WTA																					
<i>See Receptacle column on this page for more details</i>																					
<b>Part Number</b> <b>AHDP04-24-23PR-WTA</b>	Gender: Standard Contact: Pin																				
Rear Seal Type: <b>REDUCED SEAL, Blue</b>																					
Description: Size 24 Receptacle with 23 positions, Pin, standard arrangement, RD01 reduced diameter seal, wide thread adapter																					
Mating Part(s): AHDP06-24-23SN-WTA AHDP06-24-23SR-WTA																					
<i>See Plug column on this page for more details</i>																					

For custom insert configurations, please consult factory

# 23 Position Plugs & Receptacles



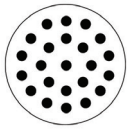
Shell Size  
**24**

Plug		Receptacle	
<b>Part Number</b> <b>AHDP06-24-23PN-WTA</b>	Gender: Reversed Contact: Pin	<b>Part Number</b> <b>AHDP04-24-23SN-WTA</b>	Gender: Reversed Contact: Socket
Rear Seal Type: NORMAL, Green		Rear Seal Type: NORMAL, Green	
Description: Size 24 Plug with 23 positions, Pin, reverse arrangement, normal seal, wide thread adapter		Description: Size 24 Receptacle with 23 positions, Socket, reverse arrangement, normal seal, wide thread adapter	
Mating Part(s): AHDP04-24-23SN-WTA AHDP04-24-23SR-WTA		Mating Part(s): AHDP06-24-23PN-WTA AHDP06-24-23PR-WTA	
See Receptacle column on this page for more details		See Plug column on this page for more details	
<b>Part Number</b> <b>AHDP06-24-23PR-WTA</b>	Gender: Reversed Contact: Pin	<b>Part Number</b> <b>AHDP04-24-23SR-WTA</b>	Gender: Reversed Contact: Socket
Rear Seal Type: REDUCED SEAL, Blue		Rear Seal Type: REDUCED SEAL, Blue	
Description: Size 24 Plug with 23 positions, Pin, reverse arrangement, RD01 reduced diameter seal, wide thread adapter		Description: Size 24 Receptacle with 23 positions, Socket, reverse arrangement, RD01 reduced diameter seal, wide thread adapter	
Mating Part(s): AHDP04-24-23SN-WTA AHDP04-24-23SR-WTA		Mating Part(s): AHDP06-24-23PN-WTA AHDP06-24-23PR-WTA	
See Receptacle column on this page for more details		See Plug column on this page for more details	

## 23 Position Plugs & Receptacles - Contacts

Contact Size	Part #	Type	(Pin/Socket)	Wire Range (AWG)	AMP	Plating
16	AT60-202-16141	Machined	Pin	16-20	13	Nickel
16	AT60-202-1631	Machined	Pin	16-20	13	Gold
16	AT60-215-16141	Machined	Pin	14	13	Nickel
16	AT60-215-1631	Machined	Pin	14	13	Gold
16	AT62-201-16141	Machined	Socket	16-20	13	Nickel
16	AT62-201-1631	Machined	Socket	16-20	13	Gold
16	AT62-209-16141	Machined	Socket	14	13	Nickel
16	AT62-209-1631	Machined	Socket	14	13	Gold
16	AT60-14-0122	Stamped & Formed	Pin	14-16	13	Nickel
16	AT60-14-0144	Stamped & Formed	Pin	14-16	13	Gold
16	AT60-16-0122	Stamped & Formed	Pin	16-18	13	Nickel
16	AT60-16-0144	Stamped & Formed	Pin	16-18	13	Gold

For custom insert configurations, please consult factory

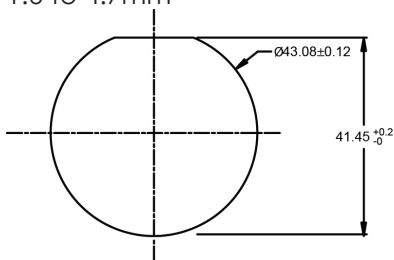


## 23 Position Plugs & Receptacles Contacts

Shell Size  
**24**

Contact Size	Part #	Type	(Pin/Socket)	Wire Range (AWG)	AMP	Plating
16	AT60-16-0622	Stamped & Formed	Pin	18-20	13	Nickel
16	AT60-16-0644	Stamped & Formed	Pin	18-20	13	Gold
16	AT62-14-0122	Stamped & Formed	Socket	14-16	13	Nickel
16	AT62-14-0144	Stamped & Formed	Socket	14-16	13	Gold
16	AT62-16-0122	Stamped & Formed	Socket	16-18	13	Nickel
16	AT62-16-0144	Stamped & Formed	Socket	16-18	13	Gold
16	AT62-16-0622	Stamped & Formed	Socket	18-20	13	Nickel
16	AT62-16-0644	Stamped & Formed	Socket	18-20	13	Gold

Recommended Panel Mounting Hole  
Recommended Panel Thickness:  
1.6 to 4.7mm



**Part Number**

**AHDP24-PN01**

Panel Nut, Shell Size 24



**Part Number**

**AT14-001-2486**

Metal Lock Washer  
Shell Size 24

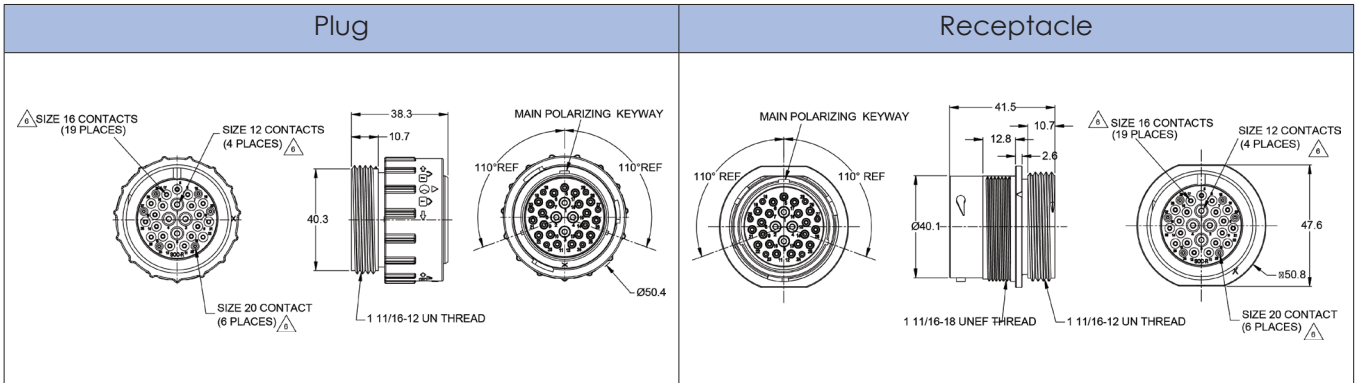


# 29 Position Plugs & Receptacles



Shell Size  
**24**

Contact Size:	<b>20</b>	<b>16</b>	<b>12</b>
Contact Qty:	6	19	4
Seal OD Range:			
<b>REDUCED SEAL</b>	1.02mm (.040") - 2.41mm (.095")	1.35mm (.053") - 3.05mm (.120")	2.46mm (.097") - 4.01mm (.158")
Wire Range:	16-22AWG	14-20AWG	10-14AWG
Amperage:	7.5	13	25



Standard and reverse terminal genders allows for custom polarization

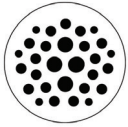
<b>Part Number</b> <b>AHDP06-24-29SR-WTA</b>	Gender: Standard Contact: Socket
Rear Seal Type: REDUCED SEAL, Blue	
Description: Size 24 Plug with 29 positions, Socket standard arrangement, RD01 reduced diameter seal, wide thread adapter	
Mating Part(s): AHDP04-24-29PR-WTA	
See Receptacle column on this page for more details	

<b>Part Number</b> <b>AHDP04-24-29PR-WTA</b>	Gender: Standard Contact: Pin
Rear Seal Type: REDUCED SEAL, Blue	
Description: Size 24 Receptacle with 29 positions, Pin, standard arrangement, RD01 reduced diameter seal, wide thread adapter	
Mating Part(s): AHDP06-24-29SR-WTA	
See Plug column on this page for more details	

<b>Part Number</b> <b>AHDP06-24-29PR-WTA</b>	Gender: Reversed Contact: Socket
Rear Seal Type: REDUCED SEAL, Blue	
Description: Size 24 Plug with 29 positions, Socket reverse arrangement, RD01 reduced diameter seal, wide thread adapter	
Mating Part(s): AHDP04-24-29SR-WTA	
See Receptacle column on this page for more details	

<b>Part Number</b> <b>AHDP04-24-29SR-WTA</b>	Gender: Reversed Contact: Socket
Rear Seal Type: REDUCED SEAL, Blue	
Description: Size 24 Receptacle with 29 positions, Socket, reverse arrangement, RD01 reduced diameter seal, wide thread adapter	
Mating Part(s): AHDP06-24-29PR-WTA	
See Plug column on this page for more details	

For custom insert configurations, please consult factory



## 29 Position Plugs & Receptacles Contacts

Shell Size  
**24**

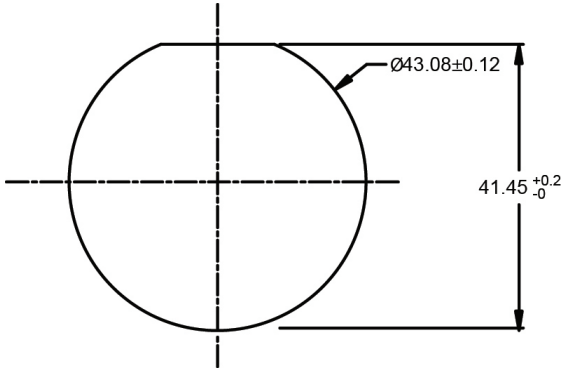
Contact Size	Part #	Type	(Pin/Socket)	Wire Range (AWG)	AMP	Plating
12	AT60-204-12141	Machined	Pin	12-14	25	Nickel
12	AT60-220-1231	Machined	Pin	12-14	25	Gold
12	AT62-203-12141	Machined	Socket	12-14	25	Nickel
12	AT62-210-1231	Machined	Socket	12-14	25	Gold
12	AT60-12-0166	Stamped & Formed	Pin	12-14	25	Nickel
12	AT60-12-0144	Stamped & Formed	Pin	12-14	25	Gold
12	AT60-12-0222	Stamped & Formed	Pin	10-12	25	Nickel
12	AT60-12-0244	Stamped & Formed	Pin	10-12	25	Gold
12	AT62-12-0166	Stamped & Formed	Socket	12-14	25	Nickel
12	AT62-12-0144	Stamped & Formed	Socket	12-14	25	Gold
12	AT62-12-0222	Stamped & Formed	Socket	10-12	25	Nickel
12	AT62-12-0244	Stamped & Formed	Socket	10-12	25	Gold
16	AT60-202-16141	Machined	Pin	16-20	13	Nickel
16	AT60-202-1631	Machined	Pin	16-20	13	Gold
16	AT60-215-16141	Machined	Pin	14	13	Nickel
16	AT60-215-1631	Machined	Pin	14	13	Gold
16	AT62-201-16141	Machined	Socket	16-20	13	Nickel
16	AT62-201-1631	Machined	Socket	16-20	13	Gold
16	AT62-209-16141	Machined	Socket	14	13	Nickel
16	AT62-209-1631	Machined	Socket	14	13	Gold
16	AT60-14-0122	Stamped & Formed	Pin	14-16	13	Nickel
16	AT60-14-0144	Stamped & Formed	Pin	14-16	13	Gold
16	AT60-16-0122	Stamped & Formed	Pin	16-18	13	Nickel
16	AT60-16-0144	Stamped & Formed	Pin	16-18	13	Gold
16	AT60-16-0622	Stamped & Formed	Pin	18-20	13	Nickel
16	AT60-16-0644	Stamped & Formed	Pin	18-20	13	Gold
16	AT62-14-0122	Stamped & Formed	Socket	14-16	13	Nickel
16	AT62-14-0144	Stamped & Formed	Socket	14-16	13	Gold
16	AT62-16-0122	Stamped & Formed	Socket	16-18	13	Nickel
16	AT62-16-0144	Stamped & Formed	Socket	16-18	13	Gold
16	AT62-16-0622	Stamped & Formed	Socket	18-20	13	Nickel
16	AT62-16-0644	Stamped & Formed	Socket	18-20	13	Gold
20	AT60-202-20141	Machined	Pin	20-22	7.5	Nickel
20	AT60-202-2031	Machined	Pin	20-22	7.5	Gold
20	AT62-201-20141	Machined	Socket	20-22	7.5	Nickel
20	AT62-201-2031	Machined	Socket	20-22	7.5	Gold
20	AT60-20-0122	Stamped & Formed	Pin	16-22	7.5	Nickel
20	AT60-20-0144	Stamped & Formed	Pin	16-22	7.5	Gold
20	AT62-20-0122	Stamped & Formed	Socket	16-22	7.5	Nickel
20	AT62-20-0144	Stamped & Formed	Socket	16-22	7.5	Gold





Shell Size  
**24**

Recommended Panel Mounting Hole  
Recommended panel thickness: 1.6 to 4.7mm



**Part Number**  
**AHDP24-PN01**

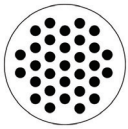
Panel Nut, Shell Size 24



**Part Number**  
**AT14-001-2486**

Metal Lock Washer  
Shell Size 24

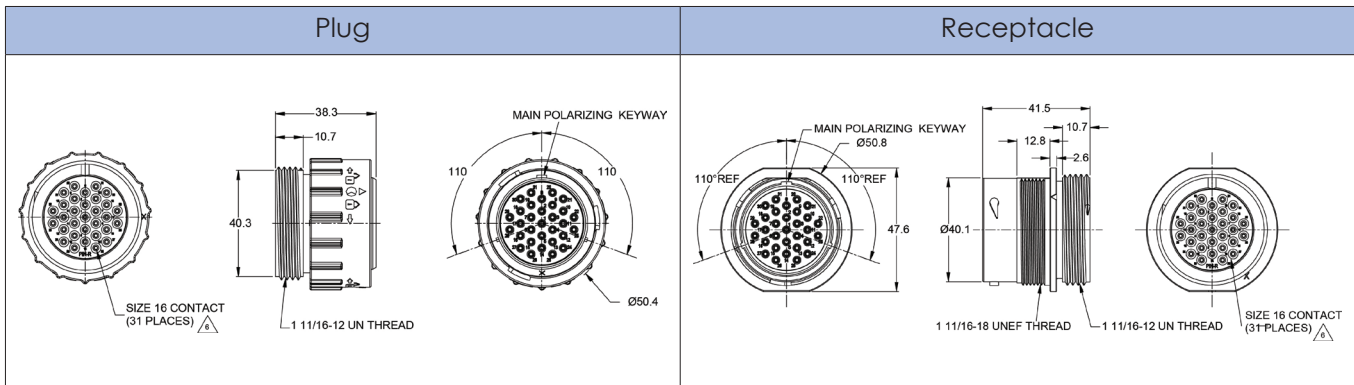




Shell Size  
**24**

## 31 Position Plugs & Receptacles

Contact Size:	<b>16</b>
Contact Qty:	31
Seal OD Range:	
<b>REDUCED SEAL</b>	1.35mm (.053") - 3.05mm (.120")
THIN SEAL	2.23mm (.088") - 3.40mm (.134")
Wire Range (AWG):	14-20AWG
Amperage:	13



*Standard and reverse terminal genders allows for custom polarization*

<b>Part Number</b> <b>AHDP06-24-31SR-WTA</b>	Gender: Standard Contact: Socket
Rear Seal Type: REDUCED SEAL, Blue	
Description: Size 24 Plug with 31 positions, Socket, standard arrangement, RD01 reduced diameter seal, wide thread adapter	
Mating Part(s): AHDP04-24-31PR-WTA AHDP04-24-31PT-WTA	
<i>See Receptacle column on this page for more details</i>	

<b>Part Number</b> <b>AHDP04-24-31PR-WTA</b>	Gender: Standard Contact: Pin
Rear Seal Type: REDUCED SEAL, Blue	
Description: Size 24 Receptacle with 31 positions, Pin, standard arrangement, RD01 reduced diameter seal, wide thread adapter	
Mating Part(s): AHDP06-24-31SR-WTA AHDP06-24-31ST-WTA	
<i>See Plug column on this page for more details</i>	

<b>Part Number</b> <b>AHDP06-24-31ST-WTA</b>	Gender: Standard Contact: Socket
Rear Seal Type: THIN SEAL, Grey	
Description: Size 24 Plug with 31 positions, Socket, standard arrangement, thin seal, wide thread adapter	
Mating Part(s): AHDP04-24-31PR-WTA AHDP04-24-31PT-WTA	
<i>See Receptacle column on this page for more details</i>	

<b>Part Number</b> <b>AHDP04-24-31PT-WTA</b>	Gender: Standard Contact: Pin
Rear Seal Type: THIN SEAL, Grey	
Description: Size 24 Receptacle with 31 positions, Pin, standard arrangement, thin seal, wide thread adapter	
Mating Part(s): AHDP06-24-31SR-WTA AHDP06-24-31ST-WTA	
<i>See Plug column on this page for more details</i>	

For custom insert configurations, please consult factory

# 31 Position Plugs & Receptacles

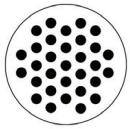


Shell Size  
**24**

Plug		Receptacle	
<b>Part Number</b> <b>AHDP06-24-31PR-WTA</b>	Gender: Reversed Contact: Pin	<b>Part Number</b> <b>AHDP04-24-31SR-WTA</b>	Gender: Reversed Contact: Socket
Rear Seal Type: REDUCED SEAL, Blue		Rear Seal Type: REDUCED SEAL, Blue	
Description: Size 24 Plug with 31 positions, Pin, reverse arrangement, RD01 reduced diameter seal, wide thread adapter		Description: Size 24 Receptacle with 31 positions, Socket, reverse arrangement, RD01 reduced diameter seal, wide thread adapter	
Mating Part(s): AHDP04-24-31SR-WTA AHDP04-24-31ST-WTA		Mating Part(s): AHDP06-24-31PR-WTA AHDP06-24-31PT-WTA	
<i>See Receptacle column on this page for more details</i>		<i>See Plug column on this page for more details</i>	
<b>Part Number</b> <b>AHDP06-24-31PT-WTA</b>	Gender: Reversed Contact: Pin	<b>Part Number</b> <b>AHDP04-24-31ST-WTA</b>	Gender: Reversed Contact: Socket
Rear Seal Type: THIN SEAL, Grey		Rear Seal Type: THIN SEAL, Grey	
Description: Size 24 Plug with 31 positions, Pin, reverse arrangement, thin seal, wide thread adapter		Description: Size 24 Receptacle with 31 positions, Socket, reverse arrangement, thin seal, wide thread adapter	
Mating Part(s): AHDP04-24-31SR-WTA AHDP04-24-31ST-WTA		Mating Part(s): AHDP06-24-31PR-WTA AHDP06-24-31PT-WTA	
<i>See Receptacle column on this page for more details</i>		<i>See Plug column on this page for more details</i>	

## 31 Pin Plugs & Receptacles - Contacts

Contact Size	Part #	Type	(Pin/Socket)	Wire Range (AWG)	AMP	Plating
16	AT60-202-16141	Machined	Pin	16-20	13	Nickel
16	AT60-202-1631	Machined	Pin	16-20	13	Gold
16	AT60-215-16141	Machined	Pin	14	13	Nickel
16	AT60-215-1631	Machined	Pin	14	13	Gold
16	AT62-201-16141	Machined	Socket	16-20	13	Nickel
16	AT62-201-1631	Machined	Socket	16-20	13	Gold
16	AT62-209-16141	Machined	Socket	14	13	Nickel
16	AT62-209-1631	Machined	Socket	14	13	Gold
16	AT60-14-0122	Stamped & Formed	Pin	14-16	13	Nickel
16	AT60-14-0144	Stamped & Formed	Pin	14-16	13	Gold

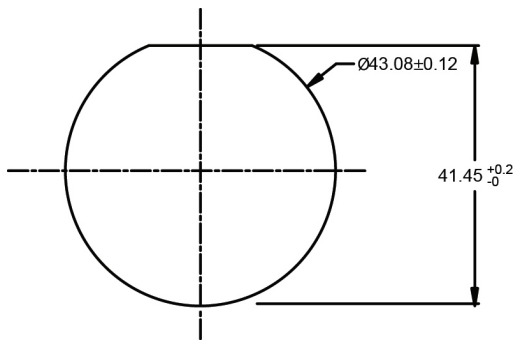


# 31 Position Plugs & Receptacles

Shell Size  
24

Contact Size	Part #	Type	(Pin/Socket)	Wire Range (AWG)	AMP	Plating
16	AT60-16-0122	Stamped & Formed	Pin	16-18	13	Nickel
16	AT60-16-0144	Stamped & Formed	Pin	16-18	13	Gold
16	AT60-16-0622	Stamped & Formed	Pin	18-20	13	Nickel
16	AT60-16-0644	Stamped & Formed	Pin	18-20	13	Gold
16	AT62-14-0122	Stamped & Formed	Socket	14-16	13	Nickel
16	AT62-14-0144	Stamped & Formed	Socket	14-16	13	Gold
16	AT62-16-0122	Stamped & Formed	Socket	16-18	13	Nickel
16	AT62-16-0144	Stamped & Formed	Socket	16-18	13	Gold
16	AT62-16-0622	Stamped & Formed	Socket	18-20	13	Nickel
16	AT62-16-0644	Stamped & Formed	Socket	18-20	13	Gold

Recommended Panel Mounting Hole  
Recommended Panel thickness: 1.6 to 4.7mm



**Part Number**  
**AHDP24-PN01**

Panel Nut, Shell Size 24

**Part Number**  
**AT14-001-2486**

Metal Lock Washer  
Shell Size 24

**Part Number**  
**WA23-DS**

Heavy Duty Pneumatic Crimp Tool



**Part Number**  
**WA23-2**

Die Assembly for CA-5E12 Heavy Duty Pneumatic Crimp Tool, Size 8



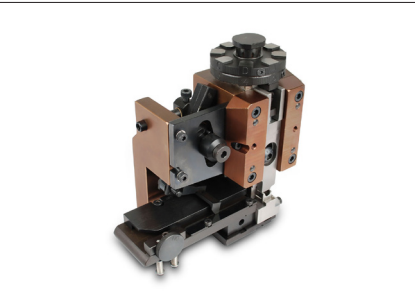
**Part Number**  
**WA23-10**

Contact Locator, Size 8



**Part Number**  
**MFX-3973**

Size 12 Crimp Die for Stamped and Formed Contacts



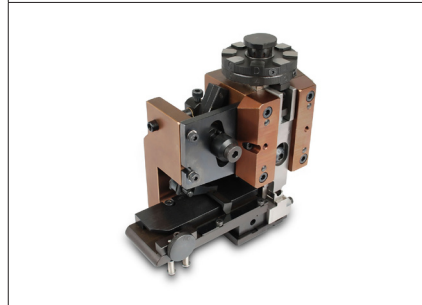
**Part Number**  
**MFX-3950**

Size 16 Crimp Die for Stamped and Formed Contacts 18-20AWG



**Part Number**  
**MFX-3953**

Size 16 Crimp Die for Stamped and Formed Contacts 16-18AWG



**Part Number**  
**MFX-3974**

Size 20 Crimp Die for Stamped and Formed Contacts



**Part Number**  
**CA-5D12**

Universal Hand Crimp Tool, Size 12/16/20 Solid Contacts Only



**Part Number**  
**CA-5E12**

Pneumatic Crimp Tool, Size 12/16/20 Solid Contacts Only



## Tools & Accessories

**Part Number**  
**ATT-12-00**

Size 12 Stamped and Formed  
Contact Tool 12AWG



**Part Number**  
**AT11-001-3.6M**

Removal Tool, Plastic  
Size 8 (3.6 mm)



**Part Number**  
**AT11-240-2005**

Removal Tool, Plastic  
Size 20



**Part Number**  
**ATT-16-00**

Size 16 Stamped and Formed  
Contact Tool 14-16AWG



**Part Number**  
**AT11-337-1205**

Removal Tool, Plastic  
Size 12



**Part Number**  
**AT11-310-1605**

Removal Tool, Plastic  
Size 16



**Part Number**  
**ATT-16-01**

Size 16 Stamped and Formed  
Contact Tool 18-20AWG



**Part Number**  
**AHDPBS-0406-001**

Size 24 Backshell WTA



**Part Number**  
**AHDPBS-0406-002**

Size 24 Backshell WTA  
with Compression Nut.  
Cable diameter range: .57-.71"



**Part Number**  
**ATT-20-00**

Size 20 Stamped and Formed  
Contact Tool 20AWG



## Part Number Cross Reference

Competitor's Compatible Part Number			Amphenol PN	Page
Exclusive to Amphenol Sine Systems			AHDP06-24-07SN-WTA	4
Exclusive to Amphenol Sine Systems			AHDP04-24-07PN-WTA	4
Exclusive to Amphenol Sine Systems			AHDP06-24-07PN-WTA	4
Exclusive to Amphenol Sine Systems			AHDP04-24-07SN-WTA	4
HDP26-24-19SN	HDP26-24-19SN-L015	HDP26-24-19SN-L024	AHDP06-24-19SN-WTA	7
HDP26-24-19SE	HDP26-24-19SE-L015	HDP26-24-19SE-L024	AHDP06-24-19SR-WTA	7
HDP24-24-19PN	HDP24-24-19PN-L015	HDP24-24-19PN-L024	AHDP04-24-19PN-WTA	7
HDP24-24-19PE	HDP24-24-19PE-L015	HDP24-24-19PE-L024	AHDP04-24-19PR-WTA	7
HDP26-24-19PN	HDP26-24-19PN-L015	HDP26-24-19PN-L024	AHDP06-24-19PN-WTA	8
HDP26-24-19PE	HDP26-24-19PE-L015	HDP26-24-19PE-L024	AHDP06-24-19PR-WTA	8
HDP24-24-19SN	HDP24-24-19SN-L015	HDP24-24-19SN-L024	AHDP04-24-19SN-WTA	8
HDP24-24-19SE	HDP24-24-19SE-L015	HDP24-24-19SE-L024	AHDP04-24-19SR-WTA	8
HDP26-24-23SN	HDP26-24-23SN-L015	HDP26-24-23SN-L024	AHDP06-24-23SN-WTA	10
HDP26-24-23SE	HDP26-24-23SE-L015	HDP26-24-23SE-L024	AHDP06-24-23SR-WTA	10
HDP24-24-23PN	HDP24-24-23PN-L015	HDP24-24-23PN-L024	AHDP04-24-23PN-WTA	10
HDP24-24-23PE	HDP24-24-23PE-L015	HDP24-24-23PE-L024	AHDP04-24-23PR-WTA	10
HDP26-24-23PN	HDP26-24-23PN-L015	HDP26-24-23PN-L024	AHDP06-24-23PN-WTA	11
HDP26-24-23PE	HDP26-24-23PE-L015	HDP26-24-23PE-L024	AHDP06-24-23PR-WTA	11
HDP24-24-23SN	HDP24-24-23SN-L015	HDP24-24-23SN-L024	AHDP04-24-23SN-WTA	11
HDP24-24-23SE	HDP24-24-23SE-L015	HDP24-24-23SE-L024	AHDP04-24-23SR-WTA	11
HDP24-24-29PE	HDP24-24-29PE-L015	HDP24-24-29PE-L024	AHDP04-24-29SR-WTA	13
HDP26-24-29PE	HDP26-24-29PE-L015	HDP26-24-29PE-L024	AHDP06-24-29PR-WTA	13
HDP24-24-29SE	HDP24-24-29SE-L015	HDP24-24-29SE-L024	AHDP04-24-29SR-WTA	13
HDP24-24-29PE	HDP24-24-29PE-L015	HDP24-24-29PE-L024	AHDP04-24-29PR-WTA	13
HDP26-24-31SE	HDP26-24-31SE-L015	HDP26-24-31SE-L024	AHDP06-24-31SR-WTA	16
HDP26-24-31ST	HDP26-24-31ST-L015	HDP26-24-31ST-L024	AHDP06-24-31ST-WTA	16
HDP24-24-31PE	HDP24-24-31PE-L015	HDP24-24-31PE-L024	AHDP04-24-31PR-WTA	16
HDP24-24-31PT	HDP24-24-31PT-L015	HDP24-24-31PT-L024	AHDP04-24-31PT-WTA	16
HDP26-24-31PE	HDP26-24-31PE-L015	HDP26-24-31PE-L024	AHDP06-24-31PR-WTA	17
HDP26-24-31PT	HDP26-24-31PT-L015	HDP26-24-31PT-L024	AHDP06-24-31PT-WTA	17
HDP24-24-31SE	HDP24-24-31SE-L015	HDP24-24-31SE-L024	AHDP04-24-31SR-WTA	17
HDP24-24-31ST	HDP24-24-31ST-L015	HDP24-24-31ST-L024	AHDP04-24-31ST-WTA	17

## USA

**Amphenol Sine Systems**  
44724 Morley Drive  
Clinton Township, MI 48036  
Toll-Free: 1-800-394-7732  
Fax: 1-586-465-1216  
Email: [csr@amphenol-sine.com](mailto:csr@amphenol-sine.com)  
[www.amphenol-sine.com](http://www.amphenol-sine.com)

## Germany

**Amphenol Tuchel GmbH**  
August-Haeusser-Strasse 10  
Heilbronn, Germany 74080  
Phone: 49(0)-7131-929-0  
Fax: 49(0)-7131-929-486  
Email: [info@amphenol.de](mailto:info@amphenol.de)  
[www.amphenol.de](http://www.amphenol.de)

## China

**Amphenol Sine Systems**  
Building 21, 1st Liao Keng Industrial Zone,  
Shi Yan Street, Bao An District  
Shenzhen, China 518180  
Tel: 86-755-8173-8000 ext. 8098  
Fax: 86-755-8173-8180  
[www.amphenol-sine.com.cn](http://www.amphenol-sine.com.cn)

## USA

**Amphenol Corporation**  
**Corporate Headquarters**  
358 Hall Ave  
Wallingford Ct 06492  
Phone: (877) 267-4366  
[www.amphenol.com](http://www.amphenol.com)

## Mexico

**Prolongacion Reforma 61-6 B2**  
Col. Paseo de las Lomas  
C.P. 01330 Mexico DF, Mexico  
Phone: 52-55-5258-9984  
Fax: 52-55-5081-6890  
Email: [info@amphenolmexico.com](mailto:info@amphenolmexico.com)  
[www.amphenolmexico.com](http://www.amphenolmexico.com)

## Argentina

**Amphenol ARGENTINA**  
Avenida Callao 930  
2nd floor Office B Plaza  
C1023AAP Buenos Aires, Argentina  
Phone: 54-11-4815-6886  
Fax: 54-11-4814-5779  
Email: [info@amphenol.com.ar](mailto:info@amphenol.com.ar)  
[amphenol.com.ar](http://amphenol.com.ar)

## Brazil

**Amphenol do Brasil Ltda**  
Rua Diogo Moreira, 132  
20 Andar, Rooms 2001-2-3  
CEP 05423-101  
Sao Paulo- SP, Brazil  
Phone: 55-11-3815-1003  
Fax: 55-11-3815-1629  
[www.amphenol.com.br](http://www.amphenol.com.br)

## France

**Amphenol SOCAPEX**  
948, Promenade de l'Arve - BP 29  
74311 Thyez CEDEX, France  
Phone: 33(0)4-50-89-28-40  
Fax: 33(0)4-50-96-29-75  
[www.amphenol-socapex.com](http://www.amphenol-socapex.com)

## United Kingdom

**Amphenol LIMITED**  
Thanet Way, Whitstable  
Kent CT5 3JF, United Kingdom  
Phone: 44-1-227-773200  
Fax: 44-1-227-276571  
[www.amphenol.co.uk](http://www.amphenol.co.uk)

## Australia

**Amphenol AUSTRALIA PTY LIMITED**  
2 Fiveways Blvd., Keysborough  
Melbourne, Victoria 3173 Australia  
Phone: 613-8796-8888  
Fax: 613-8796-8801  
[www.amphenol.com.au](http://www.amphenol.com.au)

## Turkey

**Amphenol International Ltd Turkey**  
Sun Plaza Kat. 15  
Maslak Mah. Bilim Sok. No. 5  
34398 Sisli / Istanbul – Turkey  
Tel: + 90 212 367.92.20  
Fax: + 90 212 367.92.21  
[www.amphenol.com.tr](http://www.amphenol.com.tr)

## South Africa

**Amphenol International Ltd**  
**South Africa**  
30 Impala Road  
2196 Sandton, Chislehurst  
South Africa  
Phone: 27-11-783-9517  
Fax: 27-11-783-9519  
Email: [sales@amphenolafrica.com](mailto:sales@amphenolafrica.com)  
[www.amphenol.com.za](http://www.amphenol.com.za)

## India

**Amphenol INTERCONNECT INDIA PVT LTD**  
105 Bhosari Industrial Area  
Pune 411 026, India  
Phone: +91 20 67360304  
Fax: +91 20 67360321  
[www.amphenol-in.com](http://www.amphenol-in.com)

## Korea

**Amphenol DAESHIN**  
558. Songnae-2 Dong. SoSa-Gu  
Bucheon City, Gyeonggi-do,  
Korea 422-818  
Phone: 81-32-610-3800  
Fax: 81-32-673-2507  
Email: [info@amphenol.co.kr](mailto:info@amphenol.co.kr)  
[www.amphenol.co.kr](http://www.amphenol.co.kr)

## Japan

**Amphenol JAPAN**  
471-1, Deba, Ritto-city  
shiga 520-3041, Japan  
Phone: 81-77-553-8501  
Fax: 81-77-551-2200  
[www.amphenol.co.jp](http://www.amphenol.co.jp)

## Russia

**Amphenol RUSSIA**  
8 Yaroslavskaja Street  
129164 Moscow, Russia  
Phone: 7495-937-6341  
Fax: 7495-937-6319  
[www.amphenol.ru](http://www.amphenol.ru)