

MSD

Manual Service Disconnect



MSD profile



Amphenol PCD Manual Service Disconnect

Safe, reliable solution for PHEV servicing. MSD utilizes a two-stage lever to open the HVIL circuit prior to separation of HV contacts. It is a tool-free solution for disconnecting the internal high voltage battery pack and protecting the high voltage battery pack from short circuit. All HV conduction surfaces on receptacle assembly are finger proof touch safe.

Available in a scalable design with a variety of fuse ratings.

MSD



KEY FEATURES

2 stage lever provides HVIL time delay

2 x integrated internal HVIL

Unique cooling structure

Double channel design lowers temperature rise

No tools required to unmate

Various of fuse rating

Receptacle can be front or rear mounted

APPLICATION:

Battery manual service disconnect used for servicing PHEV system

MECHANICAL:

Durability	≥ 50 mating cycles
------------	--------------------

ELECTRICAL:

Fuse specification	up to 630A
--------------------	------------

WITH FUSE:

Current rating	based on fuse selected
----------------	------------------------

Voltage rating	690V AC
----------------	---------

WITHOUT FUSE:

Current rating	230A
----------------	------

Voltage rating	1000V DC max
----------------	--------------

ENVIROMENTAL:

Sealing	IP67, IP6K9K (mated)
---------	----------------------

Temperature range	-40°C to 70°C
-------------------	---------------

Storage temperature	-40°C to 85°C
---------------------	---------------

STANDARDS:

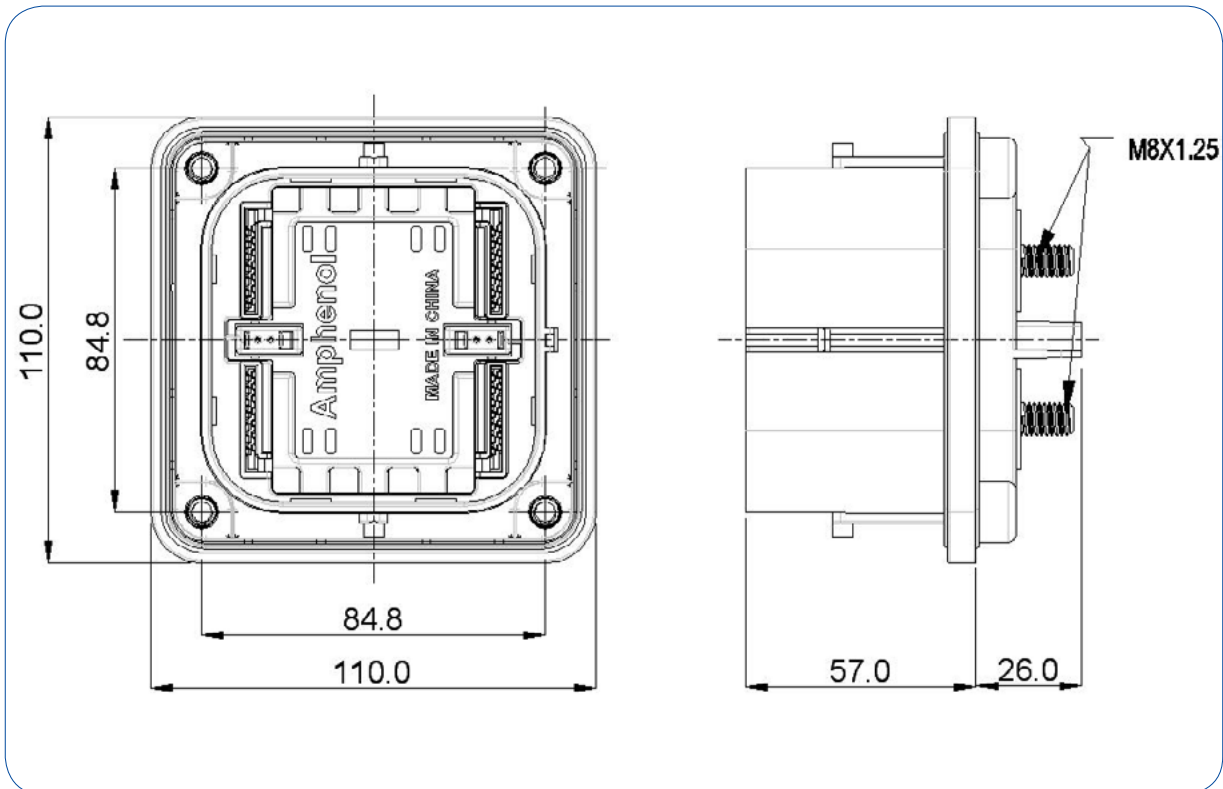
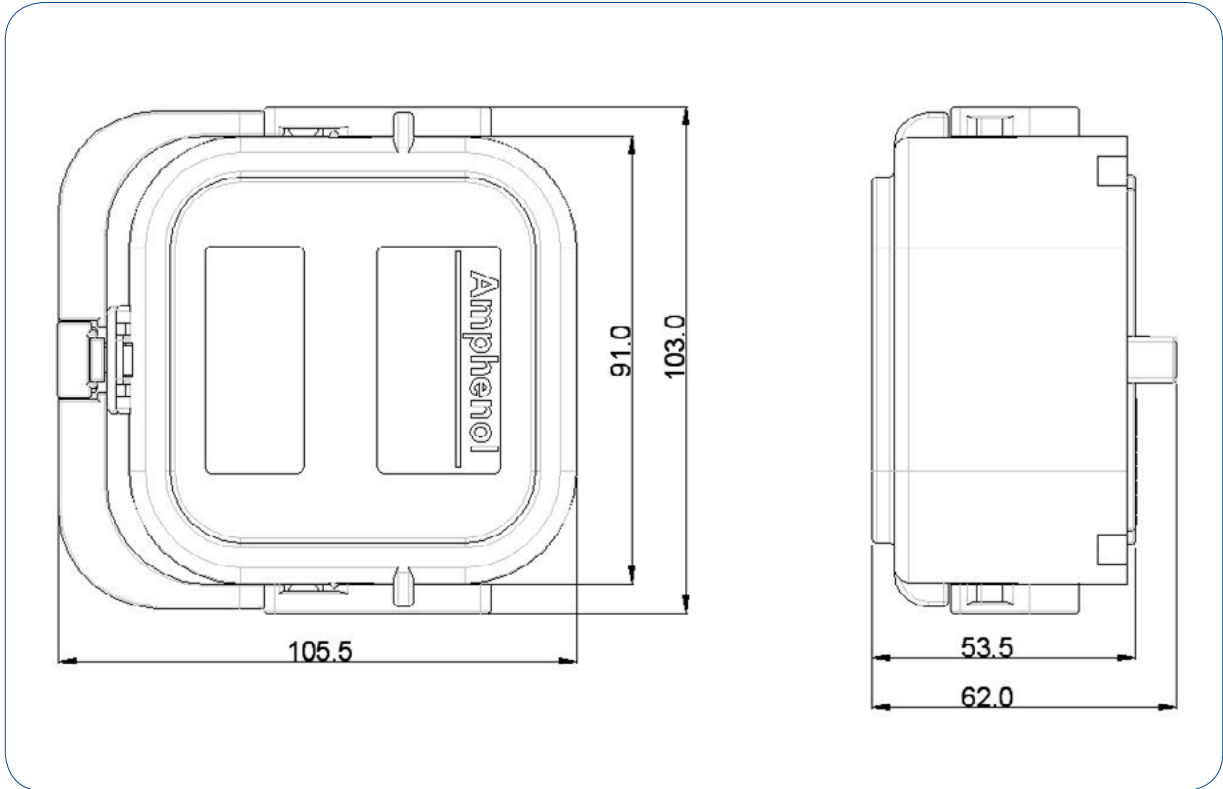
USCAR-2

USCAR-37

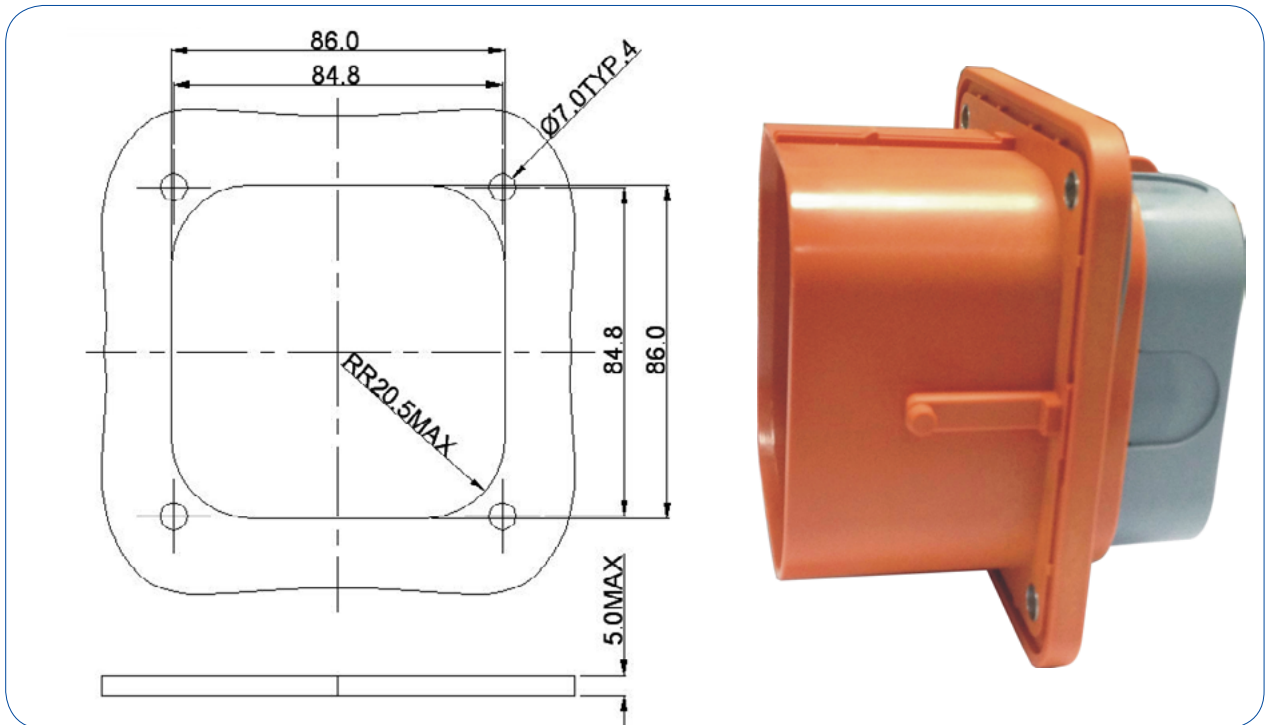
LV-215

RoHS

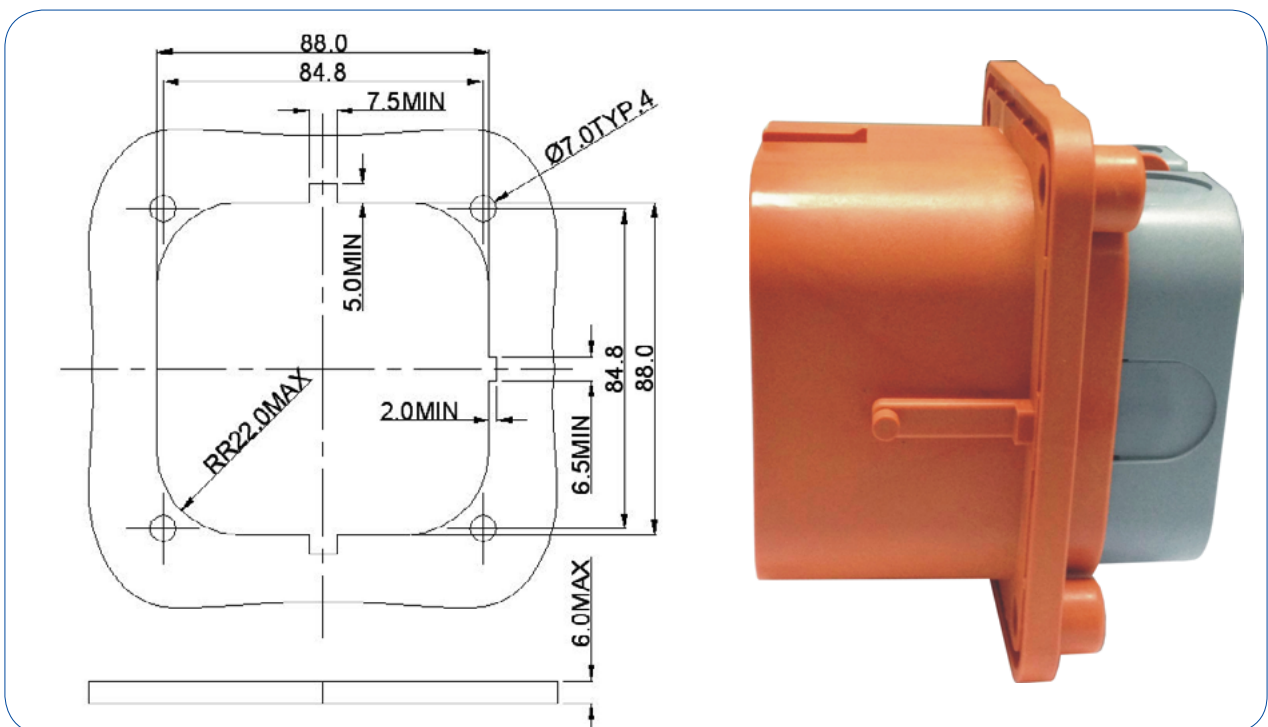
PRODUCT DIMENSIONS



FRONT MOUNTED



REAR MOUNTED



HOW TO ORDER

	MSD	X	M	350	2	C	F
Customer location							
Shell type: M: Plug F: Receptacle							
Fuse rating current: XXX: 200, 250, 315, 350, 400, 450, 500, 550, 630 (Unit: AMP) 000: No need fuse, use terminal directly							
Fuse brand: 1: Ferraz 2: Bussmann (Apply with plug)							
Contact switch: C: Installed contact switch (Feedback when fuse is broken) Typical is no need (Omit) (Apply with plug)							
Flange mounted type: F: Front mounted R: Rear mounted (Apply with receptacle)							

MINI MSD profile



Amphenol PCD Mini Manual Service Disconnect

Mini MSD developed from MSD. Smaller in size and lower in cost. It is a more compact solution.

Available in a scalable design with a variety of fuse ratings

MINI MSD



KEY FEATURES

2 stage lever provides HVIL time delay

Integrated internal HVIL

Unique cooling structure

Double channel design lowers temperature rise

No tools required to unmate

Various of fuse rating

Receptacle can be front or rear mounted

APPLICATION:

Battery manual service disconnect used for servicing PHEV system

MECHANICAL:

Durability	≥ 50 mating cycles
------------	--------------------

ELECTRICAL:

Fuse specification	up to 400A
--------------------	------------

WITH FUSE:

Current rating	based on fuse selected
----------------	------------------------

Voltage rating	600V to 690V AC
----------------	-----------------

WITHOUT FUSE:

Current rating	170A
----------------	------

Voltage rating	1500V DC max
----------------	--------------

ENVIROMENTAL:

Sealing	IP67, IP6K9K (mated)
---------	----------------------

Temperature range	-40°C to 70°C
-------------------	---------------

Storage temperature	-40°C to 85°C
---------------------	---------------

STANDARDS:

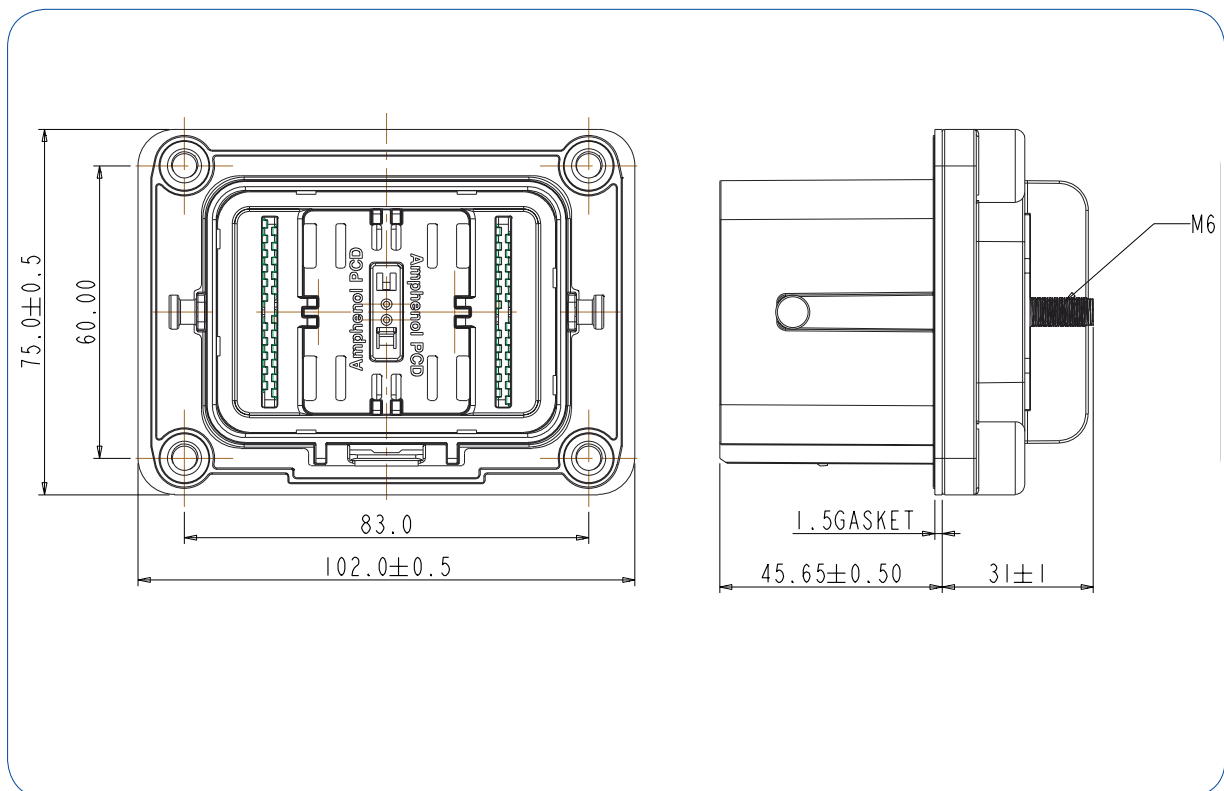
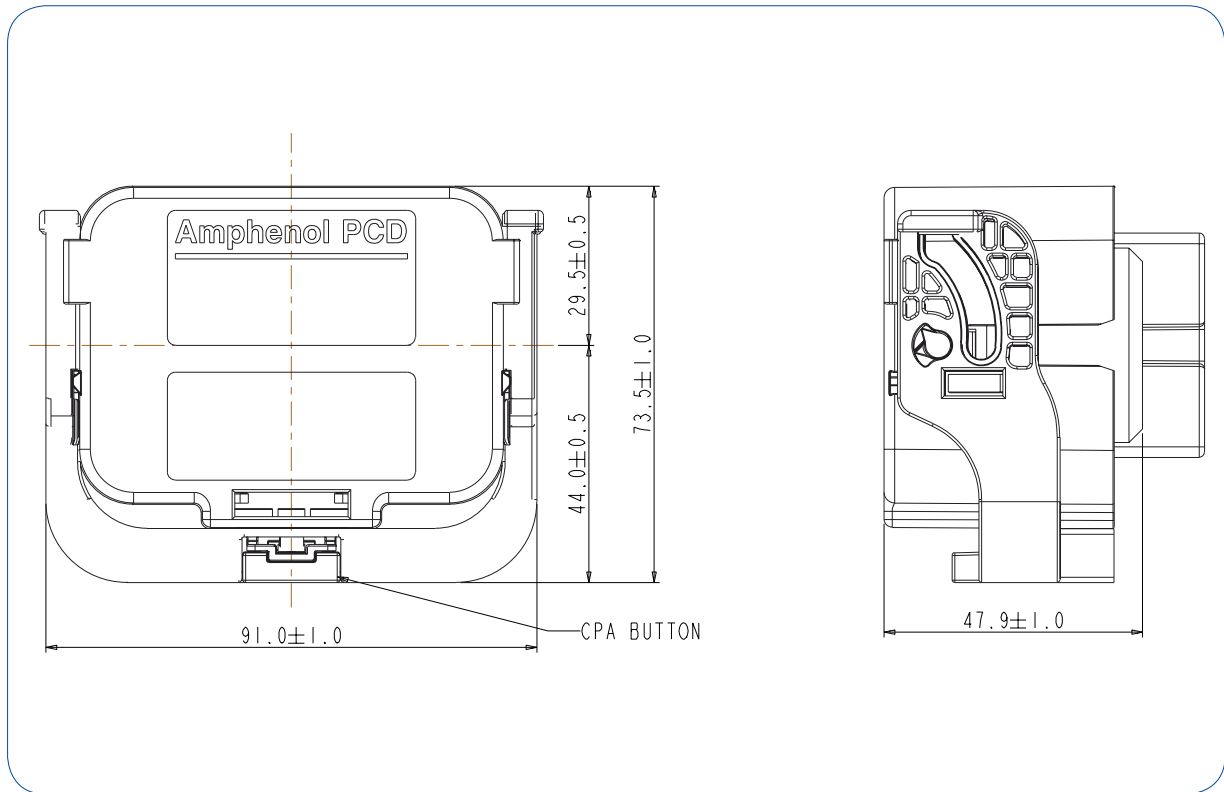
USCAR-2

USCAR-37

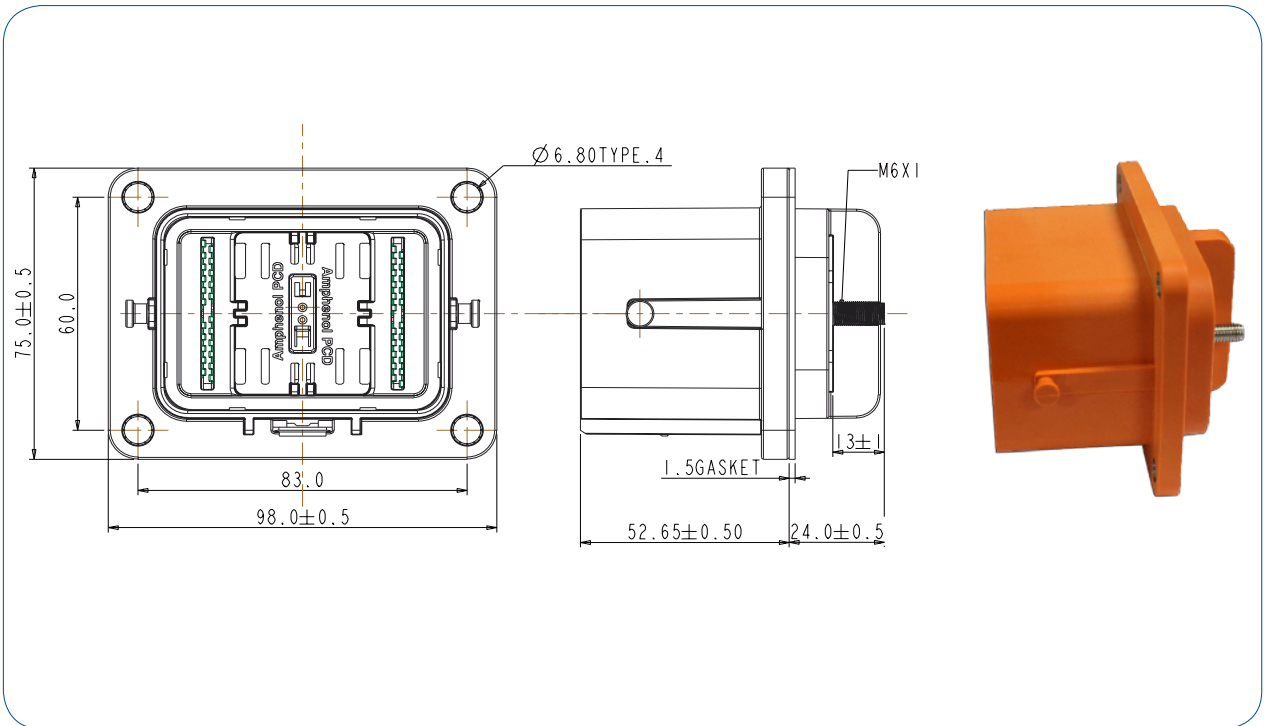
LV-215

RoHS

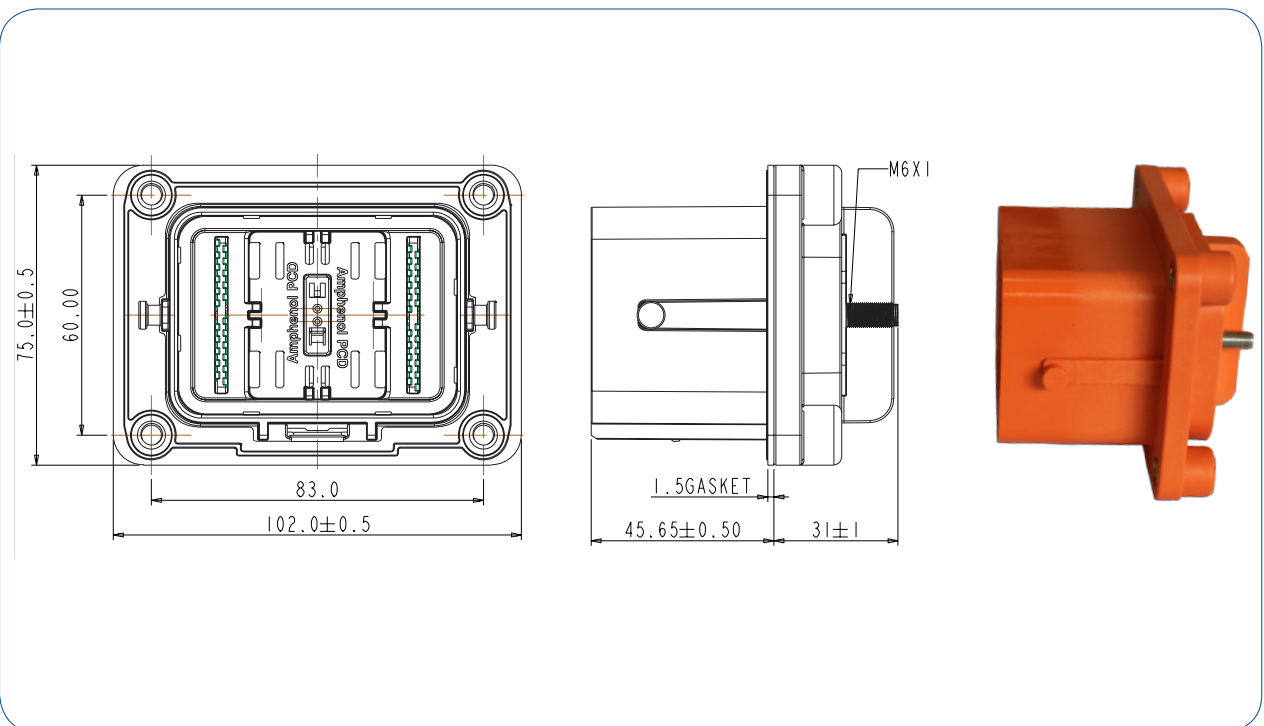
PRODUCT DIMENSIONS



FRONT MOUNTED



REAR MOUNTED



HOW TO ORDER

	MINI MSD	X	M	350	/	F
Customer location						
Shell type: M: Plug F: Receptacle						
Fuse rating current: XXX: 080, 100, 125, 160, 200, 250, 315, 350, 400 (Unit: AMP) 000: No need fuse, use terminal directly						
Fuse brand: /: Omit, Bussmann 1: Other brand (TBD)						
Flange mounted type: F: Front mounted R: Rear mounted (Apply with receptacle)						

Amphenol PCD Shenzhen

Building 21
1st Liao Keng Industrial Zone
Shi Yan Street, Bao An District Shenzhen 518108
China

Tel.: +86 755-8173-8000
Fax: +86 755-8173-8180

www.amphenolpcd.com.cn

Notes:

Amphenol PCD Shenzhen has made every effort to ensure that the information contained in this catalog is accurate at the time of publication. Specifications or information stated in this publication are subject to change without notice.

Amphenol PCD Shenzhen reserves the right to clarify this catalog.