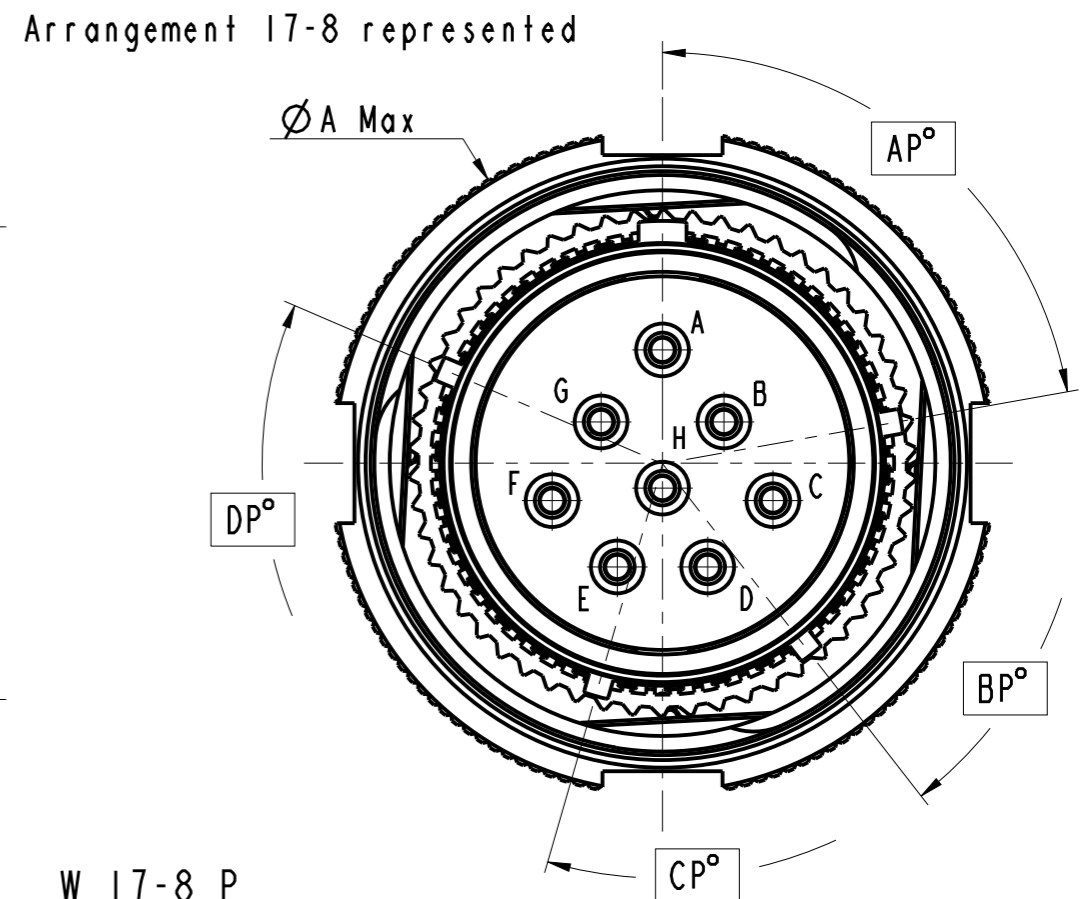
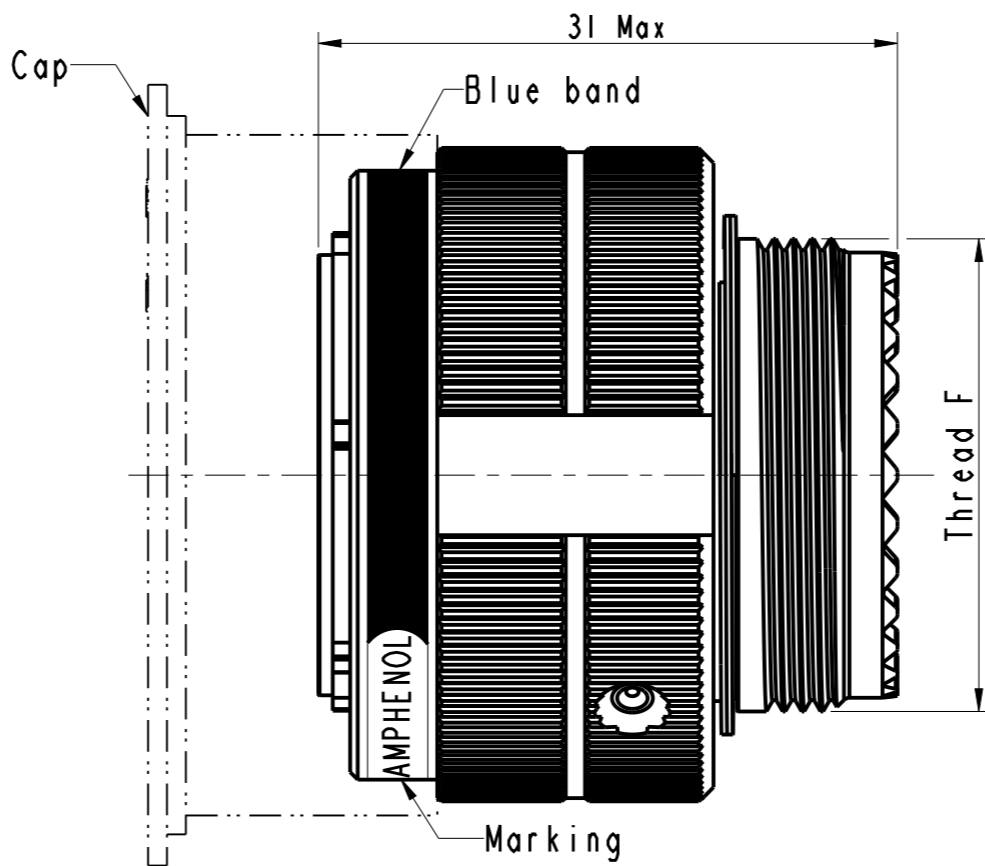


IN THE CONSTANT PURPOSE OF IMPROVING ITS PRODUCTS, Amphenol Socapex RESERVES THE RIGHT TO MODIFY ANY DIMENSION OR CHARACTERISTICS. FM.NPD.0036.THYEZ.PUNE rev C

Size	ØA	Thread F
9	21,5	M12X1-6g R0.1
11	24,17	M15X1-6g R0.1
13	28,51	M18X1-6g R0.1
15	31,76	M22X1-6g R0.1
17	35,24	M25X1-6g R0.1
19	37,96	M28X1-6g R0.1
21	41,19	M31X1-6g R0.1
23	44,16	M34X1-6g R0.1
25	47,39	M37X1-6g R0.1



Contact sizes	Contact Type	Part numbers	Piggy back grommet
23	Pin	900049	900472
	Socket	900048	
22D	Pin	900004	
	Socket	900044	
20	Pin	900001	
	Socket	900041	
16	Pin	900000	
	Socket	900040	
12	Pin	900005	
	Socket	900045	
12 Coax	Pin	076236	
	Socket	076235	
8 Coax	Pin	900130	
	Socket	900140	
8 Twinax	Pin	076915	
	Socket	076588	
8 Quadrax	Pin	900330	
	Socket	900338	

Size	Polarization	AP°	BP°	CP°	DP°
9	N	105	140	215	265
	A	102	132	248	320
	B	80	118	230	312
	C	35	140	205	275
	D	64	155	234	304
	E	91	131	197	240
11 13 15	N	95	141	208	236
	A	113	156	182	292
	B	90	145	195	252
	C	53	156	220	255
	D	119	146	176	298
	E	51	141	184	242
17 19 21 23 25	N	80	142	196	293
	A	135	170	200	310
	B	49	169	200	244
	C	66	140	200	257
	D	62	145	180	280
	E	79	153	197	272

TV06 R W 17-8 P

Omit for connector delivered with contact  
LC : Connector delivered without contacts

Polarization N : No letter or A,B,C,D and E

Contact type : P : Pin, S : Socket

Contacts arrangement : See catalogue "Tri-Start TV-CTV"

Plating  
W: Olive drab cadmium 175°C  
F: Nickel plating 200°C  
K: Passivated Stainless Steel 200°C  
S: Nickel plated Stainless Steel 200°C  
B: Marine Bronze 200°C  
Z: Green zinc Cobalt plated aluminium 175°C  
DT: Durmalon plating (Nickel - PTFE) 175°C  
TZ: Black tin zinc plating 175°C  
ZN: Black zinc nickel plating 175°C

Blank: Without quadrax contacts  
Q: With quadrax contacts

R: Crimp contacts (or connector delivered without contact)  
Omit for Durmalon plating and black zinc nickel plating

TV06 : Straight plug 175°C  
TVS06\* : Straight plug 200°C

- Plug shell interface according to MIL-DTL-38999 series III  
- Contacts are delivered unassembled  
\* For quadrax or dif. twinax compatible inserts, please omit the "S" corresponding to 200°C compatibility when applicable, in the part number.

DRAWN BY: R Jadhav	UPDATED BY: K Garud	LAST APPROVED BY: S Holennavar	
ALL DIMENSIONS ARE IN MM	<b>AMPHENOL SOCAPEX</b>		ORIGINAL DRAWING DATE: 30/06/17
SCALE: 2,5			CONFIGURATION DATA ARE AVAILABLE IN PDM
	B.P. 29 74311 THYEZ CEDEX	REV: B	PAGE: 1/1
<b>173-PLC-1586-00</b>			