

● PRODUCT PRESENTATION

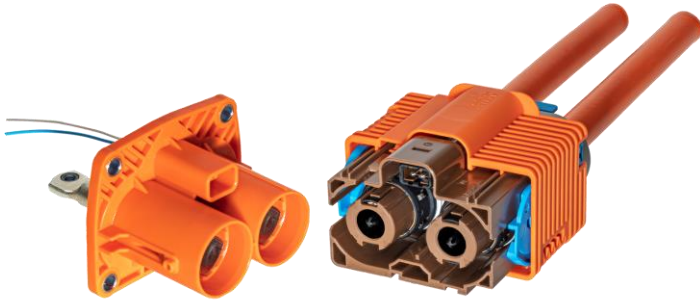
**SHIELDPACK™ HV RCS1200 SI
2-WAY**

SHIELDPACK™

HV RCS1200 SI 2 WAY

STATUS

SERIAL

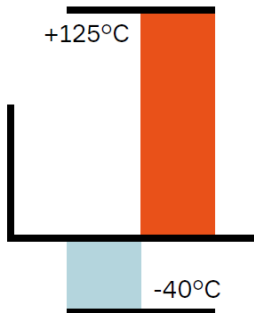


AVAILABLE CONFIGURATIONS

Connector Type	Wire-to-Device
Cable Exit Orientation	180°
Cable Range (mm ²)	35 - 95
Terminal Type	12 mm round contact system
# of Power Terminals	2
Shielding	Individual
HVIL	Shunt on female
Assembly Assurance	CPA
Number of Indexes	2

PERFORMANCE

TEMP RANGE



MAX CURRENT AT 85°C



MAX DC VOLTAGE



VIBRATION LEVEL



SEALING CLASS



ELECTRICAL PROTECTION



* For classification V2 please consult an Aptiv representative.

BENEFITS

- High-water protections
- Easy mating thanks to slider feature on female connector
- Strain Relief Device ensures product performance in constrained environment

FEATURES

- Header has flat and simple device interface
- Two-step un-mating to prevent from arcing
- 2 gear cam architecture for efficient mating effort reduction

APPLICATIONS

DC / DC converter

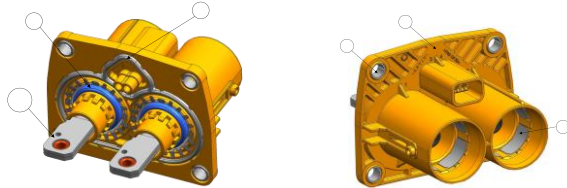
HV battery

E-motor

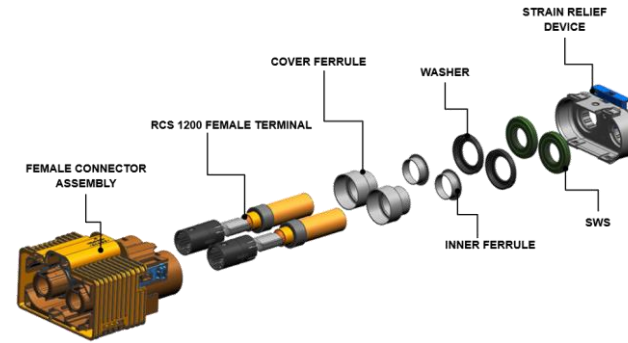
SHIELDPACK™

HV RCS1200 SI 2 WAY

HEADER



CONNECTOR



3D VIEWS	COMPONENTS	APN
	MALE CONNECTOR « SHORT »	35464886
	MALE CONNECTOR « LONG »	35716978

Flexible device integration with 2 terminal lengths available

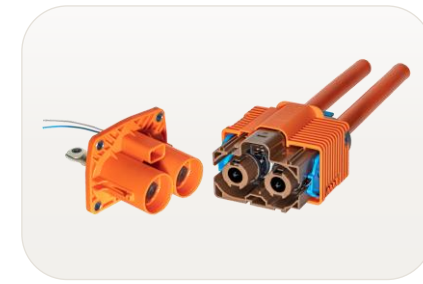
QTY	COMPONENTS	3D VIEWS	APN	WIRE SECTION
1	FEMALE CONNECTOR		35561611	35-95 mm ²
2	RCS1200 FEMALE TERMINAL		35454328	35-60 mm ²
			35443592	70-95 mm ²
2	WASHER		35554831	35 mm ²
			35604916	50 mm ²
			35563248	70 mm ²
			On demand	95 mm ²
2	INNER FERRULE		35628301	35 mm ²
			35628300	50 mm ²
			35628299	70 mm ²
			On demand	95 mm ²

QTY	COMPONENTS	3D VIEWS	APN	WIRE SECTION
2	OUTER FERRULE		35619070	35 mm ²
			35347217	50 mm ²
			35339328	70 mm ²
1	SWS		On demand	95 mm ²
			35464874	35 mm ²
1	STRAIN RELIEF DEVICE		35639386	50 mm ²
			35464786	70 mm ²
			On demand	95 mm ²
			35464889	35 mm ²
1	STRAIN RELIEF DEVICE		35639387	50 mm ²
			35464793	70 mm ²
1	STRAIN RELIEF DEVICE		On demand	95 mm ²

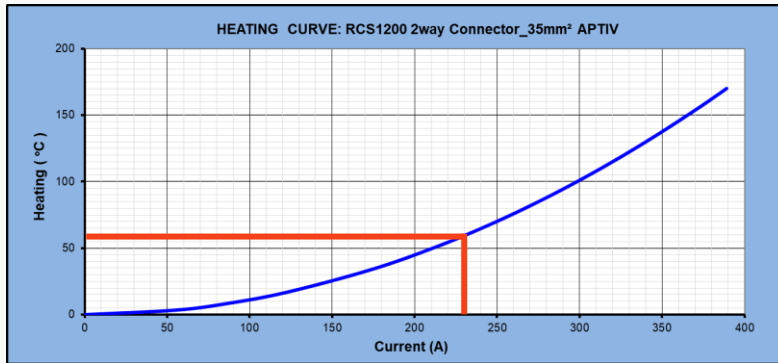
SHIELDPACK™

HV RCS1200 SI 2 WAY

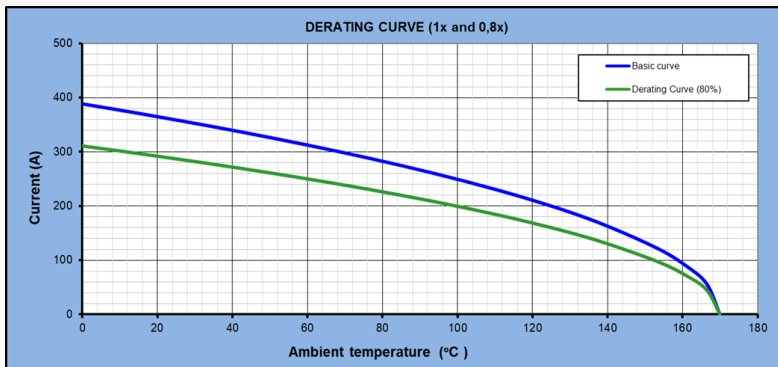
DERATING CURVES (IN HOUSING)



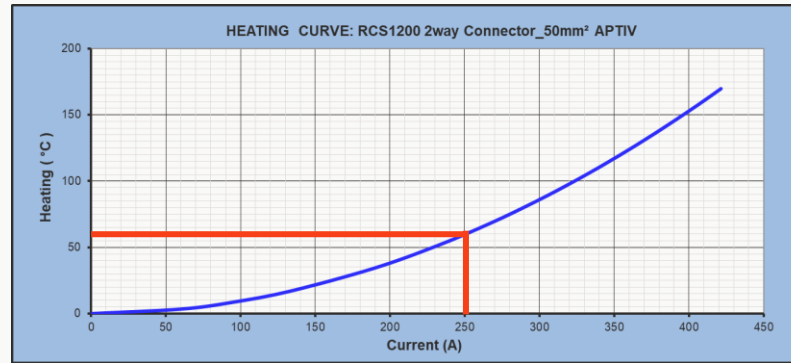
35 MM²



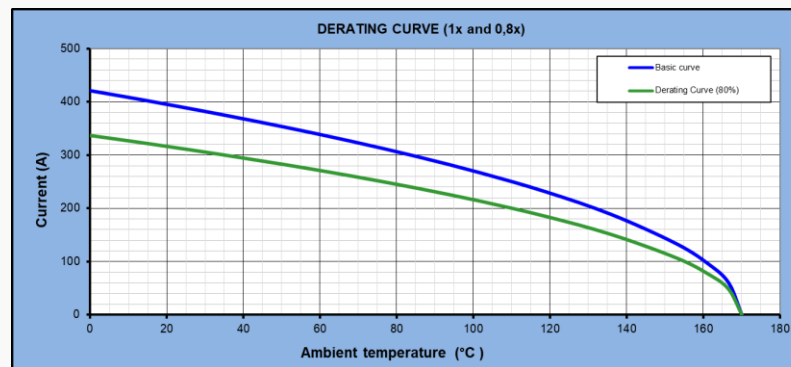
Current for 60°heating : **231.1A**



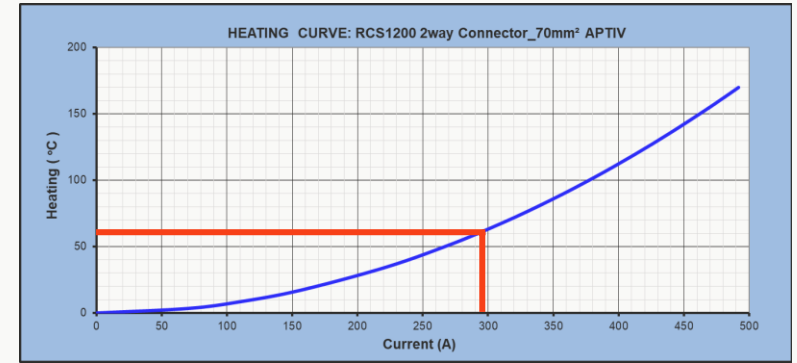
50 MM²



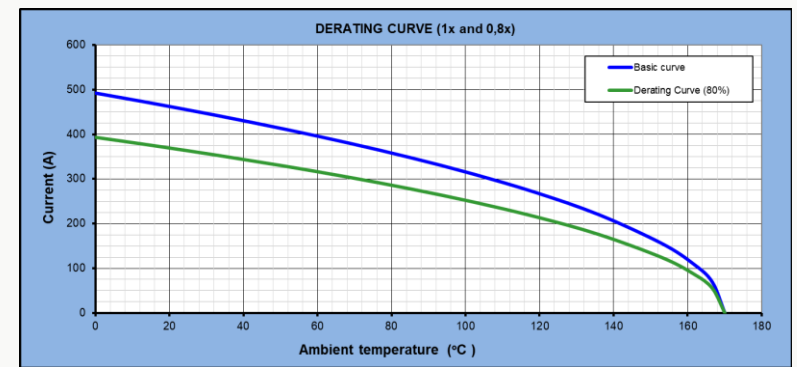
Current for 60°heating : **250.3A**



70 MM²



Current for 60°heating : **292.2A**

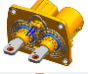
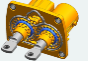


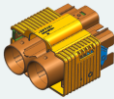
SHIELDPACK™

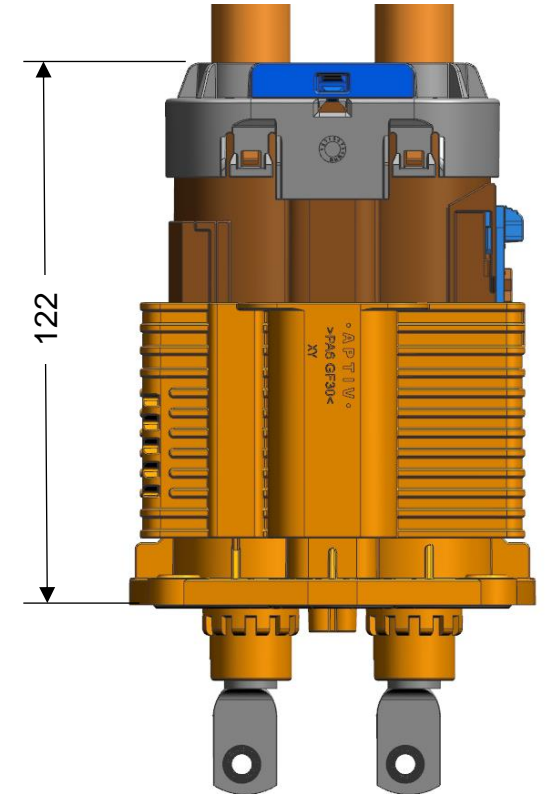
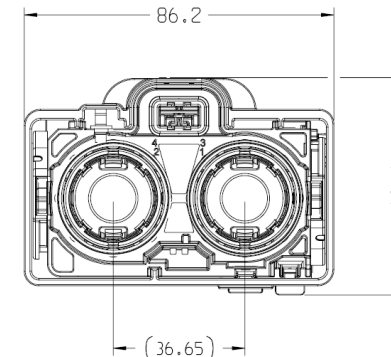
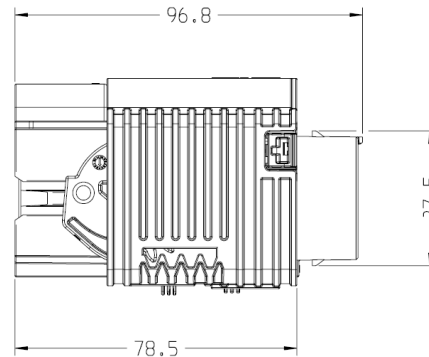
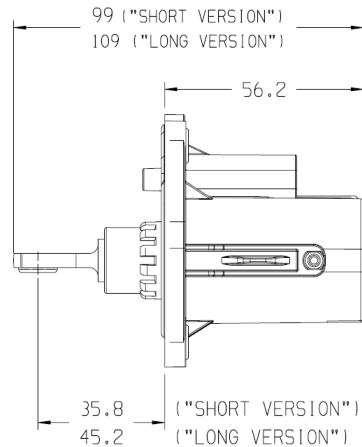
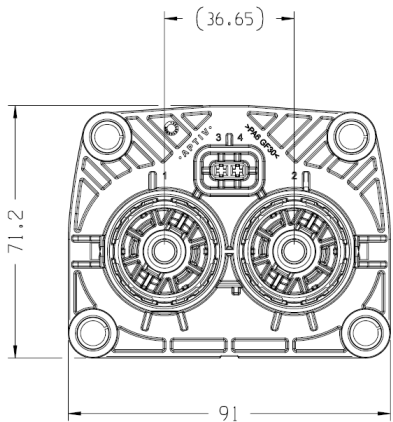
HV RCS1200 SI 2 WAY

OVERALL DIMENSIONS



3D VIEWS	COMPONENTS	APN
	MALE CONNECTOR « SHORT »	35464886
	MALE CONNECTOR « LONG »	35716978

3D VIEWS	COMPONENTS	APN
	FEMALE CONNECTOR	35561611



MATED CONDITION