

Industrial Connectors Selection Guides

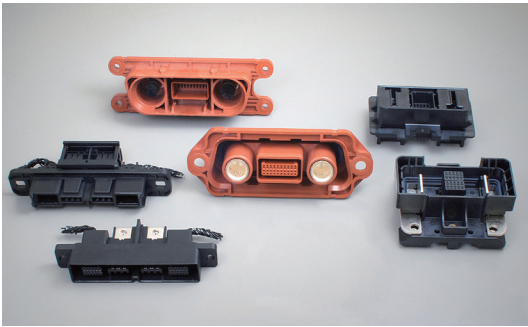
CAT.No.IND-GC-D001.FEB.2021



**Japan Aviation Electronics
Industry, Limited**

High Current Docking Connectors

Large Current Rack & Panel Connectors DW1 / DW2 / DW3 Series



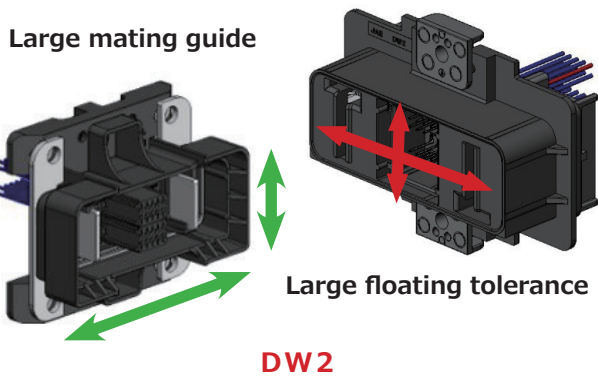
Features ▶

- Hybrid design with large current and signal lines are embedded into a single connector.
- Docking connection makes for a very efficient implementation and replacement of the connectors
- The hybrid type DW Series are UL recognized products
- DW1 : 500A capable
DW2 : 200A capable
DW3 : 150A capable

General Specifications ▶

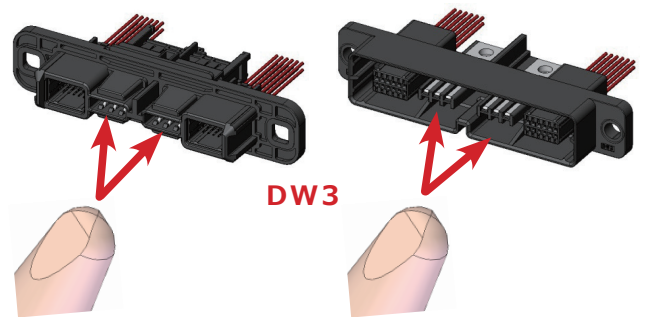
	DW1	DW2	DW3
Number of Contacts	Power: 2 / Signal : 20	Power : 2 / Signal : 20	Power : 2 / Signal : 24
Rated Current (by contact size)	Power : 500A max. / Signal : 2A max.	Power : 200A max. / Signal : 2A max.	Power : 150A max. / Signal : 2A max.
Rated Voltage	Power : DC 600V / Signal : AC 100V	Power : DC 600V / Signal : AC 100V	Power : DC 600V / Signal : AC 100V
Dielectric Withstanding Voltage	Power:DC 1,800V / Signal :AC 300V	Power : DC 3,000V / Signal : AC 300V	Power : DC 3,000V / Signal : AC 300V
Insulation Resistance	Power -Signal contact : 5,000MΩ min. Signal-Signal contact : 100MΩ min.	Power -Signal contact : 5,000MΩ min. Signal-Signal contact : 100MΩ min.	Power -Signal contact : 5,000MΩ min. Signal-Signal contact : 100MΩ min.
Durability	20 cycles	100 cycles	100 cycles
Operating Temperature	-40℃~+95℃	-25℃~+115℃	-25℃~+105℃
Applicable Wire	—	Signal : AWG 22 Outer diameter φ 1.5mm	Signal : AWG 22 Outer diameter φ 1.5mm

■ Floating mechanism



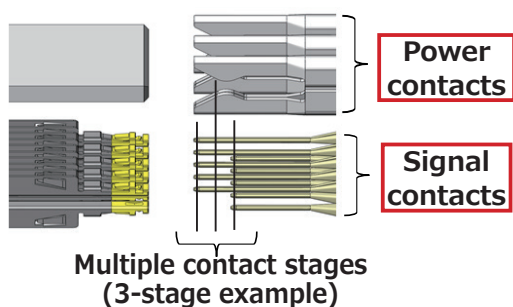
■ Electric shock prevention

Finger safe design will prevent being able to touch the terminals during operation



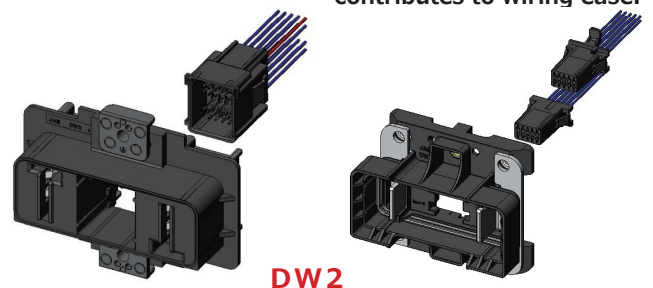
■ Sequential connection of Signal contacts

Signal contacts of different lengths can be selected



■ Detachable signal housing

Removable signal housing contributes to wiring ease.



Before placing an order

- ① The values specified in this catalogue are only for reference. The products and specifications are subject to change without notice. Contact our sales staff for further information before considering or ordering any of our products. For purchase, a product specification must be agreed upon.
- ② Users are requested to provide protection circuits and redundancy circuits to ensure safety of the equipment, and sufficiently review the suitability of JAE's products to the equipment.
- ③ The products presented in this catalogue are designed for the uses recommended below. We strongly suggest you contact our sales staff when considering use of any of the products in any other way than the recommended applications or for a specific use that requires an extremely high reliability.

(1) Applications that require consultation:

- (i) Please contact us if you are considering use involving a quality assurance program that you specify or that is peculiar to the industry, such as:
 - Automotive electrical components, train control, telecommunications devices (mainline), traffic light control, electric power, combustion control, fire prevention or security systems, disaster prevention equipment, etc.
- (ii) We may separately give you our support with a quality assurance program that you specify, when you think of a use such as:
 - Aviation or space equipment, submarine repeaters, nuclear power control systems, medical equipment for life support, etc

(2) Recommended applications include:

Computers, office appliances, telecommunications devices (terminals, mobile units), measuring equipment, audiovisual equipment, home electric appliances, factory automation equipment, etc.