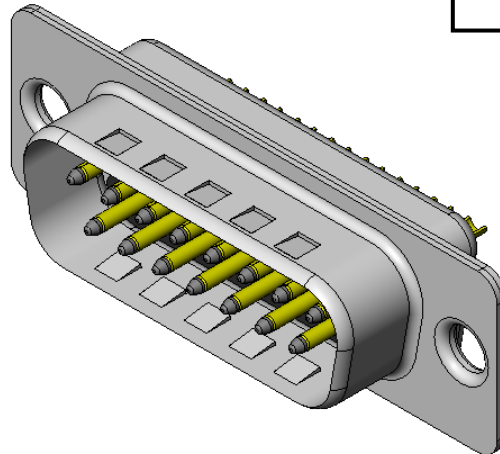


NEW
IEC60601-1 3rd Edition Compatible
Anti-shock D-sub for Medical Devices

CONNECTOR

MB-0328-1

December 2017

DA-15PF-N-ME**RoHS Compliant**

The Dsub is a typical type for highly-reliable connectors used in various electronic devices. JAE has developed the Dsub type DA-15PF-N-ME, featuring an anti-shock function with a resin insulated pin contact, for medical devices.

This product is compatible with IEC60601-1 3rd Edition clause 8.5.2.3, specific to medical devices.

In addition to being compatible with our existing socket contact type D-sub connectors, this product was designed with a unique structure originated by JAE (Pat. Pend.). Regarding the electrical performance of this product, it can be used safely, as same as our existing D-sub Series with proven results.

Applicable Market

Only for Class I and II medical devices

Electrocardiography and ultrasonic diagnostic equipment

Features

- Compliant with Medical standard IEC6060-1 3rd Edition clause 8.5.2.3
- Electric shock prevention structure utilizing a resin insulated pin contact tip. (Pat. Pend.)
- Insulator tip pressure strength: 10N max.
- Equivalent electrical characteristic with same form factor and effective contact length as our existing pin contact D-sub Series.
- Compatible with our existing D-sub Series socket contact connectors.

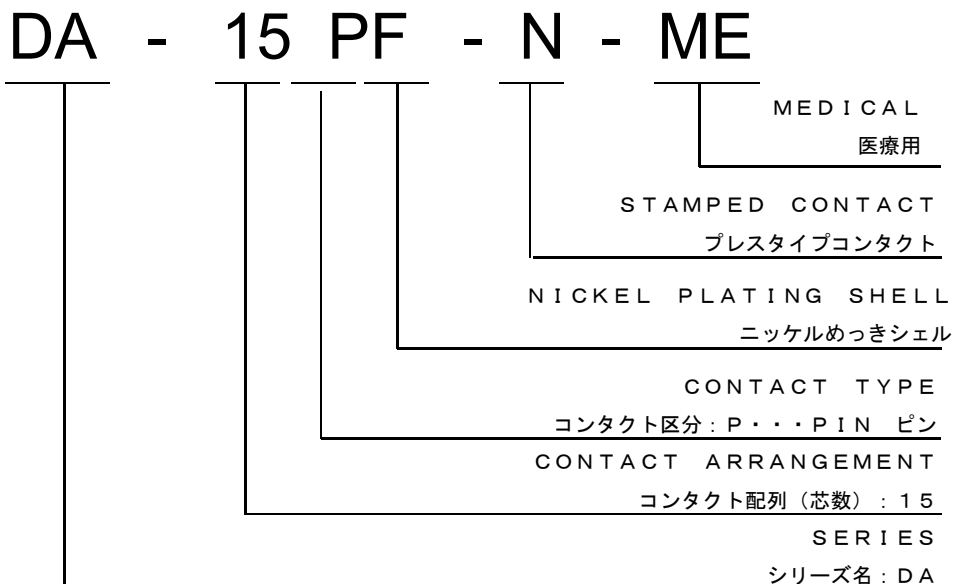
General Specifications

- Number of Contacts: 15 position
- Contact Resistance: 4.0mΩ max. (initial)
8.0mΩ max. (posttest)
- Dielectric Withstanding Voltage:
A.C1500Vr.m.s for 1 minute
- Rated Current: 5A per position
- Insulation Resistance: 5000MΩ min.
- Durability: 500 times
- Operating Temperature:
-55 Deg. C to +105 Deg. C

Materials and Finishes

Component	Material / Finish
Insulator	PBT
Pin Contact Main Body	Base material: Copper alloy Contact area/ terminal area: Au plating over Ni
Pin Contact Tip	PPS
Shell	Steel

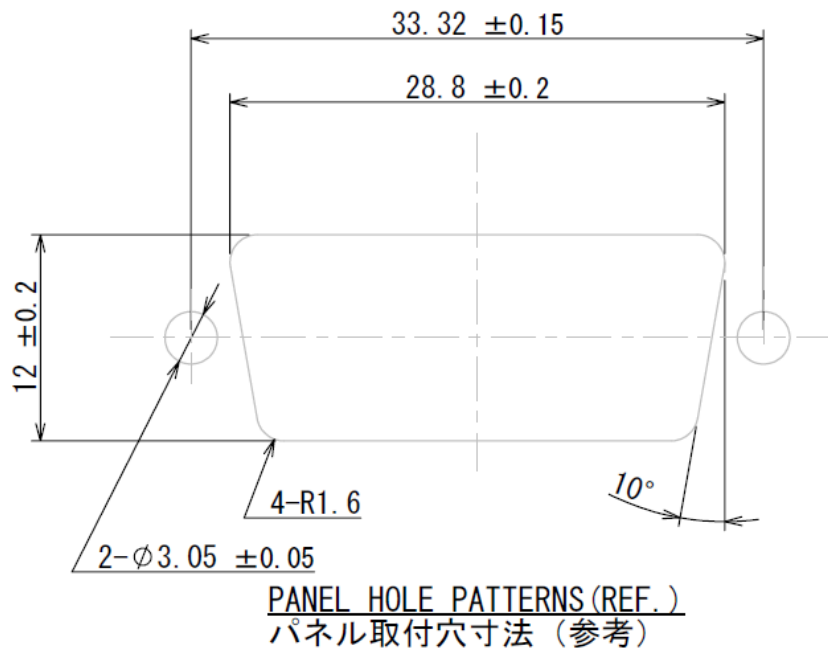
Ordering Information



Ordering Information

- Applicable Terminal: 20 AWG max.
- Contact Type: Soldering

Panel Mount Hole Dimensions



Technical Information

- Drawing No. : SJ118551
- Specifications: JACS-11206
- Summary Report (Test Report): SR-B-0617
- Handling Instructions : JAHL-11206

Notice:

1. The values specified in this brochure are only for reference. The products and their specifications are subject to change without notice. Contact our sales staff for further information before considering or ordering any of our products. For purchase, a product specification must be agreed upon.
2. Users are requested to provide protection circuits and redundancy circuits to ensure safety of the equipment, and sufficiently review the suitability of JAE's products to the equipment.
3. The products presented in this brochure are designed for the uses recommended below. We strongly suggest you contact our sales staff when considering use of any of the products in any other way than the recommended applications or for a specific use that requires an extremely high reliability.
 - (1) Applications that require consultation:
 - (i) Please contact us if you are considering use involving a quality assurance program that you specify or that is peculiar to the industry, such as:
Automotive electrical components, train control, telecommunications devices (mainline), traffic light control, electric power, combustion control, fire prevention or security systems, disaster prevention equipment, etc.
 - (ii) We may separately give you our support with a quality assurance program that you specify, when you think of a use such as:
Aviation or space equipment, submarine repeaters, nuclear power control systems, medical equipment for life support, etc.
 - (2) Only for Class I, II Medical Devices.

Japan Aviation Electronics Industry, Limited

Product Marketing Division
 Aobadai Building, 3-1-19, Aobadai, Meguro-ku, Tokyo 153-8539
 Phone: +81-3-3780-2882 FAX: +81-3-3780-2946

* The specifications in this brochure are subject to change without notice. Please contact JAE for information.