

WE CONNECT



IN CHARGE OF TOMORROW **JAE'S KW SERIES: PIONEERING DESIGN & PROVEN QUALITY**

- Innovative design and performance features for long lasting reliability
- Double insulation structure for increased safety performance
- Extremely powerful, robust and user-friendly design

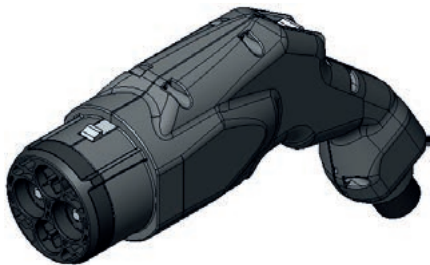
Technology to Inspire Innovation

JAE

JAE'S KW SERIES: PROGRESSING PERFORMANCE & POSSIBILITIES

JAE's high quality KW connector series for electric vehicles (EV) features a durable and lightweight design that uses the most advanced and robust materials in the industry. All KW connectors ensure a reliable and safe user experience paired with excellent operability under even the most rugged conditions. In particular, the innovative single-action mating offered by every KW connector allows even novice users to handle with ease. The KW series currently includes three CHAdeMO-compliant connectors for quick, slow and mid-charging (KW1, KW02 and KW03) as well as one IEC62196-3-compliant connector for CCS Type-2 (KW04) and a CCS Type-1 (KW05) quick-charging in development. Our new KW1C and KW02C Series are particularly compact and lightweight, EV charging plugs. Developed using the latest weather-resistant plastic materials, enabling next-level application possibilities without loss of performance or reliability.

CHARGING RE-DEFINED: THE NEW COMPACT VERSIONS **KW1C** AND **KW02C**



KW1C







KW02C

Thanks to their innovative plastic housing, the new KW1C and KW02C charging connectors provide a robust light-weight compact design. Featuring even smaller dimensions and charging cable diameter compared to the previous KW1 and KW02 connectors. The new ergonomic grip structure, enables comfortable handling and ease of use. Furthermore, the design, ensures high weather resistance, making all crucial internal components water and dust proof. Additionally, KW1C and KW02C connectors offer a revised emergency release, and like all KW plugs, fully meet the required industrial standards.

KEY FEATURES

- Emergency release/removal and recovery capabilities
- Weather resistant plastic body with durable design (IEC62196-1/3)
- IP56 (while mated)
- Water/dust proof internal components (equivalent to IP67)
- Thanks to V2X capabilities, the Electric Vehicle Power Supply (EVPS) can continue to operate as a portable charger, even during a power outage

CURRENT LINE-UP

Product	KW1	KW02	KW03	KW04
				
Standard	CHAdEMO 1.0	CHAdEMo 1.2 V2H Guideline 2.1	CHAdEMo 1.2 V2H Guideline 2.1	IEC62196-3
Rated Current	125A	25A	80A	150A; 200A
Rated Voltage	500VDC	450VDC	500VDC	1000VDC
Approvals	UL/CE	CE	UL/CE	CE
Operating Temp.	-30°C ... +50°C	-30°C ... +50°C	-30°C ... +50°C	-30°C ... +50°C
Charging type	Quick Charge	Slow-Charge (w/V2X)	Mid-Charge (w/V2X)	CCS Type-2 Quick Charge

SMALLER BODY & THINNER CABLE

	KW1	KW1C	KW02	KW02C
CONNECTOR SIZE (mm)	295×225	▶ 289×168	280×134	▶ 225×123
CABLE OD (mm)	32.3	▶ 27.0	23.5	▶ 21.7
RATED CURRENT (A)	125	125	25	▶ 37

ROADMAP

System	Output	CHAdEMO			ChaoJi	CCS	
		CE	JCS	UL	CCC	CE	UL
HPC	>1000A 600A						MCS
Fast charge	200A		ChaoJi				
	125A	KW1C*	CHAdEMO		ChaoJi	KW04	CCS-1
	80A		KW1				
V2X	40A		KW03			CCS-2	
	25A		KW02C	CHAdEMO			
			KW02				

* KW1C works also with V2X

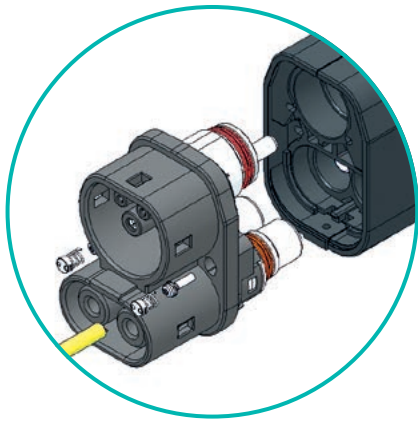
PROVEN BENEFITS & INNOVATIVE TECHNOLOGY



HIGH RELIABILITY

1. Stainless steel latch
2. Weather resistant plastic body
3. Emergency release/removal and recovery capabilities
4. Even if the electromagnetic lock breaks down, the plug can be easily released as shown in the diagram





REPLACEABLE INTERFACE

- Quick, easy and safe maintenance and replacement*
- Protection cap limits exposure to metal after opening
- Screw to fix front and rear insulators easily
- The replaceable kit includes:
 - interface with both power and signal contacts already assembled
 - required screws, springs, protective cap and tool

* Replacing contacts: after lifetime (>10.000 cycles);
Replacing housing: if damaged

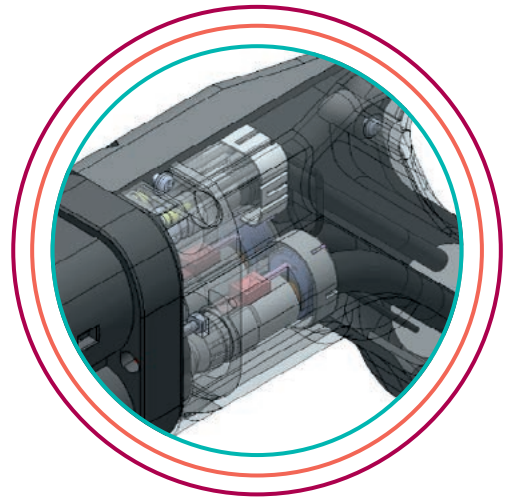
DOUBLE INSULATION

JAE's double insulation structure for increased safety:

- Internal insulation protecting the inner components (equivalent to IP67)



KW04



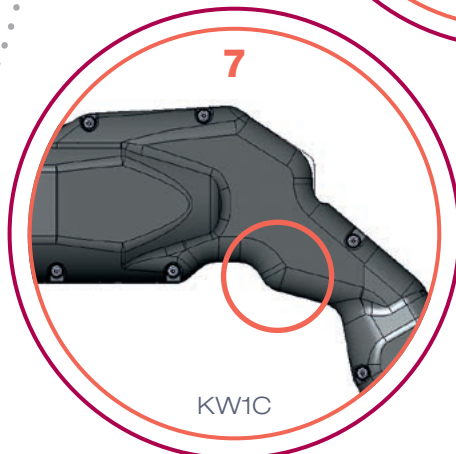
KW1C



KW1C



KW02C



KW1C

USER FRIENDLY

5. One button action for unlocking
6. Lock/unlock indication
7. Ergonomic grip design

WE CONNECT

MARKET-LEADING TECHNOLOGY

JAE's innovative EV technology is fueling the future of electric mobility. Our EV connectors facilitate and accelerate the path to a responsible, mobile future with flawless performance, backed by great versatility and flexibility through high quality mass production and customization options. [JAE connects mobility and sustainability.](#)

TECHNOLOGY & INNOVATION

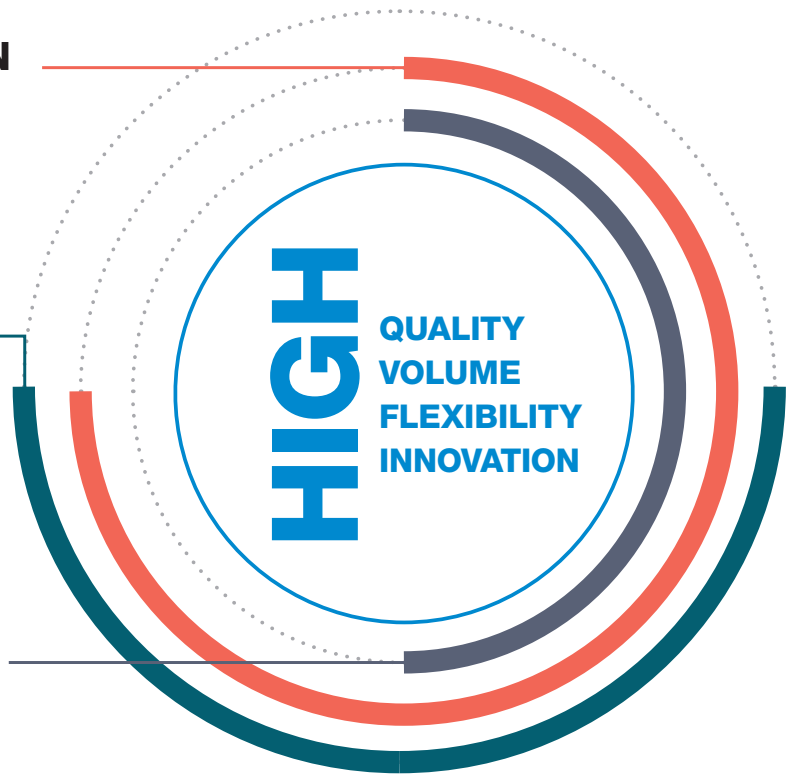
JAE develops and delivers high quality, innovative industry-leading connectors.

CAPACITY & FLEXIBILITY

JAE's global footprint enables flexible capacity and fast response time to customer requirements.

EXPERIENCE & CREATIVITY

JAE excels above the rest with innovative new ideas and creativity backed by years of experience and know-how.



[Connect with JAE](#) – and find out how our innovative manufacturing processes, outstanding production capacities and unsurpassed reliability can enhance your next design.

Head Office

Japan Aviation Electronics Industry, Ltd.
21-1, Dogenzaka 1-chome, Shibuya-ku, Tokyo 150-0043, Japan
Tel: +81-3-3780-2711, Fax: +81-3-3780-2733
www.jae.com

Europe

JAE Europe, Ltd.
Royal Pavilion, Tower 3, First Floor, Wellesley Road, Aldershot,
Hampshire, GU11 1PZ, UK
Tel: +44-1252-551100, Fax: +44-1252-551100

North America

JAE Electronics, Inc.
142 Technology Drive, Suite 100, Irvine, CA 92618-2430, U.S.A.
Tel: +1-949-753-2600, Fax: +1-949-753-4706

Technology to Inspire Innovation

JAE