



**Ideal for thin LED lighting-module applications, Molex's Lite-Trap™ and Mini Lite-Trap™ SMT wire-to-board connectors offer a low profile, easy wire removal, and low wire insertion and high wire retention forces.**

The termination method of Molex's Lite-Trap connector system is similar to Molex's Wire Trap connectors, and also to certain competitive "Poke-In" style versions. A stripped wire is inserted into the connector and pushes open a gate-style terminal that "traps" the wire. To unmate, a button-style lever on the housing top is pushed down to allow the wire to be disengaged.

With profile heights as low as 2.65mm, Molex's Lite-Trap connectors offer an ultra-thin profile to prevent shadowing in LED lighting applications.

Molex's wire-removable Lite-Trap connector offers lower wire insertion force than similar types. It also offers a user-friendly latch that is easy for operators to engage and disengage, even without the use of a tool. These features combine to offer easy field assembly and removal if needed for trained or untrained operators.

Other features of the Lite-Trap connector include a housing design that accepts more insulation-length range than competitive designs. This provides more stable wire seating for electrical contact assurance. The dual-contact wire-trap clamp design provides further mating assurance.

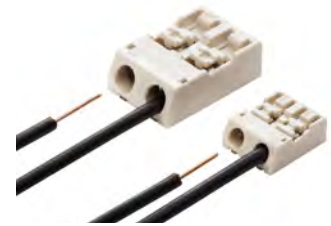
## Lite-Trap™ and Mini Lite-Trap™ SMT Wire-to-Board Connector System, Push-Button Type

### Standard Type

- 104188-0110** One Circuit
- 104188-0210** Two Circuits

### Mini Type

- 104238-0110** One Circuit
- 104238-0210** Two Circuit



Standard and Mini Lite-Trap™ connectors

### Features and Benefits

Ultra low profiles	Meets needs of thin LED modules and other compact applications
User-friendly push-button latch	Ensures easy wire extraction
Dual-contact gate-style terminal design	Enables secure electrical contact and high wire-retention force
Long wire insulation design	Provides stable wire placement for additional contact assurance
Compact industry-standard PCB pattern layout	Saves space and is drop-in compatible with certain competitive products
Wire stopper feature	Facilitates correct wire insertion depth placement

### Markets and Applications

- > Lighting
  - Down Light
  - Strip Light
- > Factory Automation Equipment
- > Consumer Electronics
- > Any application requiring an easy-to-use wire insertion/extraction method

#### > LED Down Lighting



#### > LED Strip Lighting



## Specifications

### REFERENCE INFORMATION

Packaging: Embossed tape  
Designed in: mm

AWG:

Mini: 22-26 (Solid wire)  
Standard: 18-24 (Solid wire)  
20-22 (Stranded wire)

RoHS Compliant: Yes

Halogen Free: Yes

### PHYSICAL

Connector: LCP, UL 94V-0, White

Terminal: Copper Alloy

Plating: Tin

### ELECTRICAL

Current (max.): 9.0A (Mini: 3.0A)

Voltage (max.): 300V (Mini: 160V)

Contact Resistance:

10 milliohms max.

Insulation Resistance:

1,000 Megohms min.

Dielectric Withstanding Voltage:

1,600 VAC for 1 minute

### MECHANICAL

Wire Insertion Force:

15.0N (initial) max.

## Lite-Trap™ and Mini Lite-Trap™ SMT Wire-to-Board Connector System, Push-Button Type

### Standard Type

**104188-0110** One Circuit

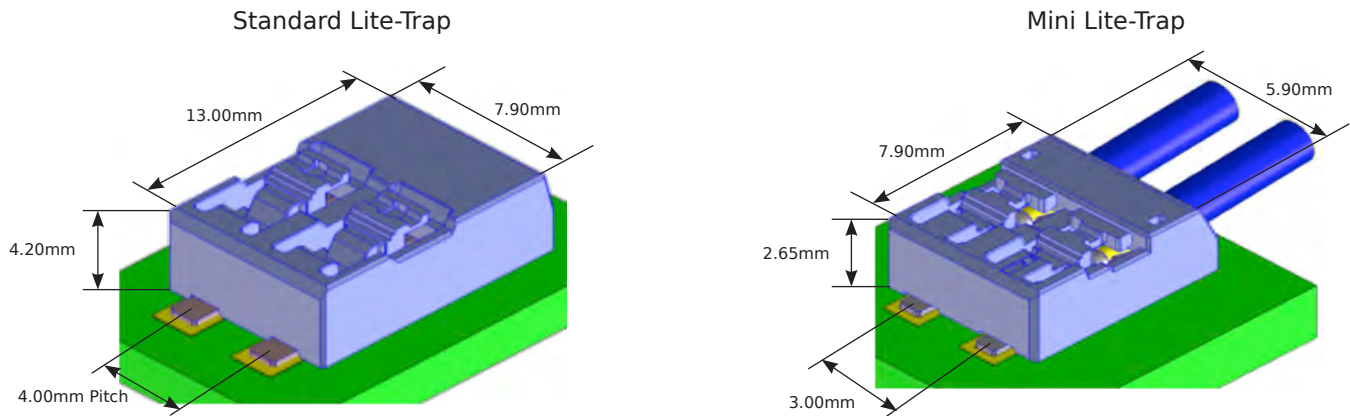
**104188-0210** Two Circuits

### Mini Type

**104238-0110** One Circuit

**104238-0210** Two Circuit

## Standard Versus Mini Type Dimensions



Molex's Mini Lite-Trap connector saves about 70% of overall space compared to the standard Lite-Trap version.

## Ordering Information

### Connectors - Right Angle

Order No.	Type	Circuit Size	AWG	Current
<a href="#">104188-0110</a>	Standard	1	20-22 (Stranded)	9.0A
<a href="#">104188-0210</a>		2		
<a href="#">104238-0110</a>	Mini	1	22-26 (Solid)	3.0A
<a href="#">104238-0210</a>		2		