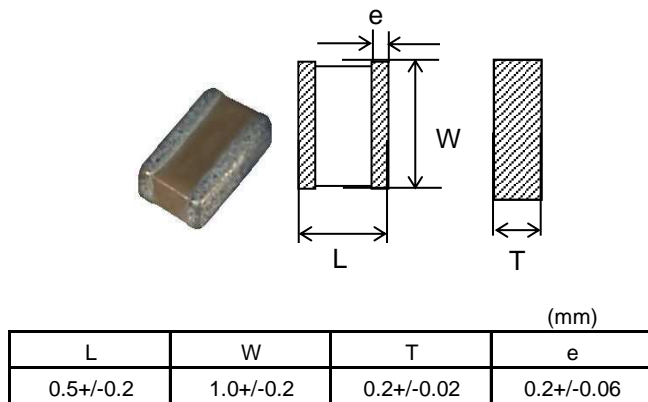


Chip Multilayer Ceramic Capacitor Electrical Characteristics Data

Murata Global Part No	Size (mm/inch)	Temp. Chara.	Cap.Value	Cap.Tol.	DC Rated Voltage
LLC152D70G105ME01	0510M/0204	X7T	1uF	+/-20%	DC 4V

1. Dimension



2. Cap,DF,IR

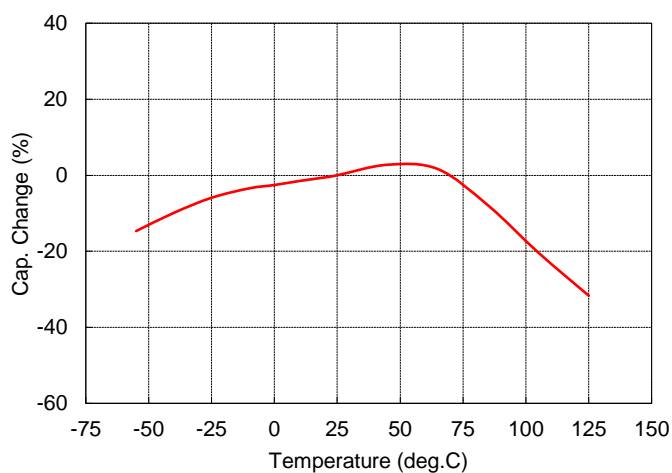
Capacitance,DF : 1kHz / 0.5Vrms

IR DC 4V , 60s

Item	Spec
Cap.[μ F]	0.8 to 1.2
DF	0.1 max.
IR[M ohm]	50.0 min.

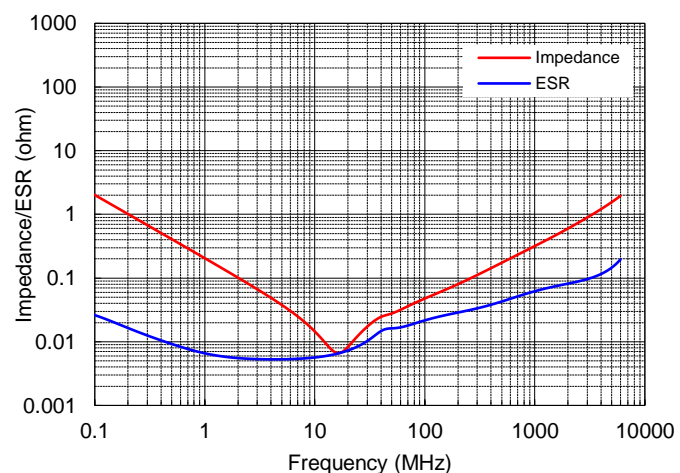
3. Capacitance - Temperature Characteristics

1kHz / 0.1Vrms Equipment: HP4284A



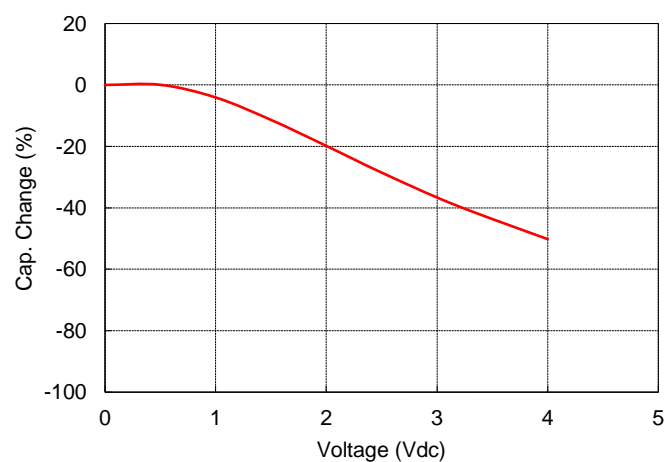
4. Impedance/ESR - Frequency

Equipment: E5071C (Agilent)



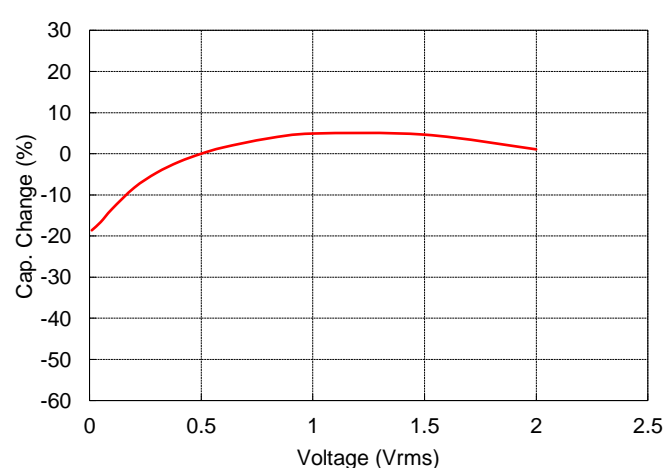
5. Capacitance - DC Voltage Characteristics

1kHz / 0.5Vrms Equipment: HP4284A



6. Capacitance - AC Voltage Characteristics

1kHz Equipment: HP4284A



Regarding detailed specifications, please check catalog or product specification. Information in this PDF are as of Jun.2020. They are subject to change or our products in it may be discontinued without advance notice. Please check the latest information before usage of the products.

仕様につきましては、カタログまたは納入仕様書をご確認ください。当PDFデータは2020年6月現在のものです。記載内容について、予告なく変更することがございますので、ご使用の際は最新の情報をご確認ください。