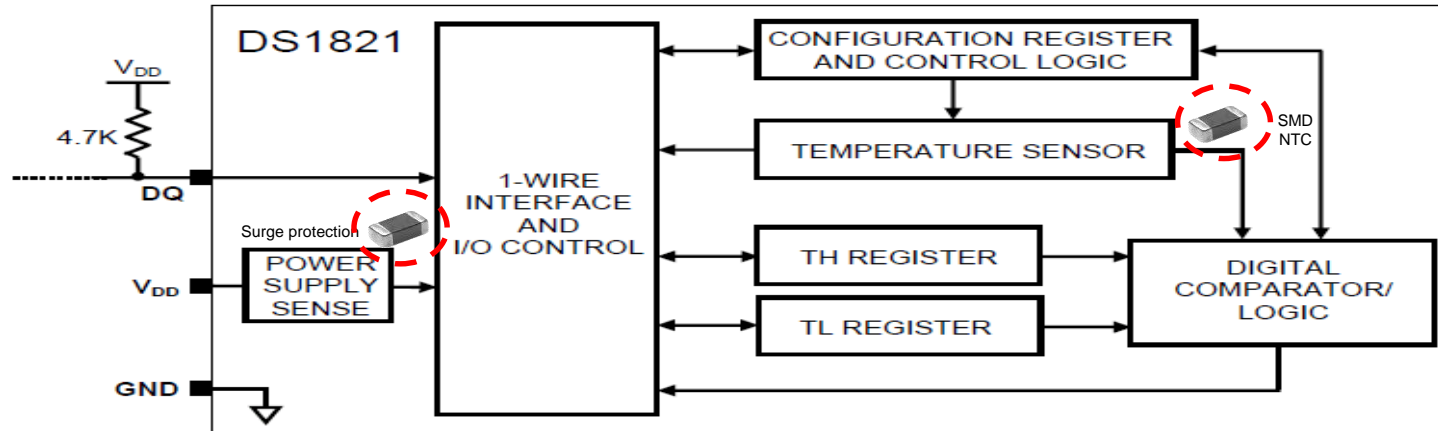


Application example: Thermostat



Block diagram retrieved from:
<https://www.maximintegrated.com/en/images/qv/2794.gif>

Surge protection with chip varistors

chip varistor (MLV)	type	$I_{\text{surge,max}}$ [A]	W_{max} (2 ms) [mJ]
B72520T0350K062	CT1206K35G	100	400
B72520T0400K062	CT1206K40G	100	500
B72520T0600K062	CT1206K60G	100	700
B72530T0300K062	CT1210K30G	300	2,000

thermal measurement with chip NTC thermistor

chip NTC thermistor	EIA case size	R_{25} [Ω]	$\Delta R_R/R_R$ [%]	$B_{25/100}$ [K]	$\Delta B/B$ [%]
B57332V5103E360	0603	10 k	1	3450	1
B57332V2103D560	0603	10 k	0.5	3455	0.7

NEW:
PROTOTYPE