



## MEAS M5600

### Wireless Pressure Transducer

- Digital 24-bit ADC Output, I<sup>2</sup>C Protocol
- Bluetooth® 4.0 Wireless Connection
- CE Compliant with a Variety of Pressure Ports
- Compact and Battery Powered [CR2050]
- Optional Stainless Steel Snubber
- Weatherproof (IP66/IP67)
- FCC Certified
- Stainless Steel and Polycarbonate Enclosure
- Gage, Sealed, Compound
- iOS, Android™ and Windows® XP/7+ Compatible

#### Features

- Heavy Industrial CE Approval
- 10 V/m EMI Protection
- ±0.25% Pressure Accuracy
- ±1.0% Total Error Band
- ±3°C Temperature Output Accuracy
- -10°C to +60°C Compensating Temperature
- -20°C to +85°C Operating Temperature

#### Applications

- Industrial Process Control and Monitoring
- Advanced HVAC Systems
- Refrigeration Systems
- Automotive Test Stands
- Off-Road Vehicles
- Pumps and Compressors
- Hydraulic/Pneumatic Systems
- Agriculture Equipment
- Energy Generation and Management
- Pool/Spa Pump Monitoring

The modular M5600 wireless pressure transducer from our Microfused line is enclosed in a stainless steel and polycarbonate housing. This high accuracy, 24-bit ADC digital output wireless transducer eliminates hard wiring and provides remote process control and monitoring via Bluetooth® 4.0 Wireless Communication. This series is suitable for measurement of liquid or gas pressure, even for difficult media such as contaminated water, steam, and mildly corrosive fluids.

The wetted material of the pressure port is made of 316L stainless steel and the transducer's durability is excellent with no o-rings or organics exposed to the pressure media. The M5600 is weatherproof and exceeds the latest heavy industrial CE requirements.

This product is geared to the OEM customer for mid to high volumes. TE stands ready to provide a custom design of the M5600 where the volume and application warrants. Additional configurations not listed are available. Please inquire for further information.

**Standard Ranges**

Range (psi)	Range (Bar)	Gage	Sealed	Compound
0 to 050	0 to 3.5	•		•
0 to 100	0 to 007	•		•
	0 to 010	•		•
0 to 200		•		•
0 to 300	0 to 020	•		•
0 to 500	0 to 035	•		•
0 to 01k	0 to 070	•	•	•
0 to 03k	0 to 200	•	•	•
0 to 05k	0 to 350	•	•	•
0 to 10k	0 to 700	•	•	•
0 to 15k	0 to 01k	•	•	•

Intermediate ranges available upon request.

**Performance Specifications**

**Ambient Temperature: 25°C (unless otherwise specified)** For custom configurations, consult factory.

Parameters	Min	Typ	Max	Units	Notes
Supply Voltage	2.3	3	3.6	Vdc	Replaceable CR2050 battery
Accuracy	-0.25		0.25	%F.S.	RSS of linearity, hysteresis, and repeatability
Temperature Output Accuracy	-3		3	°C	
Output Protocol	Digital I <sup>2</sup> C				
Resolution	24		Bit		
Endurance	1.00E+6				0~FS Cycles
Stability	-0.25		0.25	%F.S./year	
Total Error Band	-1		1	%F.S.	@25°C over compensated range
Proof Pressure	2X		20k psi	Rated	
Burst Pressure	3X		20k psi	Rated	
Compensated Temperature	-10		+60	°C	
Operating Temperature	-20		+85	°C	with battery
Storage Temperature	-40		+120	°C	without battery
Wireless Protocol	Bluetooth® 4.0 Wireless Connection or above				
Receiver Operating System	Android™ 4.3 or above, iOS 7 or above, Windows® XP/7 or above				
Signal Pairing Distance	65 feet				
Signal Transmission Distance	65 feet affected by receiver antenna and blocking objects				
Battery Life	2 years typical CR2050 350mAH battery, 5 second transmission interval, room temperature				
Low Battery Warning	2.5Vdc, red battery symbol in app				
Weatherproof	IP66 & IP67				
Pressure Port Material	17-4P Stainless Steel Port, 316L Stainless Steel Snubber				
Enclosure	Stainless Steel and Polycarbonate				
Shock	50g, 11msec Half Sine Shock per MIL-STD-202G, Method 213B, Condition A				
Vibration	±20g, MIL-STD-810C, Procedure 514.2, Fig 514.2-2, Curve L				

**Note:**

Battery life depends on its capacity, operating temperature and signal transmission interval. Some battery models offer high operating temperatures up to 125°C with nominal capacity 350mAH. Temperature can impact battery capacity retention even if idle. Check battery specifications for more details.

## M5600

Wireless Pressure Transducer

### Compliances

EN 55022 Emissions Class A & B

IEC 61000-4-2 Electrostatic Discharge Immunity (4kV contact/8kV air)

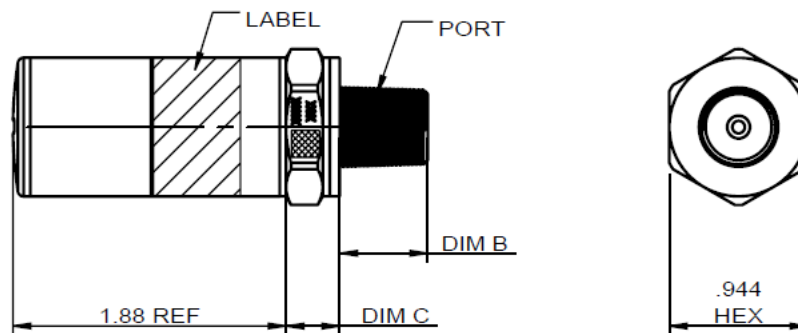
IEC 61000-4-3 Radiated, Radio-Frequency Electromagnetic Field Immunity (10V/m, 80M-1GHz); deviation <1.5%

RoHS

FCC

Bluetooth®

### Dimensions [mm]



Code	Port	Dim B	Dim C Ref.
2	1/4-19 BSPP	0.472 [11.94]	0.366 [9.3]
3	G3/8 JIS B2351	0.540 [13.72]	0.366 [9.3]
4	7/16-20UNF MALE SAE J1926-2 STRAIGHT THREAD O-RING BUNA-N 90SH-904	0.433 [11.0]	0.366 [9.3]
5	1/4-18 NPT	0.600 [15.24]	0.366 [9.3]
6	1/8-27 NPT	0.390 [9.91]	0.366 [9.3]
B	G1/4 JIS B2351	0.472 [11.94]	0.366 [9.3]
E	1/4-19 BSPT	0.500 [12.7]	0.366 [9.3]
F	1/4-19 BSPP FEMALE (without snubber)	0.771 [19.58]	0.366 [9.3]
P	7/16-20UNF FEMALE SAE J513 STRAIGHT THREAD WITH INTEGRAL VALVE DEPRESSOR	0.687 [17.5]	0.366 [9.3]
Q	M10 x 1.0 mm ISO 6149-2	0.374 [9.5]	0.366 [9.3]
N	7/16-20UNF FEMALE SAE J513 STRAIGHT THREAD	0.687 [17.5]	0.366 [9.3]
S	M12 x 1.5 mm ISO 6149-2	0.433 [11.0]	0.366 [9.3]
U	G/14 DIN 3852 FORM E GASKET DIN3869-14 NBR	0.472 [11.94]	0.445 [11.3]
W	M20 x 1.5 mm ISO 6149-2	0.551 [14.0]	0.366 [9.3]
G	M14 x 1.5 mm ISO 6149-2	0.433 [11.0]	0.366 [9.3]

## M5600

Wireless Pressure Transducer

### How to Operate

Please refer to the [M5600/U5600 Installation Manual](#) and [M5600/U5600 Software Manual](#).

**Note:** Communication is max 65 feet

### Ordering Information

M56	00	-	0	0	00	0	5	-	100P	G
Model	00	-	0	Snubber	00	Label	Pressure Port	-	Pressure Range	Pressure Type
M56	00	-	0 = 17-4PH	0 = No Selection 1 = Oxygen Clean B40.1 Level IV 2 = With Snubber	00	0 = Adhesive Label 1 = Laser Marking	2 = 1/4-19 BSPP 3 = G3/8 JIS B2351 4 = 7/16-20UNF Male SAE J1926-2 Straight Thread O- Ring BUNA-N 90SH-904 5 = 1/4-18 NPT 6 = 1/8-27NPT B = G1/4 JIS B2351 E = 1/4-19 BSPT F = 1/4-19 BSPP Female P = 7/16-20UNF Female SAE J513 Straight Thread with Integral Valve Depressor Q = M10 x 1.0 mm ISO 6149-2 N = 7/16-20UNF FEMALE SAE J513 Straight Thread S = M12 x 1.5 mm ISO 6149-2 U = G1/4 DIN 3852 Form E Gasket DIN3869-14 NBR W = M20 x 1.5 mm ISO 6149-2 G = M14 x 1.5 mm ISO 6149-2	-	050P 100P 200P 300P 500P 01KP 03KP 05KP 07KP 10KP 15KP 3.5B 007B 010B 020B 035B 070B 200B 350B 500B 700B 01KB	G = Gage S = Sealed C = Compound

**Note:** Compound pressure range is -14.7 to xxxpsig or -1 to xxxbarg. (e.g. 200PC: -14.7 to 200psig, 020BC: -1 to 20barg)

#### NORTH AMERICA

Measurement Specialties, Inc.,  
a TE Connectivity company  
45738 Northport Loop West  
Fremont, CA 94538  
Tel: +1 800 767 1888  
Fax: +1 510 498 1578  
[customercare.frm@te.com](mailto:customercare.frm@te.com)

#### EUROPE

MEAS France SAS,  
a TE Connectivity company  
26 Rue des Dames  
78340 Les Clayes-sous-Bois, France  
Tel: +33 (0) 130 79 33 00  
Fax: +33 (0) 134 81 03 59  
[customercare.lcsb@te.com](mailto:customercare.lcsb@te.com)

#### ASIA

Measurement Specialties (China) Ltd.,  
a TE Connectivity company  
No. 26 Langshan Road  
Shenzhen High-Tech Park (North) Nanshan District,  
Shenzhen, 518057  
China  
Tel: +86 755 3330 5088  
Fax: +86 755 3330 5099  
[customercare.shzn@te.com](mailto:customercare.shzn@te.com)

#### te.com/sensorsolutions

Android is a trademark of Google Inc.  
Google Play is a trademark of Google Inc.

iOS is a trademark or registered trademark of Cisco in the U.S. and other countries and is used under license.

Microsoft, Encarta, MSN, and Windows are either registered trademarks or trademarks of Microsoft Corporation in the United States and/or other countries.

Android and Windows are trademarks of their respective owners.

The Bluetooth® word mark and logos are registered trademarks owned by the Bluetooth SIG, Inc. and any use of such marks by TE Connectivity is under license. Other trademarks and trade names are those of their respective owners.

Measurement Specialties Inc., a TE Connectivity company.

Microfused, Measurement Specialties (MEAS), American Sensor Technologies (AST), TE Connectivity, TE Connectivity (logo) and EVERY CONNECTION COUNTS are trademarks. All other logos, products and/or company names referred to herein might be trademarks of their respective owners.

The information given herein, including drawings, illustrations and schematics which are intended for illustration purposes only, is believed to be reliable. However, TE Connectivity makes no warranties as to its accuracy or completeness and disclaims any liability in connection with its use. TE Connectivity's obligations shall only be as set forth in TE Connectivity's Standard Terms and Conditions of Sale for this product and in no case will TE Connectivity be liable for any incidental, indirect or consequential damages arising out of the sale, resale, use or misuse of the product. Users of TE Connectivity products should make their own evaluation to determine the suitability of each such product for the specific application.

© 2016 TE Connectivity Ltd. family of companies All Rights Reserved.