

Gate Drive Transformer

HA86A series



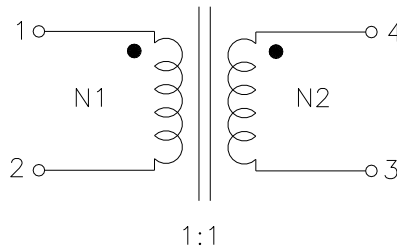
Features:

- Operating Temperature Range -40°C to +125°C
- Ambient Temperature, Maximum +85°C
- Temperature Rise, Maximum 40°C
- RoHS Compliant
- AEC-Q200 Certified
- Design for Freescale HV/EV Battery Management System



All parts are Pb-free and comply with EU RoHS Directive 2011/65/EU with amendment (EU) 2015/863 (RoHS3)

Schematic



Specifications @ 25°C

Part Number	Inductance (1-2 or 4-3) μH Min.	Leakage Inductance (μH) Max	DC Resistance Ω .		DC Resistance Ω .		Dielectric Break-down Voltage(1-4)
			1-2		4-3		
			Typ	Max	Typ	Max	
HA86A-10050LFTR	50	0.08	0.033	0.100	0.033	0.100	500Vdc@1sec
HA86A-10125LFTR	125	0.08	0.047	0.100	0.047	0.100	500Vdc@1sec
HA86A-10180LFTR	180	0.08	0.108	0.200	0.108	0.200	500Vdc@1sec
HA86A-10255LFTR	255	0.10	0.156	0.250	0.156	0.250	500Vdc@1sec
HA86A-10368LFTR	368	0.10	0.242	0.350	0.242	0.350	500Vdc@1sec
HA86A-20050LFTR	50	0.10	0.135	0.200	0.092	0.200	*3750Vrms@1sec
HA86A-20125LFTR	125	0.10	0.172	0.250	0.130	0.250	*3750Vrms@1sec

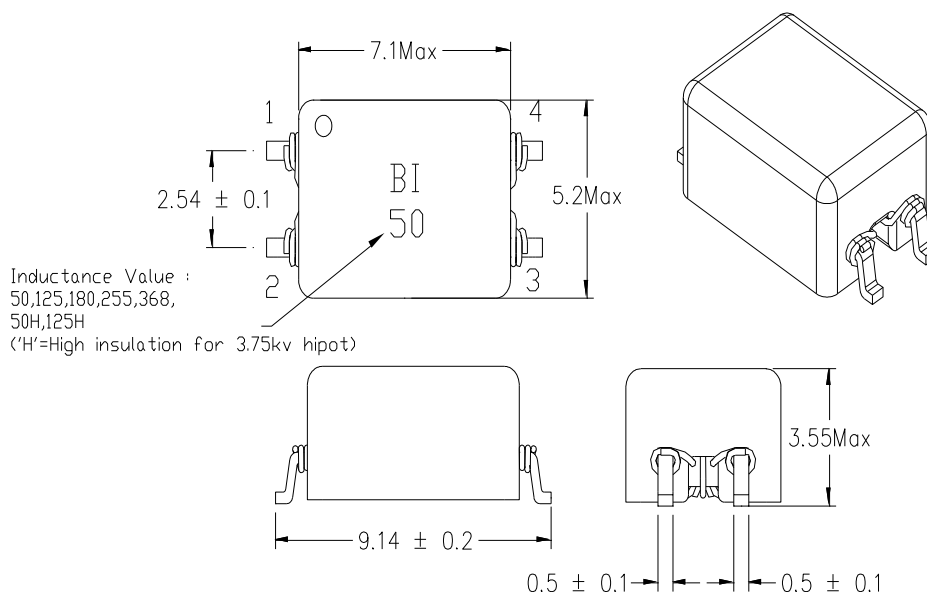
General Note

TT Electronics reserves the right to make changes in product specification without notice or liability. All information is subject to TT Electronics' own data and is considered accurate at time of going to print.

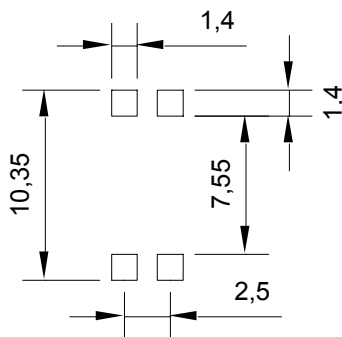
Notes:

1. Inductance and leakage Inductance are measured at 100 kHz, 0.01Vac.
2. Leakage inductance is measured at pin 1-2 with N2 (pin 4-3) winding shorted.
3. *Dielectric breakdown voltage is measured at 50Hz, 0.5mA.

Outline dimensions (mm)



RECOMMENDED PCB HOLES



General Note

TT Electronics reserves the right to make changes in product specification without notice or liability. All information is subject to TT Electronics' own data and is considered accurate at time of going to print.

TT Electronics | BI Technologies
A-1445, Jalan Tanjung Api, 25050 Kuantan, Pahang Darul Makmur, Malaysia
Ph: +60 9 565 8888
<https://www.ttelectronics.com/contacts/contact-finder/>

Packaging

Standard:	Embossed Tape and Reel			
	Reel:	Diameter	All case size	= 13" (330mm)
		Capacity	All case size	= 1500

Ordering information

