

ECN/PCN No.: M1623

For Manufacturer

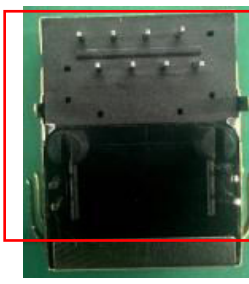
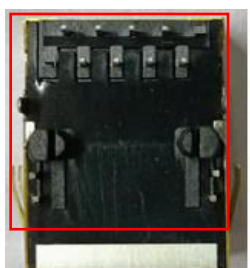
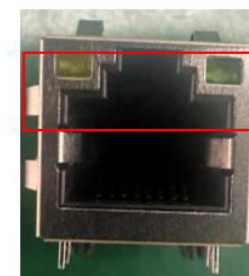
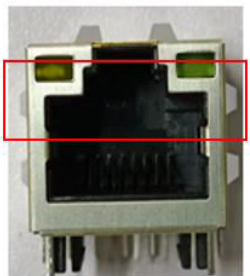
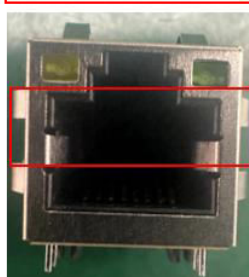
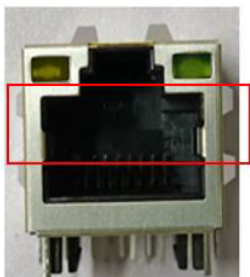
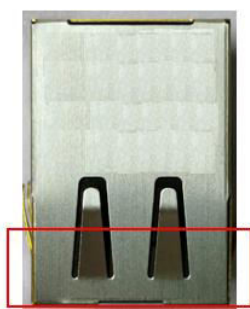
Product Description: RJ45 10/100/1000 Base-T Jack with Magnetic Module	Abracon Part Number / Part Series: ARJ11C-MASAB-B-A-1MU2	<input type="checkbox"/> Documentation only <input checked="" type="checkbox"/> ECN <input type="checkbox"/> EOL	<input checked="" type="checkbox"/> Series <input type="checkbox"/> Part Number(s)
Affected Revision: B	New Revision: C	Application: <input type="checkbox"/> Safety <input checked="" type="checkbox"/> Non-Safety	

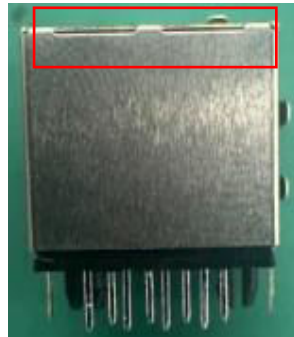
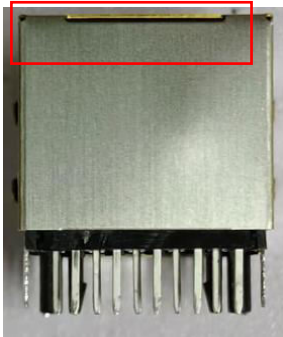
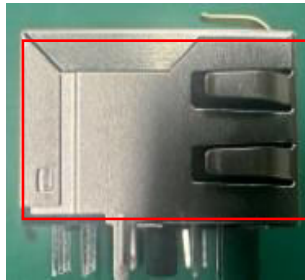
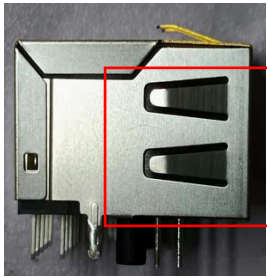
Prior to Change:
Update housing details for ARJ11C-MASAB-B-A-1MU2

After Change:
There is some variation in the mechanical Molding and has same pin layouts and electrical characteristics

Before Change

After Change



Before Change
After Change

Cause/Reason for Change:

New molding was added because the old molding was getting aged

Change Plan
Effective Date:

7/2/2025

Additional Remarks:
Change Declaration:

Change in the housing look and no change in the fit, form factor and electrical aspects

Issued Date:

7/2/2025

Issued By:

Baji suryadevara

Issued Department:

Engineering

Approval:

Syed Raza
CTO

Approval:

Reuben Quintanilla
Quality Director

Approval:

Ying Huang
Purchasing Director

For Abracon EOL only
Last Time Buy (if applicable):
Alternate Part Number / Part Series:
Additional Approval:
Additional Approval:
Additional Approval:
Customer Approval (If Applicable)
Qualification Status:

Approved Not accepted

Note: It is considered approved if there is no feedback from the customer 1 month after ECN/PCN is released.

Customer Part Number:
Customer Project:
Company Name:
Company Representative:
Representative Signature:
Customer Remarks:

RJ45 10/100/1000 Base-T Jack with Magnetic Module



ARJ11C Series

Request Samples



Check Inventory



Various sizes

RoHS/RoHS II Compliant

MSL Level = N/A

Features

- Excellent EMI suppression
- Meets IEEE 802.3 standards and FCC mechanical requirements
- Low cost, RoHS compliant Reflowable device

Applications

- LAN-on-Motherboard (LOM)
- SOHO (ADSL modems), Hubs
- Suitable for CAT 5&6 Fast Ethernet Cable or better UTP
- Switches/Routers

Electrical Specifications

Part Number	Turns Ratio		EMI Fingers	LED (L/R)	Insertion Loss (dB max)	Return Loss (dB min @100Ω±15Ω)			
	TX	RX				0.3-100 MHz	1- 30 MHz	40 MHz	50 MHz
ARJ11C-MBSAS-A-BA-□MU2	1CT:1CT	1CT:1CT	Yes	G/YG	-1.2	-16	-13.5	-11.5	-10
ARJ11C-MBSAT-A-B-□MU2	1CT:1CT	1CT:1CT	Yes	G/Y	-1.2	-16	-13.5	-11.5	-10
ARJ11C-MBSAS-A-B-□MU2	1CT:1CT	1CT:1CT	Yes	G/Y	-1.2	-16	-13.5	-11.5	-10
ARJ11C-MBSAU- A-B-□MU2	1CT:1CT	1CT:1CT	Yes	G/Y	-1.2	-16	-13.5	-11.5	-10
ARJ11C-MCSAT- A-B-□MU2	1CT:1CT	1CT:1CT	Yes	G/Y	-1.1	-15	-15	-15	-12
ARJ11C-MASAA- B-A-□LU2	1CT:1	1CT:1CT	Yes	Y/G	-1.2	-14	-14	-14	-10
ARJ11C-MASAB- B-A-□MU2	1CT:1CT	1CT:1CT	Yes	Y/G	-1.2	-14	-14	-14	-10
ARJ11C-MASAD- A-A-□MU2	1CT:1CT	1CT:1CT	Yes	G/G	-1.2	-14	-14	-14	-10

Part Number	Crosstalk (dB min)			DCMR (dB min)			Hipot (Vrms)
	30 MHz	60 MHz	100 MHz	30 MHz	60 MHz	100 MHz	
ARJ11C-MBSAS-A-BA-□MU2	-40	-36	-30	-35	-32	-30	1500
ARJ11C-MBSAT-A-B-□MU2	-40	-36	-30	-35	-32	-30	1500
ARJ11C-MBSAS-A-B-□MU2	-40	-36	-30	-35	-32	-30	1500
ARJ11C-MBSAU- A-B-□MU2	-40	-36	-30	-35	-32	-30	1500
ARJ11C-MCSAT- A-B-□MU2	-35	-26	-24	-35	-32	-30	1500
ARJ11C-MASAA- B-A-□LU2	-40	-36	-30	-35	-32	-30	1500
ARJ11C-MASAB- B-A-□MU2	-40	-36	-30	-35	-32	-30	1500
ARJ11C-MASAD- A-A-□MU2	-40	-36	-30	-35	-32	-30	1500

DCMR: Differential to Common Mode Rejection

□: LED Polarity Option

ARJ11C-MA: 1 or 2

ARJ11C-MBSAS: 7

ARJ11C-MB: 3 or 4

ARJ11C-MC: 5 or 6

Contact Abracon for more custom configurations. See options to build a custom configuration.

Operating Temperature: 0°C to +70°C

Storage Temperature: -40°C to +85°C

ARJ11C Series is RoHS Compliant.

Operating life: 750 Cycles min.



12117 Bee Caves Rd Bldg-3, Ste 200
Bee Cave, TX 78738
Ph: (512) 371-6159
Fax: (512) 351-8858

REVISION C : 7/2/2025

ABRACON IS
ISO9001-2015
CERTIFIED

RJ45 10/100/1000 Base-T Jack with Magnetic Module



ARJ11C Series

Request Samples



Check Inventory



Various sizes

RoHS/RoHS II Compliant

MSL Level = N/A

Part Identification

ARJ11C - - - -

Mechanical	Schematic	Left LED color (e.g. B for Yellow, AB for Green-Yellow)	Right LED color (e.g. B for Yellow, AB for Green-Yellow)	LED polarity	Turns Ratio (Tx, or All pairs for 1000 Base-T)	Turns Ratio (Rx, or Blank for 1000 Base-T)	Gold plating
MA ~ MC (Please see mechanical section)	SAA ~ SCB (Please see schematic section)	Blank: No LED A: Green B: Yellow C: Amber D: Orange	Blank: No LED A: Green B: Yellow C: Amber D: Orange	Blank: No LED 1 ~ 7 (Please see LED polarity section)	K: 1CT:1.41 L: 1CT:1 M: 1CT:1CT N: 1.414:1CT O: 1CT:1.41CT P: 1:2CT Q: 1:1.414CT R: 1CT:2.5	S: 1CT:1.41 T: 1CT:1 U: 1CT:1CT V: 1.414:1CT W: 1CT:1.41CT X: 1:2CT Y: 1:1.414CT Z: 1CT:2.5	1: 3u " 2: 6u " 3: 15u " 4: 30u " 5: 50u "

Materials

Housing Material:

MATERIAL: NYLON GF (Fr50) UL94V-0
STANDARD COLOR: BLACK

Insert Material:

MATERIAL: Phos-Bronze C5210 EH--0.35mm Thickness
Insert -PBT GF UL94V-0
1.PLATING (1) NICKEL
2.PLATING (2) 100%Sn
3.PLATING (3) GOLD (3u " ~ 50u ") (see options)

Plate Material:

PBT GF UL 94V-0

Contact pin Material:

MATERIAL: Phos-Bronze C5191--0.35mm Thickness
1.PLATING (1) NICKEL
2.PLATING (2) 100%Sn

Shielding Material:

BRASS C2680 PLATING NICKEL

Note: No material substitutions allowed without prior approval by customers in writing



12117 Bee Caves Rd Bldg-3, Ste 200
Bee Cave, TX 78738
Ph: (512) 371-6159
Fax: (512) 351-8858

REVISION C : 7/2/2025

ABRACON IS
ISO9001-2015
CERTIFIED

RJ45 10/100/1000 Base-T Jack with Magnetic Module



ARJ11C Series

Request Samples



Check Inventory



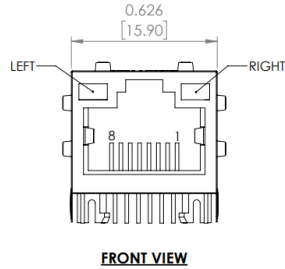
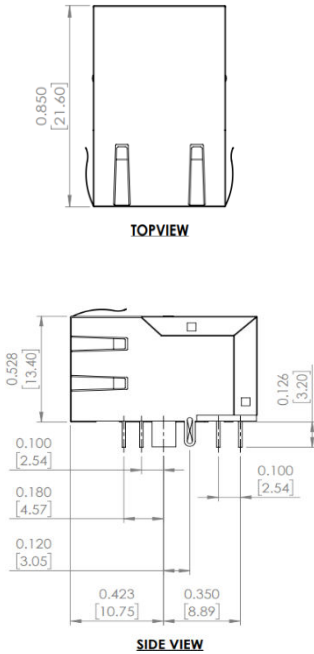
Various sizes

RoHS/RoHS II Compliant

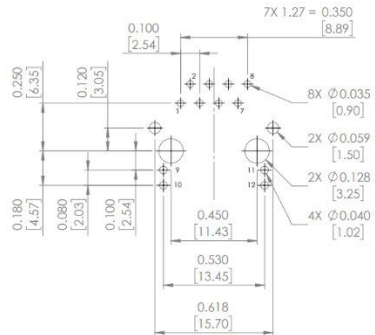
MSL Level = N/A

Mechanical Specifications

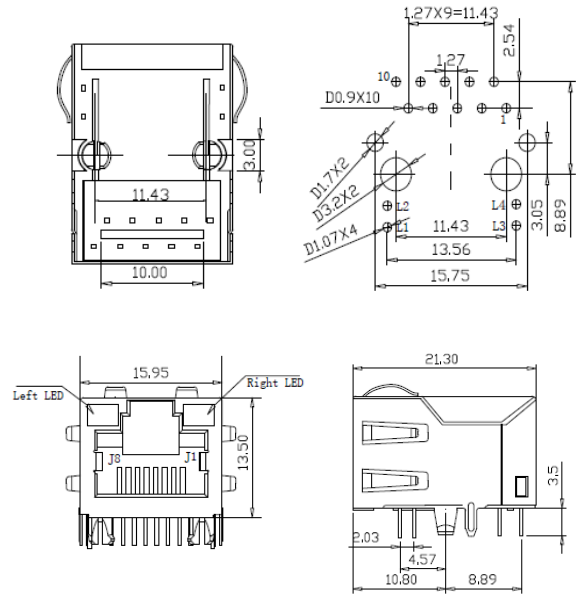
MA



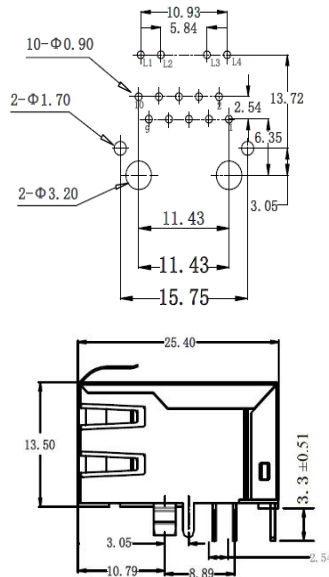
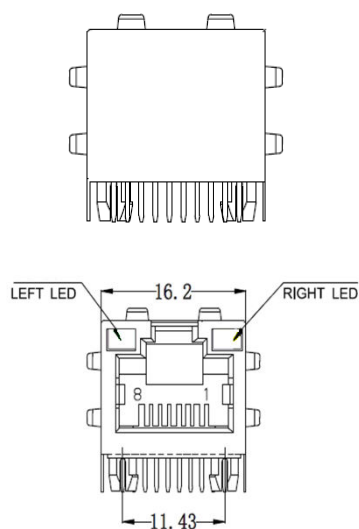
**SUGGESTED PCB PAD LAYOUT
COMPONENT SIDE VIEW**



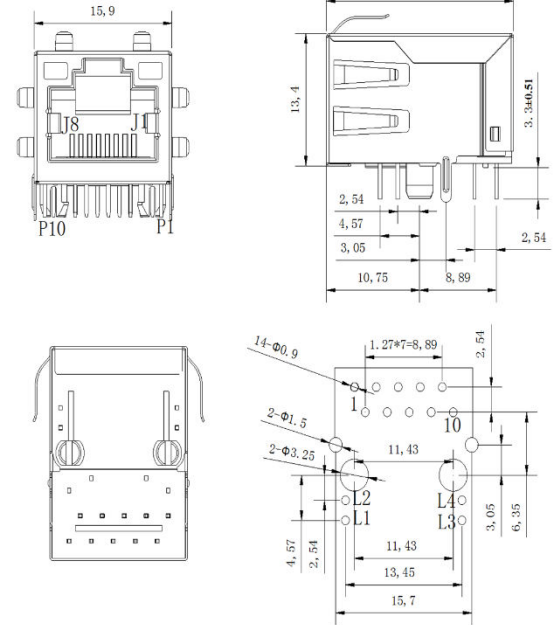
MB



MC



MD



Dimensions: mm

Unless otherwise noted, all tolerances are ±0.25mm



12117 Bee Caves Rd Bldg-3, Ste 200
Bee Cave, TX 78738
Ph: (512) 371-6159
Fax: (512) 351-8858

REVISION C : 7/2/2025

ABRACON IS
ISO9001-2015
CERTIFIED

RJ45 10/100/1000 Base-T Jack with Magnetic Module



ARJ11C Series

Request Samples



Check Inventory

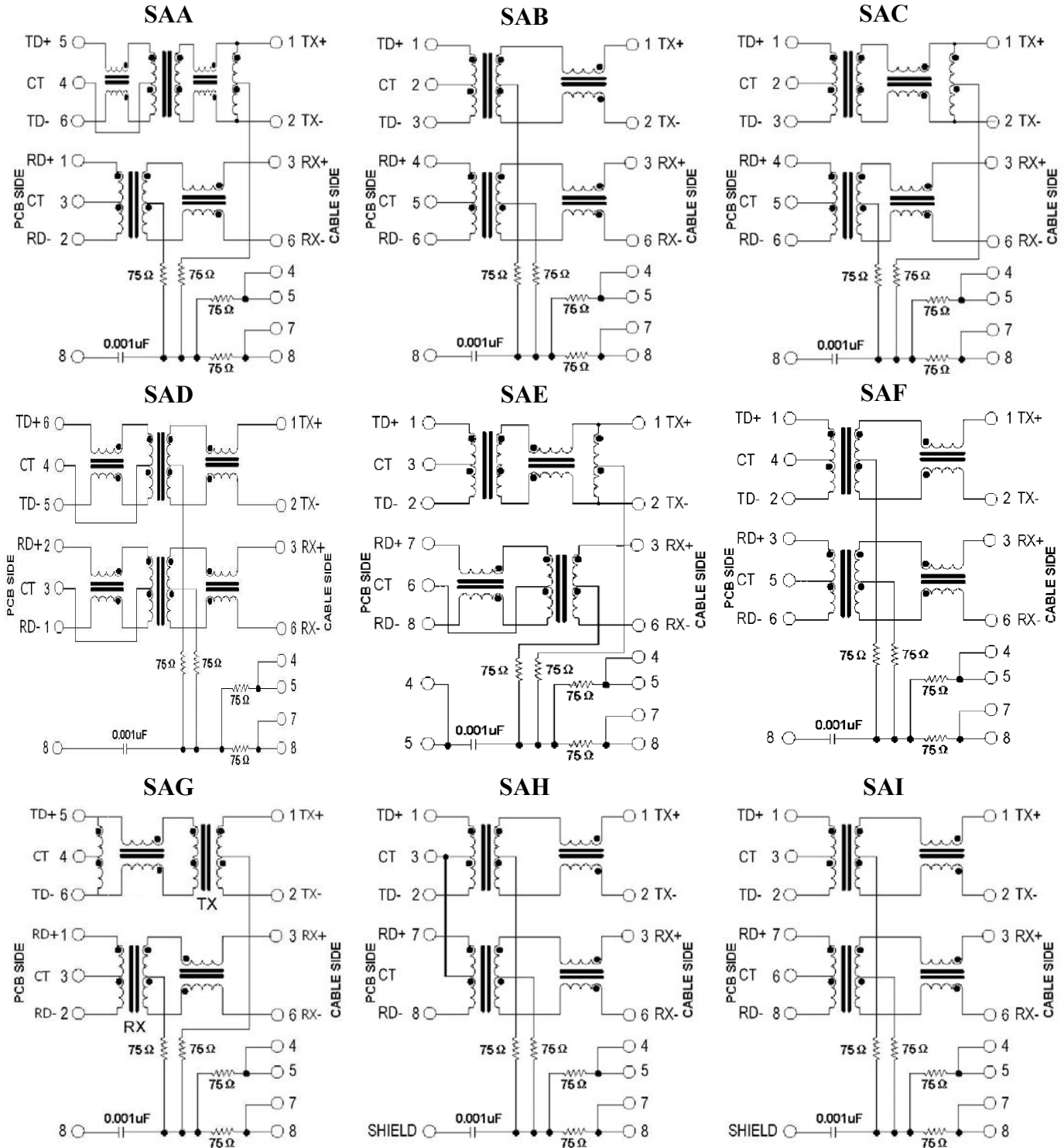


Various sizes

RoHS/RoHS II Compliant

MSL Level = N/A

Schematics



12117 Bee Caves Rd Bldg-3, Ste 200
 Bee Cave, TX 78738
 Ph: (512) 371-6159
 Fax: (512) 351-8858

REVISION C : 7/2/2025

ABRACON IS
 ISO9001-2015
 CERTIFIED

RJ45 10/100/1000 Base-T Jack with Magnetic Module



ARJ11C Series

Request Samples



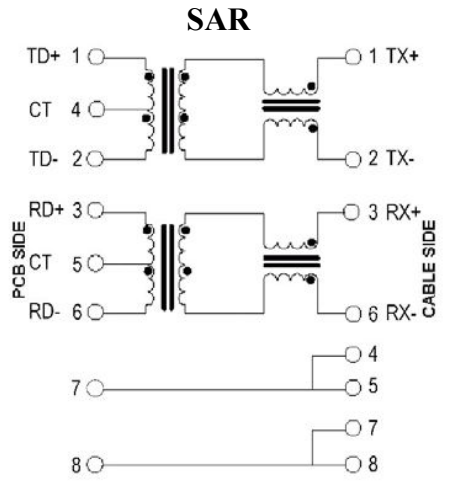
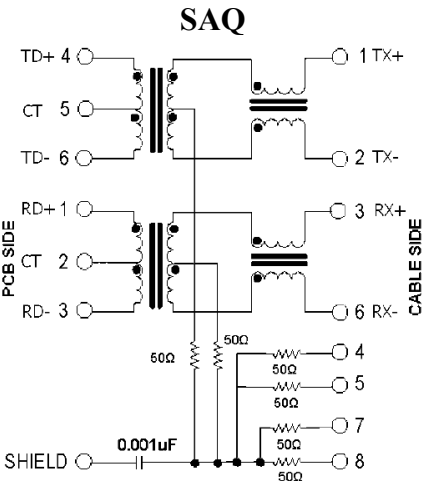
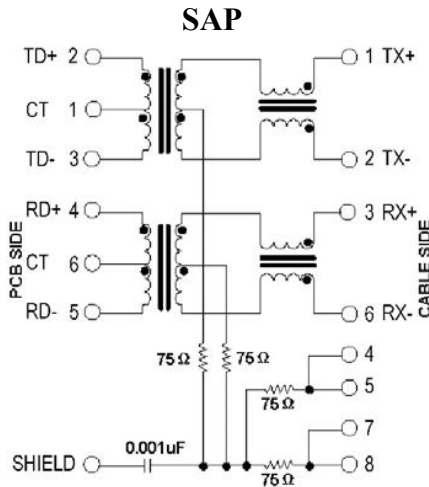
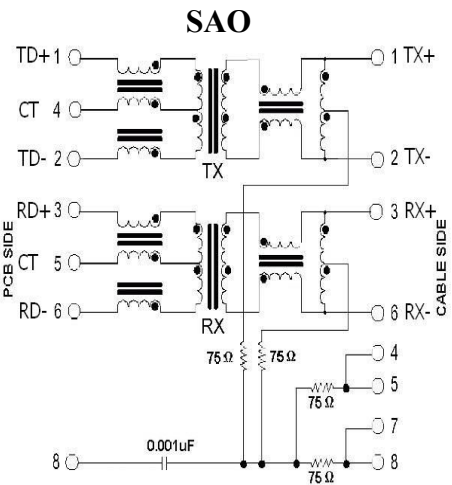
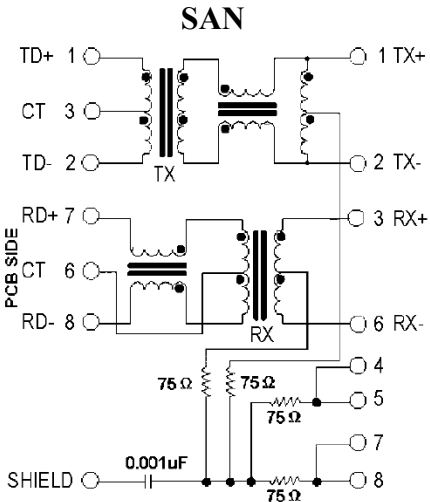
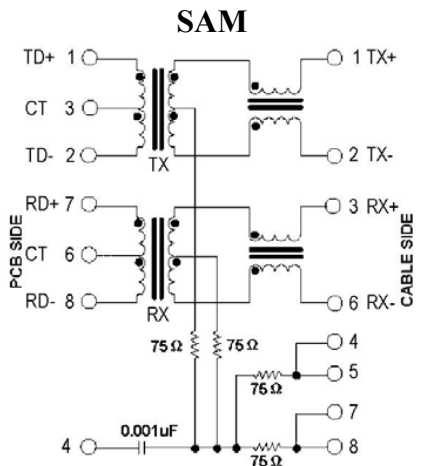
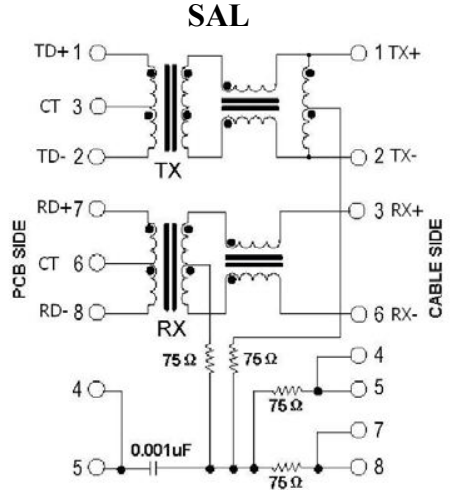
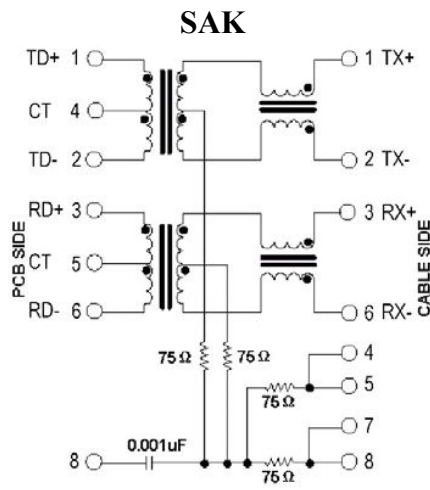
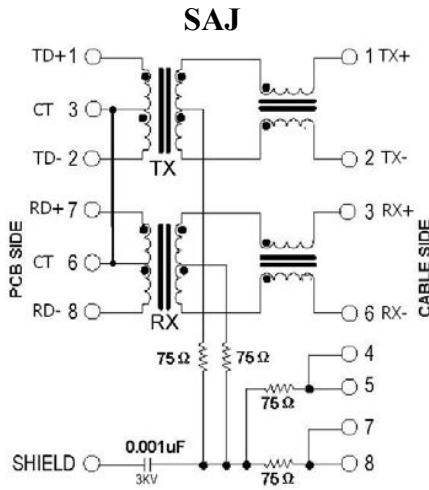
Check Inventory



Various sizes

RoHS/RoHS II Compliant

MSL Level = N/A



12117 Bee Caves Rd Bldg-3, Ste 200
 Bee Cave, TX 78738
 Ph: (512) 371-6159
 Fax: (512) 351-8858

REVISION C : 7/2/2025

ABRACON IS
 ISO9001-2015
 CERTIFIED

RJ45 10/100/1000 Base-T Jack with Magnetic Module



ARJ11C Series

Request Samples



Check Inventory

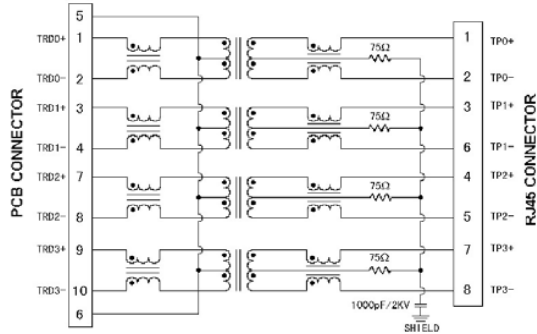


Various sizes

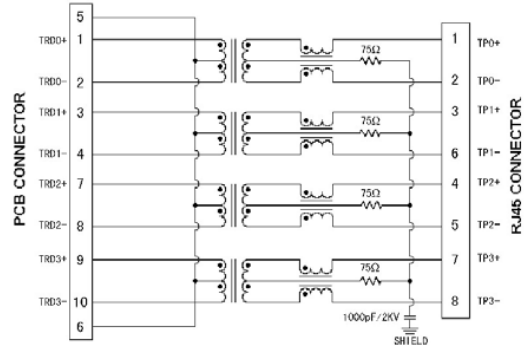
RoHS/RoHS II Compliant

MSL Level = N/A

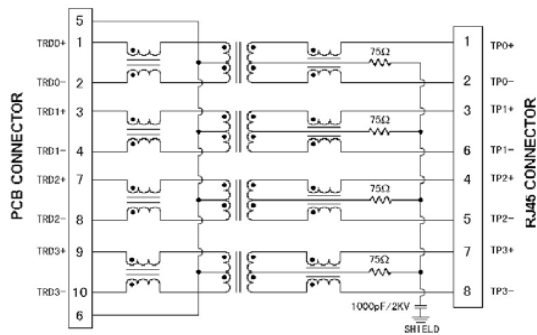
SAS



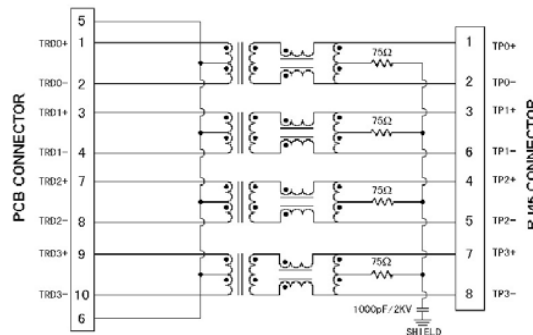
SAT



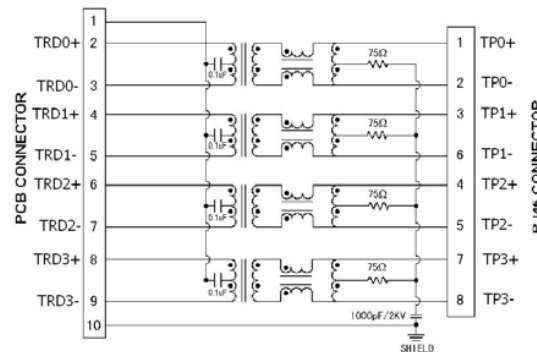
SAU



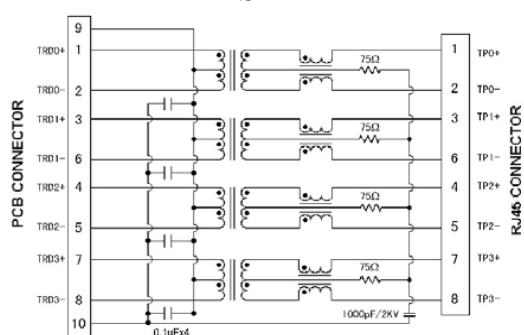
SAV



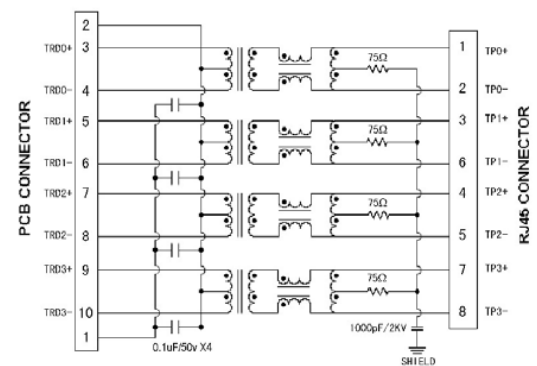
SAW



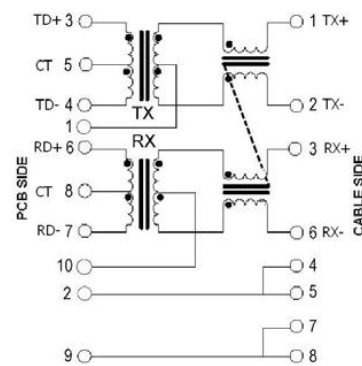
SAX



SAY



SAZ



12117 Bee Caves Rd Bldg-3, Ste 200
 Bee Cave, TX 78738
 Ph: (512) 371-6159
 Fax: (512) 351-8858

REVISION C : 7/2/2025

ABRACON IS
 ISO9001-2015
 CERTIFIED

RJ45 10/100/1000 Base-T Jack with Magnetic Module



ARJ11C Series

Request Samples



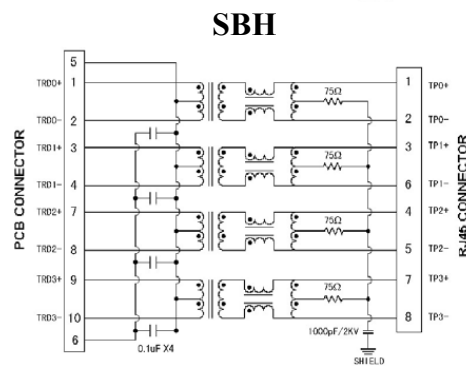
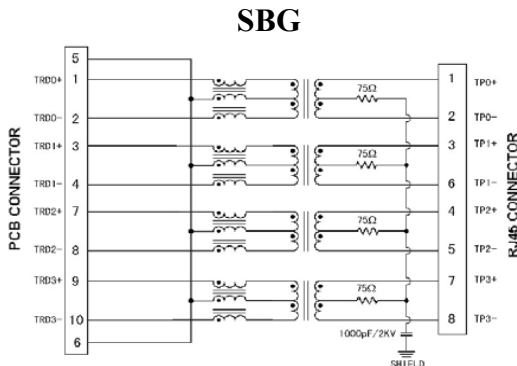
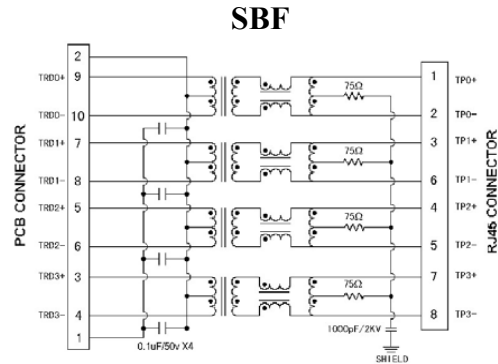
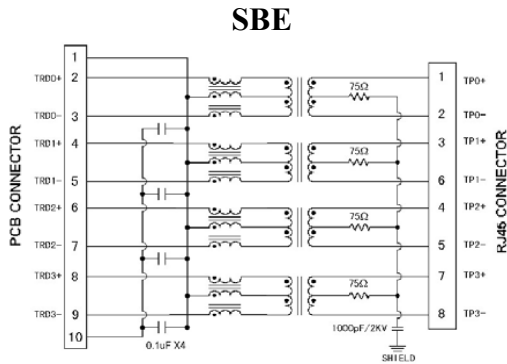
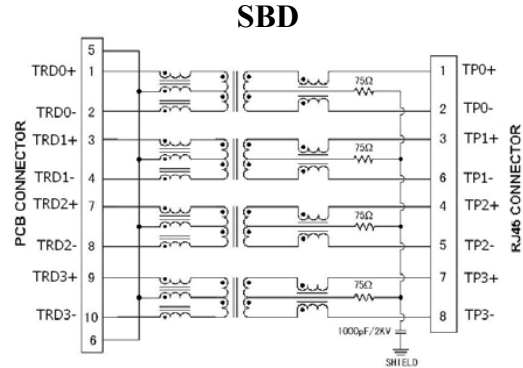
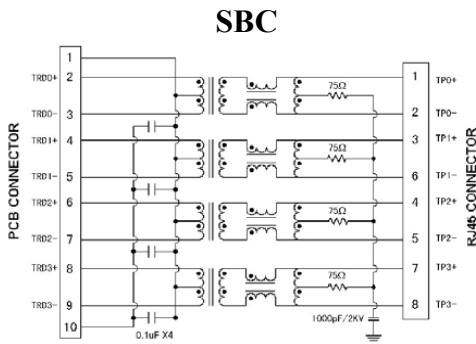
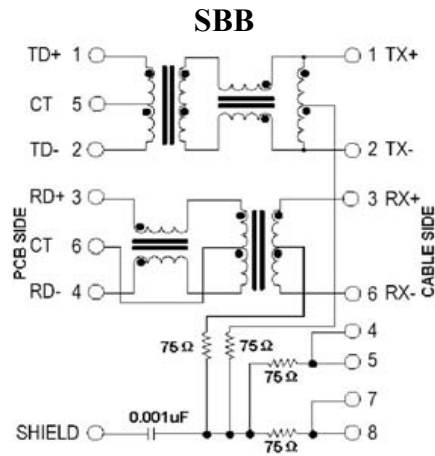
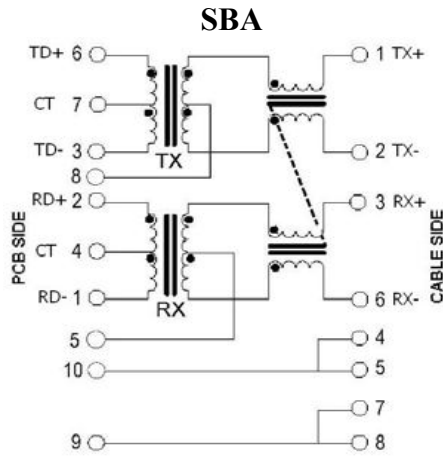
Check Inventory



Various sizes

RoHS/RoHS II Compliant

MSL Level = N/A



12117 Bee Caves Rd Bldg-3, Ste 200
 Bee Cave, TX 78738
 Ph: (512) 371-6159
 Fax: (512) 351-8858

REVISION C : 7/2/2025

ABRACON IS
 ISO9001-2015
 CERTIFIED

RJ45 10/100/1000 Base-T Jack with Magnetic Module



ARJ11C Series

Request Samples



Check Inventory



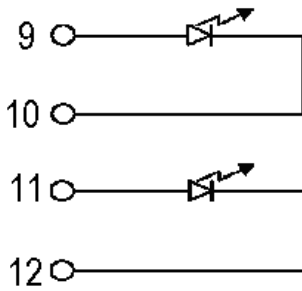
Various sizes

RoHS/RoHS II Compliant

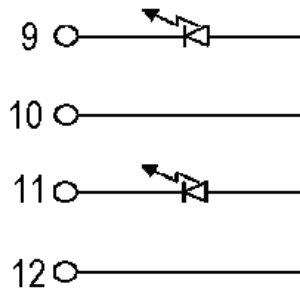
MSL Level = N/A

LED polarity

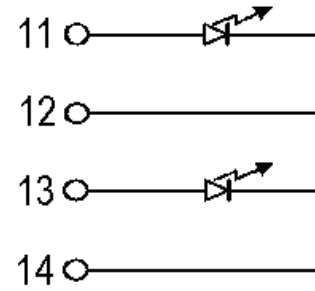
1



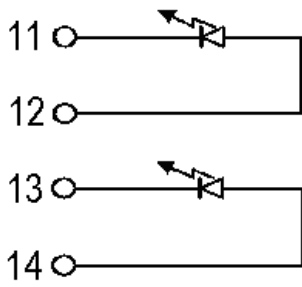
2



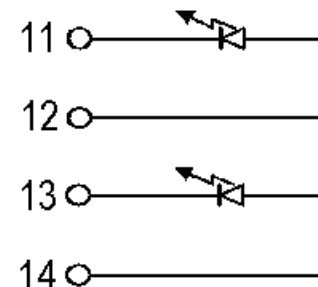
3



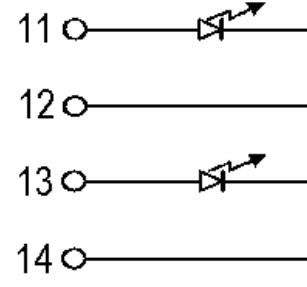
4



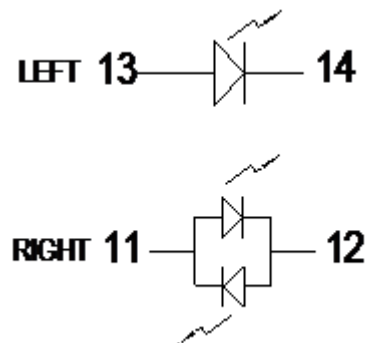
5



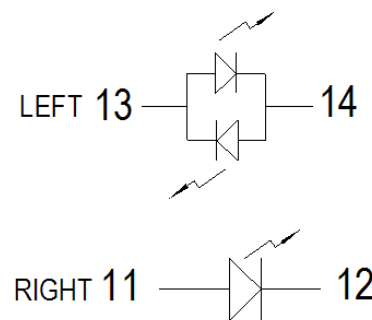
6



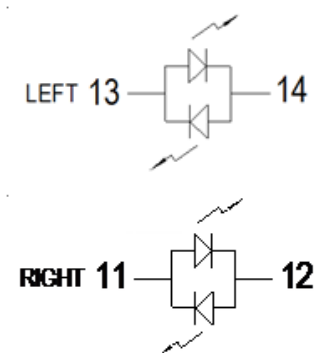
7



8



9



RJ45 10/100/1000 Base-T Jack with Magnetic Module



ARJ11C Series

Request Samples



Check Inventory

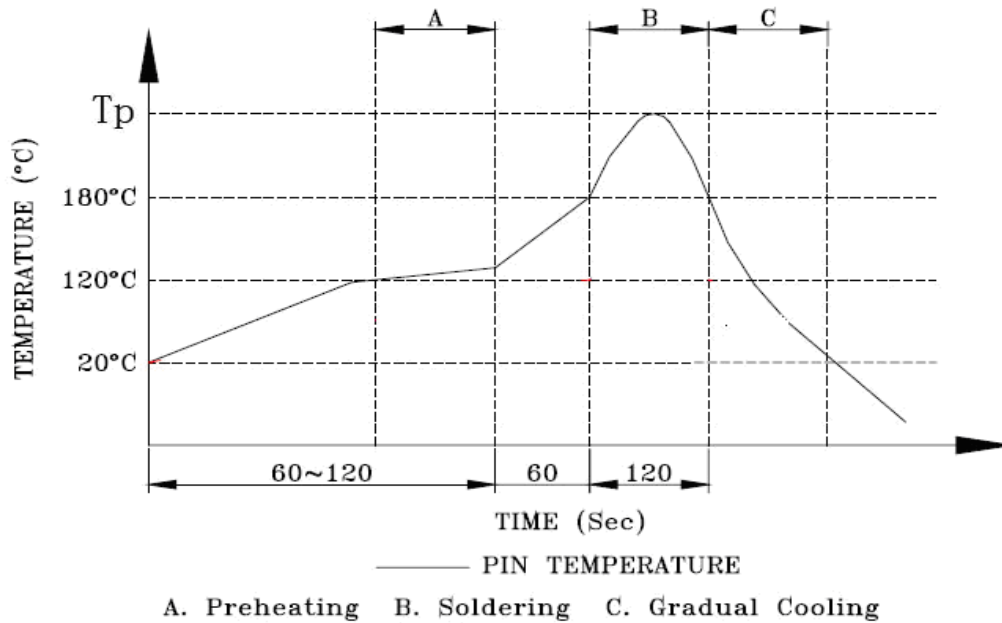


Various sizes

RoHS/RoHS II Compliant

MSL Level = N/A

Reflow Profile



Peak temperature (Tp): $250 \pm 10^\circ\text{C}$

Peak temperature (Tp) time: 5sec max

RJ45 10/100/1000 Base-T Jack with Magnetic Module



ARJ11C Series

Request Samples



Check Inventory



Various sizes

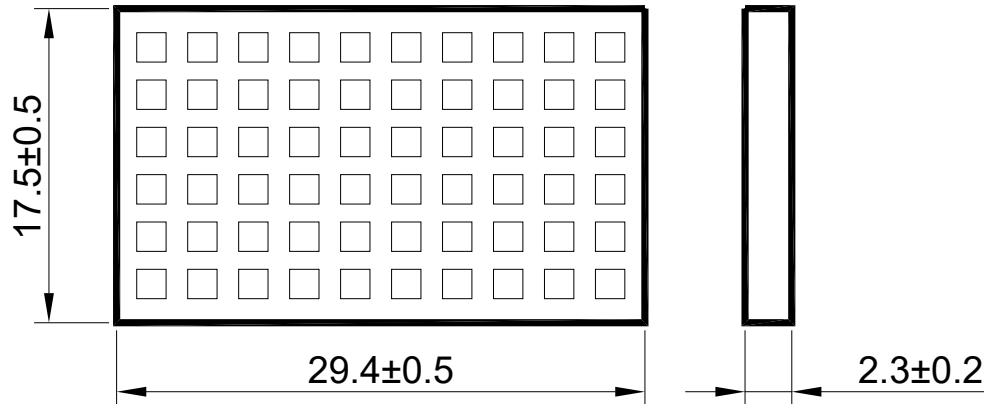
RoHS/RoHS II Compliant

MSL Level = N/A

Packaging

60 pcs/tray

Packaging material: PET



Dimensions: mm

ATTENTION: Abracon LLC's products are COTS – Commercial-Off-The-Shelf products; suitable for Commercial, Industrial and, where designated, Automotive Applications. Abracon's products are not specifically designed for Military, Aviation, Aerospace, Life-dependent Medical applications or any application requiring high reliability where component failure could result in loss of life and/or property. For applications requiring high reliability and/or presenting an extreme operating environment, written consent and authorization from Abracon LLC is required. Please contact Abracon LLC for more information.



12117 Bee Caves Rd Bldg-3, Ste 200
Bee Cave, TX 78738
Ph: (512) 371-6159
Fax: (512) 351-8858

REVISION C : 7/2/2025

ABRACON IS
ISO9001-2015
CERTIFIED

Brand	Affected PN	Discontinued/EOL PN
Abracon	All parts with prefix ARJ11C	

Added PN	Series	ECO#
	ARJ11C	M1623

Datasheet Link

<https://abracon.com/Magnetics/lan/ARJ11C.pdf>

ECN Notification Link

<https://abracon.com/downloads/ECN-PCN/ECN-PCN-M1623-ARJ11C-MASAB-B-A-1MU2.pdf>