

PCN Product Change Notification



PCN-Nr.: 100226_1_MBÖ

Datum: 10/02/2026

Product:	According to the list below
Type of change:	Major
Description of change:	To improve long-term stability under harsh environmental conditions, the sealing ring (O-ring) and the corresponding sealing nut have been modified. If the specified front panel cutout is observed, the IP protection class according to the data sheet is guaranteed.
Reason of change:	Optimization of robustness
Implementation date:	April 2025

PCN revision history

Date of revision	No. of revision	Reason

34-500170	Konfektion 2 x M12 + 1x M8
34-506400	Kabelkonfektion 2x M12 Flansch + JST-ZHR5/A6553
43-01012	SAL-12-FSH4-0,5
43-01505	SAL-12-FSH4-0,5/A1000
43-01013	SAL-12-FSH5-0,5
43-01506	SAL-12-FSH5-0,5/A1000
43-01014	SAL-12-FSH8-0,5
43-01507	SAL-12-FSH8-0,5/A1000
43-01032	SAL-12-FSH4-P5,5
43-01424	SAL-12-FSH4-P5,5/A1000
43-01032E	SAL-12-FSH4-P5,5
43-01033	SAL-12-FSH5-P5,5
43-01033E	SAL-12-FSH5-P5,5
43-01415	SAL-12-FSH5-P5,5/A1000
43-01034	SAL-12-FSH8-P5,5
43-01034E	SAL-12-FSH8-P5,5
43-01426	SAL-12-FSH8-P5,5/A1000
43-01035	SAL-12-FSH4-P12
43-01036	SAL-12-FSH5-P12
43-01036E	SAL-12-FSH5-P12
43-01037	SAL-12-FSH8-P12
43-01037E	SAL-12-FSH8-P12
43-01052	SAL-12-FSH5.1-0,5

PCN Product Change Notification



PCN-Nr.: 100226_1_MBÖ

Datum: 10/02/2026

43-01055	SAL-12-FSH5.1-P5,5
43-01056	SAL-12-FSH5.1-P12
43-01125	SAL-12B-FSH4-P5,5
43-01125E	SAL-12B-FSH4-P5,5
43-01417	SAL-12B-FSH4-P5,5/A1000
43-01472	SAL-12B-FSH4-P5,5/A1000
43-01126	SAL-12B-FSH4-P12
43-01126E	SAL-12B-FSH4-P12
43-01513	SAL-12B-FSH4-P12/A1000
43-01130	SAL-HT-12-FSH5.1-0,5
43-01131	SAL-HT-12-FSH4-0,5
43-01132	SAL-HT-12-FSH5-0,5
43-01238	SAL-12B-FSH5-P5,5
43-01247	SAL-12-FSH5.54-0,3/A0070
43-01263	SAL-12B-FSH5-P12
43-01293	SAL-12-FSH4-1
43-01307	SAL-12B-FSH4.3-0,5
43-01328	SAL-12-FSH8-P5,5/A1000
43-01344	SAL-12-FSH12-0,5
43-01368	SAL-DN-12-FSH5.3-0,5
43-01372	SAL-12-FSH4-0,15/A1020
43-01421	SAL-12-FSH4-0,15/A0172
43-01421E	SAL-12-FSH4-0,15/A0172
43-01428	SAL-12-FSH8-0,2/A1000
43-01444	SAL-DN-12-FSH5.3-0,5/GJ/A0181
43-01449	SAL-12-FSH5.42-DS-SS9-0,075/A0182
43-01451	SAL-12-FSH5.1-DS-SK9-0,075/K1/A0158
43-01545	SAL-DN-12-FSH5.3-0,5/GC
43-01547	SAL-DN-12-FSH5.3-1/GC/A0223
43-01549	SAL-12-FSH12-0,5/A0235
43-01578	SAL-12-FSH8-0,33/A0260
43-01645	SAL-DN-12-FSH5.3-0,5/GJ
43-01647	SAL-DN-12-FSH5.3-2/GJ
43-01651	SAL-12B-FSH4.1-0,5/G4
43-01652	SAL-12B-FSH4.1-1/G4
43-01657	SAL-12B-FSH4.1-0,5/G5
43-01658	SAL-12B-FSH4.1-1/G5
43-01659	SAL-12B-FSH4.1-2/G5
43-01691	SAL-12-FSH4-FKP4-WD
43-01691E	SAL-12-FSH4-FKP4-WD
43-01692	SAL-12-FSH5-FKP5-WD
43-01692E	SAL-12-FSH5-FKP5-WD
43-01693	SAL-12B-FSH4-FKP4-WD

PCN Product Change Notification



PCN-Nr.: 100226_1_MBÖ

Datum: 10/02/2026

43-01693E	SAL-12B-FSH4-FKP4-WD
43-01804	SAL-12-FSH4-0,5/A0380
43-01833	SAL-12-FSH5-0,5/A0380
43-01834	SAL-12-FSH8-0,5/A0380
43-01900	SAL-12-FSH8-0,2
43-01903	SAL-12-FSH8-FKP8-WD
43-01940	SAL-12S-FSH8-0,6/G2
43-02001	SAL-12-FSH4-P5,5/A0541
43-02021	SAL-12-FSH12-1,5
43-02169	SAL-12D-FSH4.2-0,5/G6
43-02208	SAL-12-FSH12-0,2/A0487
43-02268	SAL-12B-FSH4.1-RK4.1-1/G4
43-02297	SAL-12-FSH4-L
43-02297E	SAL-12-FSH4-L
43-02298	SAL-12-FSH5.1-L
43-02298E	SAL-12-FSH5.1-L
43-02299	SAL-12B-FSH4-L
43-02306	SAL-12S-FSH5.1-0,5/G2
43-02307	SAL-12S-FSH5.1-0,5/G3
43-02308	SAL-12S-FSH4-0,5/G2
43-02309	SAL-12S-FSH4-0,5/G3
43-02316E	SAL-HT-12-FSH4-P5,5
43-02317	SAL-HT-12-FSH5-P5,5
43-02317E	SAL-HT-12-FSH5-P5,5
43-02321	SAL-HT-12-FSH5-P12
43-02348	SAL-CN-12-FSH4.41-0,5
43-02349	SAL-12S-FSH4-1/G2
43-02350	SAL-12S-FSH4-2/G2
43-02351	SAL-12S-FSH4-1/G3
43-02352	SAL-12S-FSH4-2/G3
43-02353	SAL-12S-FSH5.1-1/G2
43-02354	SAL-12S-FSH5.1-2/G2
43-02355	SAL-12S-FSH5.1-1/G3
43-02356	SAL-12S-FSH5.1-2/G3
43-02360	SAL-12-FSH4-0,35/05/BF
43-02430	SAL-12B-FSH4.1-1/G5/SG
43-02627	SAL-12-FSH8-1,5
43-02635	SAL-12-FSH8-JST8.87-0,09/A0895
43-02637	SAL-12-FSH8-0,5/034
43-02667	SAL-12-FSH5-1,5
43-02768	SAL-12-FSH5-0,2
43-02841	SAL-12-FSH4-P5,5/WM
43-02842	SAL-12-FSH5-P5,5/WM

PCN Product Change Notification



PCN-Nr.: 100226_1_MBÖ

Datum: 10/02/2026

43-02843	SAL-12-FSH8-P5,5/WM
43-02844	SAL-12-FSH4-P12/WM
43-02845	SAL-12-FSH5-P12/WM
43-02846	SAL-12-FSH8-P12/WM
43-02862	SAL-12B-FSH4-P12/WM
43-02863	SAL-12B-FSH4-P12/WM
43-03001	SAL-12-FSH4-L/WM
43-03002	SAL-12B-FSH4-L/WM
43-03134	SAL-12-FSH4-1/075
43-03186	SAL-12-FSH4-3/075
43-03206	SAL-12-FSH8-0,1/HG
43-03261	SAL-12-FSH12-FKD12-WD/TK
43-03408	SAL-12S-FSH4-5/G3/HG
43-03486	SAL-12D-FSH4.2-0,5
43-03502	SAL-12-FSH8-0,05
43-03614	SAL-45S-RS8.31-12S-FSH8.23-0,15/GAJ
43-03621	SAL-HT-12-FSH4.049-0,34/034/A1000
43-03662	SAL-HT-12-FSH4.049-0,34/034/A6206
43-03683	SAL-12-FSH8-0,8/034
43-03715	SAL-12-FSH4-FKP4-WD/BF
43-03727	SAL-12-FSH5.070-0,5/A1008
43-03753	SAL-12S-FSH5.1-1/G2/034/HG/A1183
43-03754	SAL-12-FSH5.070-0,1/A1008
43-03824	SAL-12-FSH5.3-RKWK5.3-0,5/GC/A1070
43-03998	SAL-12-FSH12-FKD12-WD
43-04284	SAL-12-FSH5.1-P5,5/A6448
43-04302	SAL-12-FSH12-P5,5
43-04303	SAL-12-FSH12-P12
43-04320	SAL-12-FSH4-JST4-0,1/Axxxx
43-04322	SAL-12-FSH5-JST5-0,1/Axxxx
43-04400	SAL-12-FSH4-P5,5/A1102
43-04401	SAL-12-FSH4-P12/A1102
43-04402	SAL-12-FSH5-P5,5/A1102
43-04403	SAL-12-FSH5-P12/A1102
43-04406	SAL-12B-FSH4-P5,5/A1102
43-04407	SAL-12B-FSH4-P12/A1102
43-04410	SAL-12D-FSH4-P5,5/A1102
43-04411	SAL-12D-FSH4-P12/A1102
43-05338	SAL-12-FSH8.x-JST7-0,130/A6xxx
43-05358	SAL-12-FSH5-P5,5/A6588
43-05364	SAL-12-FSH4.019-RKW4.019-7,3/K1/075/A6xxx
43-05387	SAL-12-FSH5.1-0,7/034
43-05389	SAL-12-FSH5-SK6-0,7/034/Axxxx

PCN Product Change Notification



PCN-Nr.: 100226_1_MBÖ

Datum: 10/02/2026

43-05649	SAL-12-FSH12-0,6/025/BF
43-05705	SAL-12-FSH4-8-RK4-0,6/K1/T/BF
43-05706	SAL-12-FSH4-8-RK4-0,8/K1/T/BF
43-05707	SAL-12-FSH4-8-RK4-1/K1/T/BF
43-05709	SAL-12-FSH4-8-RK4-0,7/K1/T/BF
43-05712	SAL-12-FSH4-5/K1/T/BF
43-05713	SAL-12-FSH4-10/K1/T/BF
43-05714	SAL-12-FSH4-1/K1/T/BF
43-05719	SAL-12S-FSH5.1-0,5/G2/034/T/BF
43-05724	SAL-12-FSH4-8-RK4-0,5/K1/T/BF
34-500169	Konfektion 3 x M12 + 1x M8
43-01033F	SAL-12-FSH5-P5,5/A5500
34-506400	Kabelkonfektion 2x M12 Flansch + JST-ZHR5/A6553
43-01003	SAL-12-FKH4-0,5
43-01499	SAL-12-FKH4-0,5/A1000
43-01004	SAL-12-FKH5-0,5
43-01500	SAL-12-FKH5-0,5/A1000
43-01004F	SAL-12-FKH5-0,5/A5500
43-01005	SAL-12-FKH8-0,5
43-01501	SAL-12-FKH8-0,5/A1000
43-01026	SAL-12-FKH4-P5,5
43-01026E	SAL-12-FKH4-P5,5
43-01508	SAL-12-FKH4-P5,5/A1000
43-01027	SAL-12-FKH5-P5,5
43-01416	SAL-12-FKH5-P5,5/A1000
43-01027.02	SAL-12-FKH5-P5,5
43-01027E	SAL-12-FKH5-P5,5
43-01027F	SAL-12-FKH5-P5,5/A5500
43-01028	SAL-12-FKH8-P5,5
43-01028E	SAL-12-FKH8-P5,5
43-01509	SAL-12-FKH8-P5,5/A1000
43-01028F	SAL-12-FKH8-P5,5/A5500
43-01029	SAL-12-FKH4-P12
43-01029E	SAL-12-FKH4-P12
43-01030	SAL-12-FKH5-P12
43-01030E	SAL-12-FKH5-P12
43-01031	SAL-12-FKH8-P12
43-01048	SAL-12-FKH5.1-0,5
43-01118	SAL-12D-FKH4-P12
43-01118E	SAL-12D-FKH4-P12
43-01121	SAL-HT-12-FKH4-0,5
43-01122	SAL-HT-12-FKH5-0,5
43-01123	SAL-12B-FKH4-P5,5

PCN Product Change Notification



PCN-Nr.: 100226_1_MBÖ

Datum: 10/02/2026

43-01123E	SAL-12B-FKH4-P5,5
43-01471	SAL-12B-FKH4-P5,5/A1000
43-01124	SAL-12B-FKH4-P12
43-01124E	SAL-12B-FKH4-P12
43-01512	SAL-12B-FKH4-P12/A1000
43-01129	SAL-HT-12-FKH5.1-0,5
43-01157	SAL-12D-FKH4-P5,5
43-01157E	SAL-12D-FKH4-P5,5
43-01270	SAL-12D-FKH4-P5,5/A0078
43-01157F	SAL-12D-FKH4-P5,5/A5500
43-01194	SAL-12-FKH8-0,2
43-01234	SAL-12D-FKH4-P12
43-01237	SAL-12B-FKH5-P5,5
43-01262	SAL-12B-FKH5-P12
43-01291	SAL-12-FKH4-1
43-01295	SAL-HT-12-FKH5-P12
43-01304	SAL-12-FKH3.1-0,09
43-01309	SAL-12-FKH4-0,03
43-01327	SAL-12-FKH5-1
43-01343	SAL-12-FKH12-0,5
43-01400	SAL-12-FKH5-0,31/A1020
43-01404	SAL-12-FKH8-DS-SK9-0,075/K1/A0
43-01419	SAL-12-FKH8-DS-SS9-0,075/K1/A0
43-01420	SAL-12-FKH8-DS-SS9.2-0,075/K1/A0158
43-01431	SAL-12-FKH3.41-0,3
43-01446	SAL-12D-FKH4.2-0,5/G6/A0181
43-01447	SAL-12-FKH4.56-DS-SK9-0,075/A0182
43-01448	SAL-12-FKH4-DS-SS9-0,075/A0182
43-01450	SAL-12-FKH5.42-DS-SS9-0,075/K1
43-01452	SAL-12D-FKH4.2-0,5/G6/T/BF
43-01453	SAL-12D-FKH4.2-1/G6/T/BF
43-01454	SAL-12D-FKH4.2-2/G6/T/BF
43-01455	SAL-12D-FKH4.2-5/G6/T/BF
43-01456	SAL-12D-FKH4.2-10/G6/T/BF
43-01458	SAL-12-FKH12.3-DS-SS15-0,075/K1/A0158
43-01467	SAL-HT-12-FKH4.x-BS/...
43-01474	SAL-12-FKH6.x-0,15/K1/A0199
43-01526	SAL-12B-FKH4.3-1
43-01559	SAL-12-FKH4-1,5
43-01642	SAL-DN-12-FKH5.3-0,5/GJ
43-01643	SAL-DN-12-FKH5.3-1/GJ
43-01644	SAL-DN-12-FKH5.3-2/GJ
43-01648	SAL-12B-FKH4.1-0,5/G4

PCN Product Change Notification



PCN-Nr.: 100226_1_MBÖ

Datum: 10/02/2026

43-01649	SAL-12B-FKH4.1-1/G4
43-01650	SAL-12B-FKH4.1-2/G4
43-01654	SAL-12B-FKH4.1-0,5/G5
43-01655	SAL-12B-FKH4.1-1/G5
43-01656	SAL-12B-FKH4.1-2/G5
43-01660	SAL-12D-FKH4.2-0,5/G6
43-01661	SAL-12D-FKH4.2-1/G6
43-01662	SAL-12D-FKH4.2-2/G6
43-01666	SAL-DN-12-FKH5.3-RS5.3-0,5/GJ
43-01667	SAL-DN-12-FKH5.3-RS5.3-1/GJ
43-01668	SAL-DN-12-FKH5.3-RS5.3-2/GJ
43-01669	SAL-12B-FKH4.1-RS4.1-0,5/G4
43-01670	SAL-12B-FKH4.1-RS4.1-1/G4
43-01672	SAL-12D-FKH4.2-RS4.2-0,5/G6
43-01673	SAL-12D-FKH4.2-RS4.2-1/G6
43-01674	SAL-12D-FKH4.2-RS4.2-2/G6
43-01675	SAL-DS-SKSW9-12B-FKH4.1-0,5/G4
43-01676	SAL-DS-SKSW9-12B-FKH4.1-1/G4
43-01678	SAL-45S-SS4.003-12D-FKH4.2-0,5/G6
43-01679	SAL-45S-SS4.003-12D-FKH4.2-1/G6
43-01680	SAL-45S-SS4.003-12D-FKH4.2-2/G6
43-01713	SAL-12-FKH12-0,15
43-01718	SAL-12-FKH5-1,9
43-01769	SAL-12B-FKH4.3-0,5
43-01789	SAL-12-FKH4-2
43-01790	SAL-12-FKH8-2
43-01822	SAL-12D-FKH4.2-30/G6/T/BF
43-01831	SAL-12-FKH5-P5,5/A0410
43-01831E	SAL-12-FKH5-P5,5/A0410
43-01838	SAL-12S-FKH5.1-1/G2
43-01858	SAL-45S-SS4.003-12D-FKH4.2-1/G6/HM
43-01889	SAL-45S-SS4.003-12D-FKH4.2-2/G6/HM
43-01924	SAL-12-FKH4-3,5/034
43-01932	SAL-12-FKH5-1/05
43-01935	SAL-12D-FKH4.2-0,7/G6
43-01939	SAL-12S-FKH8-0,6/G2
43-01947	SAL-12-FKH12-0,2
43-01960	SAL-12D-FKH4.77-0,22/014/A0471
43-01963	SAL-12D-FKH4.27-0,7/GD/014
43-01966	SAL-12-FKH5.1-0,2
43-01975	SAL-12D-FKH4-FKP4-WD
43-01975E	SAL-12D-FKH4-FKP4-WD
43-01988	SAL-12-FKH4-2/034

PCN Product Change Notification



PCN-Nr.: 100226_1_MBÖ

Datum: 10/02/2026

43-02000	SAL-12-FKH4-P5,5/A0541
43-02015	SAL-12B-FKH5/A0560
43-02133	SAL-12-FKH4-0,37
43-02140	SAL-12-FKH12-0,2/A0487
43-02167	SAL-12D-FKH4.2-0,5/G..
43-02168	SAL-45-SS8.31-12S-FKH8.23-0,17
43-02187	SAL-45-SSW4-12D-FKH4.2-2/G6
43-02246	SAL-DN-12-FKH5.3-0,5
43-02248	SAL-12-FKH4-0,8
43-02271	SAL-45-SS8.33-12D-FKH4.23-0,5/GD
43-02312	SAL-12S-FKH4-0,5/G2
43-02313	SAL-12S-FKH4-0,5/G3
43-02314	SAL-12S-FKH5.1-0,5/G2
43-02315	SAL-12S-FKH5.1-0,5/G3
43-02365	SAL-12S-FKH4-1/G2
43-02366	SAL-12S-FKH4-2/G2
43-02367	SAL-12S-FKH4-1/G3
43-02368	SAL-12S-FKH4-2/G3
43-02369	SAL-12S-FKH5.1-1/G2
43-02370	SAL-12S-FKH5.1-2/G2
43-02371	SAL-12S-FKH5.1-1/G3
43-02372	SAL-12S-FKH5.1-2/G3
43-02373	SAL-45S-SS8.31-12S-FKH8.23-0,5/GAJ
43-02374	SAL-45S-SS8.31-12S-FKH8.23-1/GAJ
43-02375	SAL-45S-SS8.31-12S-FKH8.23-2/GAJ
43-02377	SAL-45S-SS8.31-12S-FKH8.23-1/GAF
43-02378	SAL-45S-SS8.31-12S-FKH8.23-2/GAF
43-02379	SAL-12S-FKH8.23-0,5/GAJ
43-02380	SAL-12S-FKH8.23-1/GAJ
43-02381	SAL-12S-FKH8.23-2/GAJ
43-02382	SAL-12S-FKH8.23-0,5/GAF
43-02383	SAL-12S-FKH8.23-1/GAF
43-02384	SAL-12S-FKH8.23-2/GAF
43-02385	SAL-12S-FKH8.23-RS8.23-0,5/GAJ
43-02386	SAL-12S-FKH8.23-RS8.23-1/GAJ
43-02387	SAL-12S-FKH8.23-RS8.23-2/GAJ
43-02388	SAL-12S-FKH8.23-RS8.23-0,5/GAF
43-02389	SAL-12S-FKH8.23-RS8.23-1/GAF
43-02390	SAL-12S-FKH8.23-RS8.23-2/GAF
43-02400	SAL-45-SS8.66-12D-FKH4.23-0,23
43-02421	SAL-12-FKH4-0,7
43-02429	SAL-12B-FKH4.1-1/G5/SG
43-02456	SAL-12-FKH4-0,25

PCN Product Change Notification



PCN-Nr.: 100226_1_MBÖ

Datum: 10/02/2026

43-02489	SAL-12-FKH4-2/2,5/034/HT
43-02501	SAL-12D-FKH4.2-8S-RS4.78-0,2/GL/014/T/BF
43-02503	SAL-CN-12S-FKH4.41-5/GU
43-02524	SAL-45S-SS8.49-12D-FKH4.79-0,3/GM/014/HG
43-02526	SAL-12D-FKH4.2-RS4.2-3/G6/T/BF
43-02534	SAL-12-FKH5-0,5/014
43-02538	SAL-12-FKH5-0,75/034/A1050
43-02548	SAL-12-FKH5-0,6/034/A0825
43-02549	SAL-12-FKH5.92-0,75/034/A0825
43-02577	SAL-DN-12-FKH5.3-RS5.3-5/GJ
43-02628	SAL-12D-FKH4.2-RS4.2-5/G6
43-02670	SAL-45S-RS8.31-12S-FKH8.23-0,5/GAJ
43-02671	SAL-45S-RS8.31-12S-FKH8.23-1/GAJ
43-02672	SAL-45S-RS8.31-12S-FKH8.23-2/GAJ
43-02673	SAL-45S-RS8.31-12S-FKH8.23-0,5/GAF
43-02674	SAL-45S-RS8.31-12S-FKH8.23-1/GAF
43-02675	SAL-45S-RS8.31-12S-FKH8.23-2/GAF
43-02706	SAL-12D-FKH4.2-RS4.2-30/G6
43-02710	SAL-12-FKH5-0,7
43-02738	SAL-12S-FKH8-1,5/G2
43-02761	SAL-45S-SS4.003-12D-FKH4.2-1,5/G6/HG
43-02835	SAL-12-FKH4-P5,5/WM
43-02836	SAL-12-FKH5-P5,5/WM
43-02837	SAL-12-FKH8-P5,5/WM
43-02838	SAL-12-FKH4-P12/WM
43-02839	SAL-12-FKH5-P12/WM
43-02840	SAL-12-FKH8-P12/WM
43-02859	SAL-12D-FKH4-P12/WM
43-02860	SAL-12B-FKH4-P5,5/WM
43-02861	SAL-12B-FKH4-P12/WM
43-02864	SAL-12D-FKH4-P5,5/WM
43-03050	SAL-45S-RS8.36-12D-FKH4.2-0,3/GL/014/T/BF
43-03062	SAL-12D-FKH4-FKP4-WD/TK
43-03073	SAL-12D-FKH4.2-RSW4.2-0,5/G6/T/BF/A1090
43-03100	SAL-12S-FKH5.3-1/GC
43-03102	SAL-45S-RS8.33-12D-FKH4.27-0,5/GD/014/TK
43-03104	SAL-45S-RS8.33-12D-FKH4.27-2/GD/014/TK
43-03105	SAL-45S-RS8.33-12D-FKH4.27-5/GD/014/TK
43-03106	SAL-45S-RS8.33-12D-FKH4.27-5,5/GD/014/TK
43-03108	SAL-45S-RS8.33-12D-FKH4.27-7,5/GD/014/TK
43-03109	SAL-45S-RS8.33-12D-FKH4.27-10/GD/014/TK
43-03113	SAL-45S-RS4.003-12D-FKH4.2-0,2/G6/TK
43-03114	SAL-45S-RS4.003-12D-FKH4.2-0,5/G6/TK

PCN Product Change Notification



PCN-Nr.: 100226_1_MBÖ

Datum: 10/02/2026

43-03115	SAL-45S-RS4.003-12D-FKH4.2-1/G6/TK
43-03119	SAL-45S-RS4.003-12D-FKH4.2-5/G6/TK
43-03121	SAL-45S-RS4.003-12D-FKH4.2-10/G6/TK
43-03130	SAL-45S-RS8.66-12D-FKH4.66-0,3/GD/014/HG/A3300
43-03133	SAL-12-FKH4-1/075
43-03162	SAL-45S-RS8.66-12D-FKH4.66-3/GD/014/HG/A3300
43-03164	SAL-12-FKH5-0,4
43-03183	SAL-12-FKH5-P5,5/HG
43-03185	SAL-12-FKH4-3/075
43-03213	SAL-12D-FKH4.2-RS4.2-10,5/G6/HG/A6053
43-03229	SAL-45S-RS8.66-12D-FKH4.66-0,5/GD/014/HG/A3300
43-03297	SAL-12D-FKH4.2-RS4.2-10/G6/T/BF
43-03307	SAL-12-FKH4-1/05/BF
43-03308	SAL-12S-FKH5.1-1/GR/BF
43-03309	SAL-12S-FKH4-1/GF/05/BF
43-03347	SAL-45S-SS4.00312D-FKH4.2-0,3/G6
43-03348	SAL-12S-FKH4-3/G2
43-03380	SAL-12-FKH12-P5,5
43-03380E	SAL-12-FKH12-P5,5
43-03391	SAL-12D-FKH4.2-RS4.2-2/G6/T/BF
43-03396	SAL-12S-FKH4-4/G2
43-03410	SAL-45S-SS4.003-12D-FKH4.2-0,86/G6
43-03411	SAL-45S-SS4.003-12D-FKH4.2-0,43/G6
43-03414	SAL-12D-FKH4.2-RS4.2-5/G6/T/BF
43-03462	SAL-12-FKH4-0,5/05/A6104
43-03496	SAL-12D-FKH4.2-1/G6/TK
43-03517	SAL-12D-FKH4.2-8S-RS4.78-0,5/GL/014/T/BF
43-03518	SAL-12D-FKH4.2-8S-RS4.78-5/GL/014/T/BF
43-03534	SAL-12D-FKH4.2-RS4.2-11/G6/T/BF
43-03558	SAL-45S-RS8.36-12D-FKH4.2-5/GL/014/T/BF
43-03563	SAL-12D-FKH4.27-0,5/GBH/014/A6147
43-03586	SAL-12-FKH12-1
43-03593	SAL-45S-RS8.36-12D-FKH4.2-2/GL/014/T/BF
43-03599	SAL-12D-FKH4.2-FKH4.2-0,15/GL/014/BF
43-03605	SAL-12D-FKH4.24-0,155/GBH/014/A6176
43-03608	SAL-45S-RS8.66-12D-FKH4.66-0,4/GD/014/HG/A3300
43-03609	SAL-12D-FKH4.2-RS4.2-0,5/GV/HG
43-03610	SAL-12D-FKH4.2-RS4.2-1/GV/HG
43-03615	SAL-45S-RS8.31-12S-FKH8.23-0,15/GAJ
43-03618	SAL-12-FKH12-P12/WM
43-03620	SAL-HT-12-FKH4.87-0,34/034/A1000

PCN Product Change Notification



PCN-Nr.: 100226_1_MBÖ

Datum: 10/02/2026

43-03635	SAL-12D-FKH4.2-8S-RS4.78-20/GL/014/T/BF
43-03655	SAL-45S-RS8.36-12D-FKH4.2-3,5/GL/014/T/BF
43-03663	SAL-HT-12-FKH4.87-0,34/034/A6206
43-03676	SAL-12D-FKH4.2-8S-RS4.78-3/GL/014/T/BF
43-03682	SAL-45S-SS4.003-12D-FKH4.2-1,5/G6
43-03691	SAL-12D-FKH4.2-RSW4.2-0,45/G6/A6223
43-03693	SAL-12D-FKH4.2-RS4.2-0,5/G6/A6223
43-03697	SAL-12D-FKH4.2-RS4.2-4,5/G6
43-03698	SAL-12D-FKH4.24-0,235/GBH/014/A6176
43-03701	SAL-45S-RS8.36-12D-FKH4.2-1/GL/014/T/BF
43-03710	SAL-45S-RS4.003-12D-FKH4.2-0,5/G6/TK/A6229
43-03711	SAL-12D-FKH4.2-RS4.2-2,5/G6/TK/A6229
43-03713	SAL-45S-RS4.003-12D-FKH4.2-1/G6/TK/A6229
43-03722	SAL-12D-FKH4.2-8S-RS4.78-1,5/GL/014/T/BF
43-03752	SAL-12S-FKH5.1-1/G2/034/HG/A1183
43-03756	SAL-45S-RS8.36-12D-FKH4.2-1,5/GL/014/T/BF
43-03757	SAL-HT-12-FKH4-1
43-03760	SAL-45S-RS4.003-12D-FKH4.2-0,3/G6/TK/A6229
43-03801	SAL-12D-FKH4.2-8S-RS4.78-0,2/GQ/014/T/BF
43-03819	SAL-12D-FKH4.2-8S-RS4.78-1/GQ/014/T/BF
43-03823	SAL-12D-FKH4.2-RS4.2-1/G6/T/BF
43-03840	SAL-45S-RS4.003-12D-FKH4.2-2/G6/TK/A6229
43-03850	SAL-12D-FKH4.2-8S-RS4.78-0,3/GQ/014/T/BF
43-03851	SAL-12D-FKH4.2-8S-RS4.78-3/GQ/014/T/BF
43-03868	SAL-12D-FKH4.2-8S-RS4.78-7/GL/014/T/BF
43-03869	SAL-12D-FKH4.2-8S-RS4.78-10/GL/014/T/BF
43-03897	SAL-12D-FKH4.2-RS4.2-1,05/G6/HG/A6053
43-03898	SAL-12D-FKH4.2-RS4.2-1,1/G6/HG/A6053
43-03905	SAL-12D-FKH4.2-RS4.2-7/G6/T/BF
43-03978	SAL-12-FKH8-0,75
43-03979	SAL-12-FKH5-0,75
43-04023	SAL-45S-RS8.36-12D-FKH4.2-0,7/GM/014/T/BF
43-04136	SAL-12D-RFKH4.2-RS4.2-0,6/G6
43-04137	SAL-12D-RFKH4.2-RS4.2-1,5/G6
43-04138	SAL-12D-RFKH4.2-RS4.2-3/G6
43-04139	SAL-45S-RS4.003-12D-RFKH4.2-0,3/G6
43-04140	SAL-45S-RS4.003-12D-RFKH4.2-0,6/G6
43-04141	SAL-45S-RS4.003-12D-RFKH4.2-1,5/G6
43-04142	SAL-45S-RS4.003-12D-RFKH4.2-3/G6
43-04237	SAL-45S-RS4.003-12D-FKH4.2-0,5/G6
43-04238	SAL-45S-RS4.003-12D-FKH4.2-1/G6
43-04239	SAL-45S-RS4.003-12D-FKH4.2-2/G6
43-04301	SAL-12-FKH12-P12

PCN Product Change Notification



PCN-Nr.: 100226_1_MBÖ

Datum: 10/02/2026

43-04301E	SAL-12-FKH12-P12
43-04321	SAL-12-FKH4-JST4-0,5/Axxxx
43-04332	SAL-12-FKH5.1-SK5-0,32/034/Axxxx
43-04351	SAL-12-FKH5.1-2/K1/A1055
43-04352	SAL-12-FKH8-2/K1/A1055
43-04396	SAL-12-FKH4-P5,5/A1102
43-04397	SAL-12-FKH4-P12/A1102
43-04398	SAL-12-FKH5-P5,5/A1102
43-04399	SAL-12-FKH5-P12/A1102
43-04404	SAL-12B-FKH4-P5,5/A1102
43-04405	SAL-12B-FKH4-P12/A1102
43-04408	SAL-12D-FKH4-P5,5/A1102
43-04409	SAL-12D-FKH4-P12/A1102
43-04432	SAL-45S-RS4.003-12D-FKH4.2-1,1/G6/TK
43-04504	SAL-12D-RFKH4.2-1/G6/A6xxx
43-05317	SAL-12D-RFKH4.2-RS4.161-4/GCJ
43-05318	SAL-12S-FKH8.139-RS8.141-4/GCJ/034
43-05337	SAL-12-FKH8-JST8-0,130/A6xxx
43-05354	SAL-12-FKH4-0,22/Axxxx
43-05357	SAL-12-FKH5-P5,5/A6588
43-05374E	SAL-12D-FKH4-P6/WE
43-05502	SAL-12-FKH12.11-0,6/K1/025/T/BF
43-05611	SAL-12-FKH12-0,6/025/BF
43-05621	SAL-12D-FKH4.x-0,485/0,465/GCR/034/075/A6617
43-05623	SAL-12D-FKH4-L
43-05631	SAL-12D-FKH4.172-0,525/KT/034/075/A6617
43-05657	SAL-12D-FKH4.2-8S-RS4.78-0,8/GL/014/T/BF
43-05661	SAL-12D-FKH4.097-0,8/BS/014/A1125
43-05673	SAL-12-FKH5.1-L
43-05685	SAL-45S-RS8.31-12S-RFKH8.x-0,6/GBB/014/TK
43-05702	SAL-12D-FKH4.2-8S-RS4.78-0,9/GL/014/T/BF
43-05708	SAL-12-FKH5-5
43-05718	SAL-12D-FKH4.2-RSW4.2-0,6/G6/T/BF/A1090
43-05725	SAL-45S-RS4.003-12D-FKH4.2-1,1/GQ/T/BF
43-05726	SAL-45S-RS4.003-12D-FKH4.2-1,3/GQ/T/BF
43-05727	SAL-12-FKH5.1-RS5.1-0,8/K1/T/BF
43-05728	SAL-12-FKH5.1-RS5.1-1,6/K1/T/BF
43-05729	SAL-12-FKH8-RS8-0,8/K1/T/BF
43-13118	SAL-HT-12-FKH4.x-BS/A...
43-16347	SAL-12D-FKH4.2-RS4.2-0,85/G6
43-17524	SAL-45S-SS4.003-12D-FKH4.2-3/G6
43-21592	SAL-45S-RS8.66-12D-FKH4.66-0,9/GD/014/HG/A3300

PCN Product Change Notification



PCN-Nr.: 100226_1_MBÖ

Datum: 10/02/2026

43-21593	SAL-45S-RS8.66-12D-FKH4.66-1/GD/014/HG/A3300
43-22604	SAL-12D-FKH4.2-B12D-RSW4.2-0,45/G6/A6223
43-26218	SAL-12D-FKH4.163-SK4.096-1,3/BS/014/A6585
43-26596	SAL-45S-RS8.33-12D-FKH4.27-0,3/GD/014/TK
43-04211	Flanschgehäuse Stecker M16x1,5
43-04211E	Flanschgehäuse Stecker M16x1,5
43-04211F	Flanschgehäuse Stecker M16x1,5/A5500

With best regards,

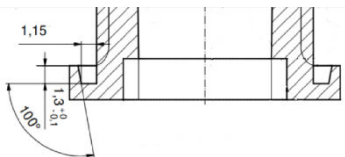
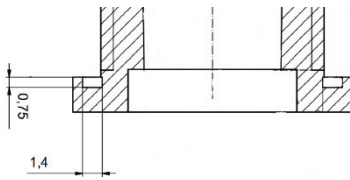
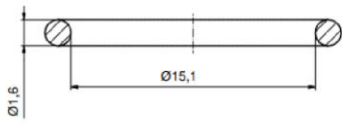
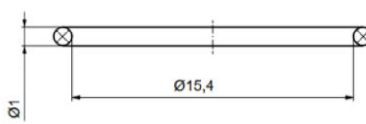
CONEC Elektronische Bauelemente GmbH

PCN Product Change Notification



PCN-Nr.: 100226_1_MBÖ

Datum: 10/02/2026

Product:	According to the list below
Type of change:	Major
Description of change:	<p>To improve long-term stability under harsh environmental conditions, the sealing ring (O-ring) and the corresponding sealing nut have been modified. If the specified front panel cutout is observed, the IP protection class according to the data sheet is guaranteed.</p> <p>Before change: After change:</p> <p>Dimension Flange:</p>   <p>Dimension O Ring:</p>  
Reason of change:	Optimization of robustness
Implementation date:	April 2025

PCN revision history		
Date of revision	No. of revision	Reason
12.03.2026	1	Addition of illustrations.

34-506400	Kabelkonfektion 2x M12 Flansch + JST-ZHR5/A6553
43-01003	SAL-12-FKH4-0,5
43-01499	SAL-12-FKH4-0,5/A1000
43-01004	SAL-12-FKH5-0,5
43-01500	SAL-12-FKH5-0,5/A1000
43-01004F	SAL-12-FKH5-0,5/A5500
43-01005	SAL-12-FKH8-0,5
43-01501	SAL-12-FKH8-0,5/A1000
43-01026	SAL-12-FKH4-P5,5

PCN Product Change Notification



PCN-Nr.: 100226_1_MBÖ

Datum: 10/02/2026

43-01026E	SAL-12-FKH4-P5,5
43-01508	SAL-12-FKH4-P5,5/A1000
43-01027	SAL-12-FKH5-P5,5
43-01416	SAL-12-FKH5-P5,5/A1000
43-01027.02	SAL-12-FKH5-P5,5
43-	
01027_MUSTER_T1	SAL-12-FKH5-P5,5
43-01027E	SAL-12-FKH5-P5,5
43-01027F	SAL-12-FKH5-P5,5/A5500
43-01028	SAL-12-FKH8-P5,5
43-01028E	SAL-12-FKH8-P5,5
43-01509	SAL-12-FKH8-P5,5/A1000
43-01028F	SAL-12-FKH8-P5,5/A5500
43-01029	SAL-12-FKH4-P12
43-01029E	SAL-12-FKH4-P12
43-01030	SAL-12-FKH5-P12
43-01030E	SAL-12-FKH5-P12
43-01031	SAL-12-FKH8-P12
43-01048	SAL-12-FKH5.1-0,5
43-01118	SAL-12D-FKH4-P12
43-01118E	SAL-12D-FKH4-P12
43-01121	SAL-HT-12-FKH4-0,5
43-01122	SAL-HT-12-FKH5-0,5
43-01123	SAL-12B-FKH4-P5,5
43-01123E	SAL-12B-FKH4-P5,5
43-01471	SAL-12B-FKH4-P5,5/A1000
43-01124	SAL-12B-FKH4-P12
43-01124E	SAL-12B-FKH4-P12
43-01512	SAL-12B-FKH4-P12/A1000
43-01129	SAL-HT-12-FKH5.1-0,5
43-01157	SAL-12D-FKH4-P5,5
43-01157E	SAL-12D-FKH4-P5,5
43-01270	SAL-12D-FKH4-P5,5/A1184
43-01157F	SAL-12D-FKH4-P5,5/A5500
43-01194	SAL-12-FKH8-0,2
43-01234	SAL-12D-FKH4-P12
43-01237	SAL-12B-FKH5-P5,5
43-01262	SAL-12B-FKH5-P12
43-01291	SAL-12-FKH4-1
43-01295	SAL-HT-12-FKH5-P12
43-01304	SAL-12-FKH3.1-0,09
43-01309	SAL-12-FKH4-0,03
43-01327	SAL-12-FKH5-1
43-01343	SAL-12-FKH12-0,5
43-01400	SAL-12-FKH5-0,31/A1020
43-01404	SAL-12-FKH8-DS-SK9-0,075/K1/A0
43-01419	SAL-12-FKH8-DS-SS9-0,075/K1/A0
43-01420	SAL-12-FKH8-DS-SS9.2-0,075/K1/A0158
43-01431	SAL-12-FKH3.41-0,3
43-01446	SAL-12D-FKH4.2-0,5/G6/A0181
43-01447	SAL-12-FKH4.56-DS-SK9-0,075/A0182

PCN Product Change Notification



PCN-Nr.: 100226_1_MBÖ

Datum: 10/02/2026

43-01448	SAL-12-FKH4-DS-SS9-0,075/A0182
43-01450	SAL-12-FKH5.42-DS-SS9-0,075/K1
43-01452	SAL-12D-FKH4.2-0,5/G6/T/BF
43-01453	SAL-12D-FKH4.2-1/G6/T/BF
43-01454	SAL-12D-FKH4.2-2/G6/T/BF
43-01455	SAL-12D-FKH4.2-5/G6/T/BF
43-01456	SAL-12D-FKH4.2-10/G6/T/BF
43-01458	SAL-12-FKH12.3-DS-SS15-0,075/K1/A0158
43-01467	SAL-HT-12-FKH4.x-BS/...
43-01474	SAL-12-FKH6.x-0,15/K1/A0199
43-01526	SAL-12B-FKH4.3-1
43-01559	SAL-12-FKH4-1,5
43-01642	SAL-DN-12-FKH5.3-0,5/GJ
43-01643	SAL-DN-12-FKH5.3-1/GJ
43-01644	SAL-DN-12-FKH5.3-2/GJ
43-01648	SAL-12B-FKH4.1-0,5/G4
43-01649	SAL-12B-FKH4.1-1/G4
43-01650	SAL-12B-FKH4.1-2/G4
43-01654	SAL-12B-FKH4.1-0,5/G5
43-01655	SAL-12B-FKH4.1-1/G5
43-01656	SAL-12B-FKH4.1-2/G5
43-01660	SAL-12D-FKH4.2-0,5/G6
43-01661	SAL-12D-FKH4.2-1/G6
43-01662	SAL-12D-FKH4.2-2/G6
43-01666	SAL-DN-12-FKH5.3-RS5.3-0,5/GJ
43-01667	SAL-DN-12-FKH5.3-RS5.3-1/GJ
43-01668	SAL-DN-12-FKH5.3-RS5.3-2/GJ
43-01669	SAL-12B-FKH4.1-RS4.1-0,5/G4
43-01670	SAL-12B-FKH4.1-RS4.1-1/G4
43-01672	SAL-12D-FKH4.2-RS4.2-0,5/G6
43-01673	SAL-12D-FKH4.2-RS4.2-1/G6
43-01674	SAL-12D-FKH4.2-RS4.2-2/G6
43-01675	SAL-DS-SKSW9-12B-FKH4.1-0,5/G4
43-01676	SAL-DS-SKSW9-12B-FKH4.1-1/G4
43-01678	SAL-45S-SS4.003-12D-FKH4.2-0,5/G6
43-01679	SAL-45S-SS4.003-12D-FKH4.2-1/G6
43-01680	SAL-45S-SS4.003-12D-FKH4.2-2/G6
43-01713	SAL-12-FKH12-0,15
43-01718	SAL-12-FKH5-1,9
43-01769	SAL-12B-FKH4.3-0,5
43-01789	SAL-12-FKH4-2
43-01790	SAL-12-FKH8-2
43-01822	SAL-12D-FKH4.2-30/G6/T/BF
43-01831	SAL-12-FKH5-P5,5/A1183
43-01838	SAL-12S-FKH5.1-1/G2
43-01858	SAL-45S-SS4.003-12D-FKH4.2-1/G6/HM
43-01889	SAL-45S-SS4.003-12D-FKH4.2-2/G6/HM
43-01924	SAL-12-FKH4-3,5/034
43-01932	SAL-12-FKH5-1/05
43-01935	SAL-12D-FKH4.2-0,7/G6
43-01939	SAL-12S-FKH8-0,6/G2

PCN Product Change Notification



PCN-Nr.: 100226_1_MBÖ

Datum: 10/02/2026

43-01947	SAL-12-FKH12-0,2
43-01960	SAL-12D-FKH4.77-0,22/014/A0471
43-01963	SAL-12D-FKH4.27-0,7/GD/014
43-01966	SAL-12-FKH5.1-0,2
43-01975	SAL-12D-FKH4-FKP4-WD
43-01975E	SAL-12D-FKH4-FKP4-WD
43-01988	SAL-12-FKH4-2/034
43-02000	SAL-12-FKH4-P5,5/A0541
43-02015	SAL-12B-FKH5/A0560
43-02133	SAL-12-FKH4-0,37
43-02140	SAL-12-FKH12-0,2/A0487
43-02167	SAL-12D-FKH4.2-0,5/G..
43-02168	SAL-45-SS8.31-12S-FKH8.23-0,17
43-02187	SAL-45-SSW4-12D-FKH4.2-2/G6
43-02246	SAL-DN-12-FKH5.3-0,5
43-02248	SAL-12-FKH4-0,8
43-02271	SAL-45-SS8.33-12D-FKH4.23-0,5/GD
43-02312	SAL-12S-FKH4-0,5/G2
43-02313	SAL-12S-FKH4-0,5/G3
43-02314	SAL-12S-FKH5.1-0,5/G2
43-02315	SAL-12S-FKH5.1-0,5/G3
43-02365	SAL-12S-FKH4-1/G2
43-02366	SAL-12S-FKH4-2/G2
43-02367	SAL-12S-FKH4-1/G3
43-02368	SAL-12S-FKH4-2/G3
43-02369	SAL-12S-FKH5.1-1/G2
43-02370	SAL-12S-FKH5.1-2/G2
43-02371	SAL-12S-FKH5.1-1/G3
43-02372	SAL-12S-FKH5.1-2/G3
43-02373	SAL-45S-SS8.31-12S-FKH8.23-0,5/GAJ
43-02374	SAL-45S-SS8.31-12S-FKH8.23-1/GAJ
43-02375	SAL-45S-SS8.31-12S-FKH8.23-2/GAJ
43-02377	SAL-45S-SS8.31-12S-FKH8.23-1/GAF
43-02378	SAL-45S-SS8.31-12S-FKH8.23-2/GAF
43-02379	SAL-12S-FKH8.23-0,5/GAJ
43-02380	SAL-12S-FKH8.23-1/GAJ
43-02381	SAL-12S-FKH8.23-2/GAJ
43-02382	SAL-12S-FKH8.23-0,5/GAF
43-02383	SAL-12S-FKH8.23-1/GAF
43-02384	SAL-12S-FKH8.23-2/GAF
43-02385	SAL-12S-FKH8.23-RS8.23-0,5/GAJ
43-02386	SAL-12S-FKH8.23-RS8.23-1/GAJ
43-02387	SAL-12S-FKH8.23-RS8.23-2/GAJ
43-02388	SAL-12S-FKH8.23-RS8.23-0,5/GAF
43-02389	SAL-12S-FKH8.23-RS8.23-1/GAF
43-02390	SAL-12S-FKH8.23-RS8.23-2/GAF
43-02400	SAL-45-SS8.66-12D-FKH4.23-0,23
43-02421	SAL-12-FKH4-0,7
43-02429	SAL-12B-FKH4.1-1/G5/SG
43-02456	SAL-12-FKH4-0,25
43-02489	SAL-12-FKH4-2/2,5/034/HT

PCN Product Change Notification



PCN-Nr.: 100226_1_MBÖ

Datum: 10/02/2026

43-02501	SAL-12D-FKH4.2-8S-RS4.78-0,2/GL/014/T/BF
43-02503	SAL-CN-12S-FKH4.41-5/GU
43-02524	SAL-45S-SS8.49-12D-FKH4.79-0,3/GM/014/HG
43-02526	SAL-12D-FKH4.2-RS4.2-3/G6/T/BF
43-02534	SAL-12-FKH5-0,5/014
43-02538	SAL-12-FKH5-0,75/034/A1050
43-02548	SAL-12-FKH5-0,6/034/A0825
43-02549	SAL-12-FKH5.92-0,75/034/A0825
43-02577	SAL-DN-12-FKH5.3-RS5.3-5/GJ
43-02628	SAL-12D-FKH4.2-RS4.2-5/G6
43-02670	SAL-45S-RS8.31-12S-FKH8.23-0,5/GAJ
43-02671	SAL-45S-RS8.31-12S-FKH8.23-1/GAJ
43-02672	SAL-45S-RS8.31-12S-FKH8.23-2/GAJ
43-02673	SAL-45S-RS8.31-12S-FKH8.23-0,5/GAF
43-02674	SAL-45S-RS8.31-12S-FKH8.23-1/GAF
43-02675	SAL-45S-RS8.31-12S-FKH8.23-2/GAF
43-02706	SAL-12D-FKH4.2-RS4.2-30/G6
43-02710	SAL-12-FKH5-0,7
43-02738	SAL-12S-FKH8-1,5/G2
43-02761	SAL-45S-SS4.003-12D-FKH4.2-1,5/G6/HG
43-02835	SAL-12-FKH4-P5,5/WM
43-02836	SAL-12-FKH5-P5,5/WM
43-02837	SAL-12-FKH8-P5,5/WM
43-02838	SAL-12-FKH4-P12/WM
43-02839	SAL-12-FKH5-P12/WM
43-02840	SAL-12-FKH8-P12/WM
43-02859	SAL-12D-FKH4-P12/WM
43-02860	SAL-12B-FKH4-P5,5/WM
43-02861	SAL-12B-FKH4-P12/WM
43-02864	SAL-12D-FKH4-P5,5/WM
43-03050	SAL-45S-RS8.36-12D-FKH4.2-0,3/GL/014/T/BF
43-03062	SAL-12D-FKH4-FKP4-WD/TK
43-03073	SAL-12D-FKH4.2-RSW4.2-0,5/G6/T/BF/A1090
43-03100	SAL-12S-FKH5.3-1/GC
43-03102	SAL-45S-RS8.33-12D-FKH4.27-0,5/GD/014/TK
43-03104	SAL-45S-RS8.33-12D-FKH4.27-2/GD/014/TK
43-03105	SAL-45S-RS8.33-12D-FKH4.27-5/GD/014/TK
43-03106	SAL-45S-RS8.33-12D-FKH4.27-5,5/GD/014/TK
43-03108	SAL-45S-RS8.33-12D-FKH4.27-7,5/GD/014/TK
43-03109	SAL-45S-RS8.33-12D-FKH4.27-10/GD/014/TK
43-03113	SAL-45S-RS4.003-12D-FKH4.2-0,2/G6/TK
43-03114	SAL-45S-RS4.003-12D-FKH4.2-0,5/G6/TK
43-03115	SAL-45S-RS4.003-12D-FKH4.2-1/G6/TK
43-03119	SAL-45S-RS4.003-12D-FKH4.2-5/G6/TK
43-03121	SAL-45S-RS4.003-12D-FKH4.2-10/G6/TK
	SAL-45S-RS8.66-12D-FKH4.66-
43-03130	0,3/GD/014/HG/A3300
43-03133	SAL-12-FKH4-1/075
43-03162	SAL-45S-RS8.66-12D-FKH4.66-3/GD/014/HG/A3300
43-03164	SAL-12-FKH5-0,4
43-03183	SAL-12-FKH5-P5,5/HG

PCN Product Change Notification



PCN-Nr.: 100226_1_MBÖ

Datum: 10/02/2026

43-03185	SAL-12-FKH4-3/075
43-03213	SAL-12D-FKH4.2-RS4.2-10,5/G6/HG/A6053
43-03229	SAL-45S-RS8.66-12D-FKH4.66-0,5/GD/014/HG/A3300
43-03297	SAL-12D-FKH4.2-RS4.2-10/G6/T/BF
43-03307	SAL-12-FKH4-1/05/BF
43-03308	SAL-12S-FKH5.1-1/GR/BF
43-03309	SAL-12S-FKH4-1/GF/05/BF
43-03347	SAL-45S-SS4.00312D-FKH4.2-0,3/G6
43-03348	SAL-12S-FKH4-3/G2
43-03380	SAL-12-FKH12-P5,5
43-03380E	SAL-12-FKH12-P5,5
43-03391	SAL-12D-FKH4.2-RS4.2-2/G6/T/BF
43-03396	SAL-12S-FKH4-4/G2
43-03410	SAL-45S-SS4.003-12D-FKH4.2-0,86/G6
43-03411	SAL-45S-SS4.003-12D-FKH4.2-0,43/G6
43-03414	SAL-12D-FKH4.2-RS4.2-5/G6/T/BF
43-03462	SAL-12-FKH4-0,5/05/A6104
43-03496	SAL-12D-FKH4.2-1/G6/TK
43-03517	SAL-12D-FKH4.2-8S-RS4.78-0,5/GL/014/T/BF
43-03518	SAL-12D-FKH4.2-8S-RS4.78-5/GL/014/T/BF
43-03534	SAL-12D-FKH4.2-RS4.2-11/G6/T/BF
43-03558	SAL-45S-RS8.36-12D-FKH4.2-5/GL/014/T/BF
43-03563	SAL-12D-FKH4.27-0,5/GBH/014/A6147
43-03586	SAL-12-FKH12-1
43-03593	SAL-45S-RS8.36-12D-FKH4.2-2/GL/014/T/BF
43-03599	SAL-12D-FKH4.2-FKH4.2-0,15/GL/014/BF
43-03605	SAL-12D-FKH4.24-0,155/GBH/014/A6176
43-03608	SAL-45S-RS8.66-12D-FKH4.66-0,4/GD/014/HG/A3300
43-03609	SAL-12D-FKH4.2-RS4.2-0,5/GV/HG
43-03610	SAL-12D-FKH4.2-RS4.2-1/GV/HG
43-03615	SAL-45S-RS8.31-12S-FKH8.23-0,15/GAJ
43-03615_MUSTER	SAL-45S-RS8.31-12S-FKH8.23-0,3/GAF
43-03618	SAL-12-FKH12-P12/WM
43-03620	SAL-HT-12-FKH4.87-0,34/034/A1000
43-03635	SAL-12D-FKH4.2-8S-RS4.78-20/GL/014/T/BF
43-03655	SAL-45S-RS8.36-12D-FKH4.2-3,5/GL/014/T/BF
43-03663	SAL-HT-12-FKH4.87-0,34/034/A6206
43-03676	SAL-12D-FKH4.2-8S-RS4.78-3/GL/014/T/BF
43-03682	SAL-45S-SS4.003-12D-FKH4.2-1,5/G6
43-03691	SAL-12D-FKH4.2-RSW4.2-0,45/G6/A6223
43-03693	SAL-12D-FKH4.2-RS4.2-0,5/G6/A6223
43-03697	SAL-12D-FKH4.2-RS4.2-4,5/G6
43-03698	SAL-12D-FKH4.24-0,235/GBH/014/A6176
43-03701	SAL-45S-RS8.36-12D-FKH4.2-1/GL/014/T/BF
43-03710	SAL-45S-RS4.003-12D-FKH4.2-0,5/G6/TK/A6229
43-03711	SAL-12D-FKH4.2-RS4.2-2,5/G6/TK/A6229
43-03713	SAL-45S-RS4.003-12D-FKH4.2-1/G6/TK/A6229
43-03722	SAL-12D-FKH4.2-8S-RS4.78-1,5/GL/014/T/BF
43-03752	SAL-12S-FKH5.1-1/G2/034/HG/A1183

PCN Product Change Notification



PCN-Nr.: 100226_1_MBÖ

Datum: 10/02/2026

43-03756	SAL-45S-RS8.36-12D-FKH4.2-1,5/GL/014/T/BF
43-03757	SAL-HT-12-FKH4-1
43-03760	SAL-45S-RS4.003-12D-FKH4.2-0,3/G6/TK/A6229
43-03801	SAL-12D-FKH4.2-8S-RS4.78-0,2/GQ/014/T/BF
43-03819	SAL-12D-FKH4.2-8S-RS4.78-1/GQ/014/T/BF
43-03823	SAL-12D-FKH4.2-RS4.2-1/G6/T/BF
43-03840	SAL-45S-RS4.003-12D-FKH4.2-2/G6/TK/A6229
43-03850	SAL-12D-FKH4.2-8S-RS4.78-0,3/GQ/014/T/BF
43-03851	SAL-12D-FKH4.2-8S-RS4.78-3/GQ/014/T/BF
43-03868	SAL-12D-FKH4.2-8S-RS4.78-7/GL/014/T/BF
43-03869	SAL-12D-FKH4.2-8S-RS4.78-10/GL/014/T/BF
43-03897	SAL-12D-FKH4.2-RS4.2-1,05/G6/HG/A6053
43-03898	SAL-12D-FKH4.2-RS4.2-1,1/G6/HG/A6053
43-03905	SAL-12D-FKH4.2-RS4.2-7/G6/T/BF
43-03978	SAL-12-FKH8-0,75
43-03979	SAL-12-FKH5-0,75
43-04023	SAL-45S-RS8.36-12D-FKH4.2-0,7/GM/014/T/BF
43-04136	SAL-12D-RFKH4.2-RS4.2-0,6/G6
43-04137	SAL-12D-RFKH4.2-RS4.2-1,5/G6
43-04138	SAL-12D-RFKH4.2-RS4.2-3/G6
43-04139	SAL-45S-RS4.003-12D-RFKH4.2-0,3/G6
43-04140	SAL-45S-RS4.003-12D-RFKH4.2-0,6/G6
43-04141	SAL-45S-RS4.003-12D-RFKH4.2-1,5/G6
43-04142	SAL-45S-RS4.003-12D-RFKH4.2-3/G6
43-04237	SAL-45S-RS4.003-12D-FKH4.2-0,5/G6
43-04238	SAL-45S-RS4.003-12D-FKH4.2-1/G6
43-04239	SAL-45S-RS4.003-12D-FKH4.2-2/G6
43-04301	SAL-12-FKH12-P12
43-04301E	SAL-12-FKH12-P12
43-04321	SAL-12-FKH4-JST4-0,5/Axxxx
43-04332	SAL-12-FKH5.1-SK5-0,32/034/Axxxx
43-04351	SAL-12-FKH5.1-2/K1/A1055
43-04352	SAL-12-FKH8-2/K1/A1055
43-04396	SAL-12-FKH4-P5,5/A1102
43-04397	SAL-12-FKH4-P12/A1102
43-04398	SAL-12-FKH5-P5,5/A1102
43-04399	SAL-12-FKH5-P12/A1102
43-04404	SAL-12B-FKH4-P5,5/A1102
43-04405	SAL-12B-FKH4-P12/A1102
43-04408	SAL-12D-FKH4-P5,5/A1102
43-04409	SAL-12D-FKH4-P12/A1102
43-04432	SAL-45S-RS4.003-12D-FKH4.2-1,1/G6/TK
43-04504	SAL-12D-RFKH4.2-1/G6/A6xxx
43-05317	SAL-12D-RFKH4.2-RS4.161-4/GCJ
43-05318	SAL-12S-FKH8.139-RS8.141-4/GCJ/034
43-05337	SAL-12-FKH8-JST8-0,130/A6xxx
43-05354	SAL-12-FKH4-0,22/Axxxx
43-05357	SAL-12-FKH5-P5,5/A6588
43-05374E	SAL-12D-FKH4-P6/WE
43-05502	SAL-12-FKH12.11-0,6/K1/025/T/BF
43-05611	SAL-12-FKH12-0,6/025/BF

PCN Product Change Notification



PCN-Nr.: 100226_1_MBÖ

Datum: 10/02/2026

43-05621	SAL-12D-FKH4.x-0,485/0,465/GCR/034/075/A6617
43-05623	SAL-12D-FKH4-L
43-05631	SAL-12D-FKH4.172-0,525/KT/034/075/A6617
43-05657	SAL-12D-FKH4.2-8S-RS4.78-0,8/GL/014/T/BF
43-05661	SAL-12D-FKH4.097-0,8/BS/014/A1125
43-05673	SAL-12-FKH5.1-L
43-05685	SAL-45S-RS8.31-12S-RFKH8.x-0,6/GBB/014/TK
43-05702	SAL-12D-FKH4.2-8S-RS4.78-0,9/GL/014/T/BF
43-05708	SAL-12-FKH5-5
43-05718	SAL-12D-FKH4.2-RSW4.2-0,6/G6/T/BF/A1090
43-05725	SAL-45S-RS4.003-12D-FKH4.2-1,1/GQ/T/BF
43-05726	SAL-45S-RS4.003-12D-FKH4.2-1,3/GQ/T/BF
43-05727	SAL-12-FKH5.1-RS5.1-0,8/K1/T/BF
43-05728	SAL-12-FKH5.1-RS5.1-1,6/K1/T/BF
43-05729	SAL-12-FKH8-RS8-0,8/K1/T/BF
43-13118	SAL-HT-12-FKH4.x-BS/A...
43-16347	SAL-12D-FKH4.2-RS4.2-0,85/G6
43-17524	SAL-45S-SS4.003-12D-FKH4.2-3/G6 SAL-45S-RS8.66-12D-FKH4.66- 0,9/GD/014/HG/A3300
43-21592	SAL-45S-RS8.66-12D-FKH4.66-1/GD/014/HG/A3300
43-21593	SAL-12D-FKH4.2-B12D-RSW4.2-0,45/G6/A6223
43-22604	SAL-12D-FKH4.163-SK4.096-1,3/BS/014/A6585
43-26218	SAL-12D-FKH4.163-SK4.096-1,3/BS/014/A6585
43-26596	SAL-45S-RS8.33-12D-FKH4.27-0,3/GD/014/TK

With best regards,

CONEC Elektronische Bauelemente GmbH