



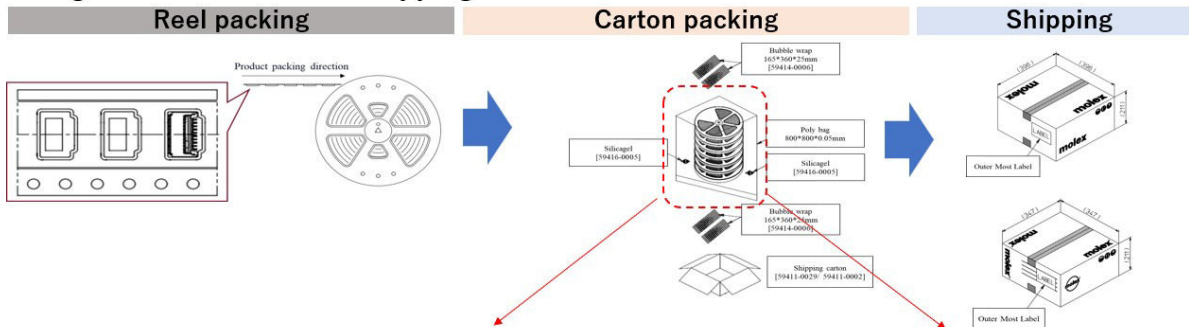
# Product Change Notification

<b>Date Issued :</b>	April 16, 2026	<b>PCN Number :</b>	517930
<b>Reason for Change :</b>	Packaging Method/Quantity Changing		
<b>Description of Change :</b>	This is announcement to change numbers of reel in the shipping carton box, that leads the total connector also will be changed in deliverables unit.		
<b>Reason for Short Notice :</b>	Special Request		
<b>Assessment of Change :</b>	Drop Test		
<b>Planned Implementation Date :</b>	August 16, 2026		
<b>Customer Sample Availability Date:</b>	February 26, 2026		
<b>Last date to request Samples by Customer :</b>	April 24, 2026		

Please note if Samples are not requested as per Customer Samples Request date, it may take additional 4-6 weeks to arrange Samples.

Before Picture

## Change number of reels in shipping carton box



Molex part number	Current			After change		
	FGs/ reel	Reels/ box	Total FG/ box (pcs)	FGs/ reel	Reels/ box	Total FG/ box (pcs)
503480-04**	3,000	7	21,000	3,000	8	24,000
503480-05**						
503480-06**						
503480-08**						
503480-10**						
503480-12**	4,500	4	18,000	4,500	3	13,500
503480-36**						
503480-38**						
503480-40**						

After Picture

- Overview :  
After transferring 503480 series production to Molex Vietnam, we optimize the use of available packaging materials. Therefore, the reel quantity per carton will be adjusted to match the existing carton sizes in Vietnam.
- Part number impacted :  
*See the attached list.*
- Qualification report and samples :  
Available as per execution plan

RELEASED

You may address inquiries regarding this PCN by clicking on the below link  
[mailto:pcn\\_coordinator@molex.com?subject=PCN\\_Notification:517930](mailto:pcn_coordinator@molex.com?subject=PCN_Notification:517930)  
or contact your Local Sales Engineer.

Note: While responding, please retain " PCN Notification : **PCN Notification: 517930** " in the e-mail Subject line for faster response.

**Molex, LLC**  
2222 Wellington Court  
Lisle, IL 60532  
TEL (800) 786-6539  
[www.molex.com](http://www.molex.com)

PCN #	Customer #	Customer Name	Search Term	Molex Part #
517930	103679	TTI, Inc.	TTI INC	5034800600
517930	103679	TTI, Inc.	TTI INC	5034800800
517930	103679	TTI, Inc.	TTI INC	5034801000
517930	103679	TTI, Inc.	TTI INC	5034801200
517930	130020	TTI Elect Asia PTE Ltd c/o HK Ltd	TTI	5034800800
517930	130020	TTI Elect Asia PTE Ltd c/o HK Ltd	TTI	5034801000
517930	130020	TTI Elect Asia PTE Ltd c/o HK Ltd	TTI	5034801200
517930	152294	Shanghai TTI Electronics Co., LTD.	TTI	5034801000
517930	160956	TTI Electroncis Asia Pte Ltd.	TTI/HUATUN	5034801000

<b>Customer Material #</b>	<b>City</b>	<b>State</b>	<b>Country</b>	<b>Sales Engineer Name</b>
MLX503480-0600	Maisach-Gernlinden	09	DE	Carlos ARINO
MLX503480-0800	Maisach-Gernlinden	09	DE	Carlos ARINO
MLX503480-1000	Maisach-Gernlinden	09	DE	Carlos ARINO
MLX503480-1200	Maisach-Gernlinden	09	DE	Carlos ARINO
MOL503480-0800	Tsuen Wan, N.T.	NT	HK	Eva Zhang
MOL503480-1000	Tsuen Wan, N.T.	NT	HK	Eva Zhang
MOL503480-1200	Tsuen Wan, N.T.	NT	HK	Eva Zhang
MOL503480-1000	Shanghai	020	CN	Eva Zhang
MOL503480-1000	Kwun Tong,	KLN	HK	Micle Dai

Sales Engineer email	Opportunity #	Opportunity Item Lost Indicator
CARLOS.ARINOMORENO@MOLEX.COM		
CARLOS.ARINOMORENO@MOLEX.COM		
CARLOS.ARINOMORENO@MOLEX.COM		
CARLOS.ARINOMORENO@MOLEX.COM		
EVA.ZHANG@MOLEX.COM		
EVA.ZHANG@MOLEX.COM		
EVA.ZHANG@MOLEX.COM		
EVA.ZHANG@MOLEX.COM		
MICLE.DAI@MOLEX.COM		

PCN No	Part List
517930	0165880001
517930	0165880002
517930	0165880003
517930	0165880005
517930	0165880011
517930	0165880012
517930	5034800600
517930	5034800800
517930	5034801000
517930	5034801200
517930	5034803600
517930	5034804000

**molex** *creating connections for life*

# Change packing reel/ box Item 503480

```
se, message: 'Could not register user, username or email might
se, message: 'Could not register user, Error: ', err )));

grid.SendgridAPIKey);
ailtemplate.html", 'utf8', (err, data) => {
  });
  ss: true, message:"Failed"))
  false, message: 'Failed to read email file: ', err )));

#Title###", "Confirm Account");
#Message###", "Please click the button below to confirm your
#Link###", host.baseUrl + "api/accounts/confirmemail.html"

toLowerCase(),
ic.co.za',
onfirmation',

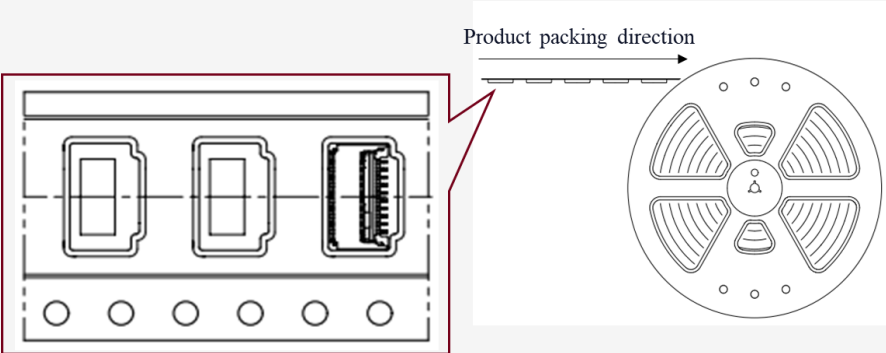
xt/html",
ta.toString()
```

# Background

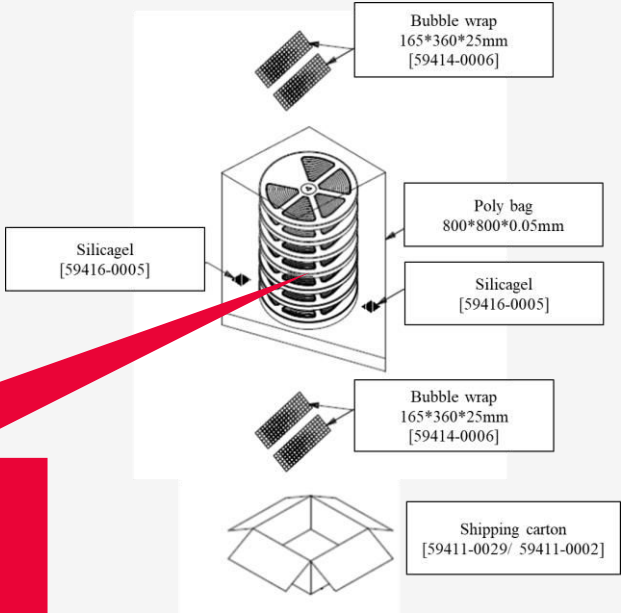
Item 503480 - The product was previously manufactured and packed in Molex Korea according to local carton specifications. After transferring production to Molex Vietnam, we optimize the use of available packaging materials.

Therefore, the reel quantity per carton will be adjusted to match carton sizes in Vietnam.

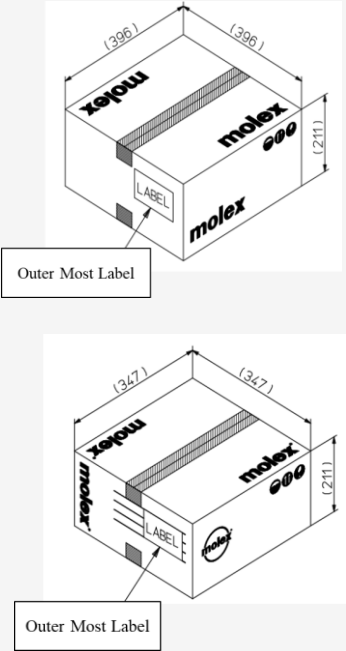
## Reel packing



## Carton packing



## Shipping



Changing point: Change packing reel/box

# Proposed solution

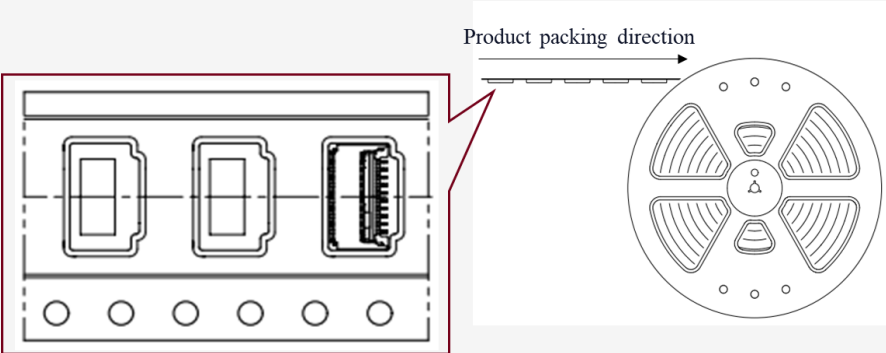
CKT	Part number	TO BE			AS IS		
		FGs/ reel	Reels/ box	Total FG/ box (pcs)	FGs/ reel	Reels/ box	Total FG/ box (pcs)
04	503480-04**	3,000	7	21,000	3,000	8	24,000
05	503480-05**						
06	503480-06**						
08	503480-08**						
10	503480-10**						
12	503480-12**						
14	503480-14**	3,000	6	18,000	3,000	6	18,000
16	503480-16**						
17	503480-17**						
18	503480-18**						
20	503480-20**						
22	503480-22**						
24	503480-24**						
26	503480-26**						
28	503480-28**						
30	503480-30**						
32	503480-32**	3,000	5	15,000	3,000	5	15,000
34	503480-34**						
36	503480-36**	4,500	4	18,000	4,500	3	13,500
38	503480-38**						
40	503480-40**						

# Background

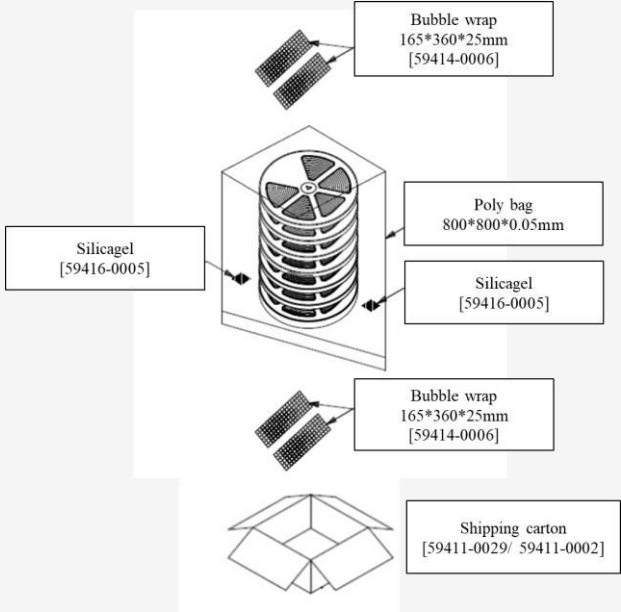
Item 503480 - The product was previously manufactured and packed in Molex Korea according to local carton specifications. After transferring production to Molex Vietnam, we optimize the use of available packaging materials.

Therefore, the reel quantity per carton will be adjusted to match carton sizes in Vietnam.

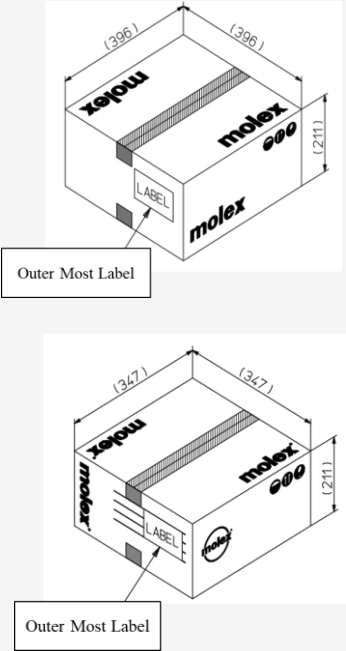
## Reel packing



## Carton packing



## Shipping



# Proposed solution

CKT	Part number	TO BE			AS IS		
		FGs/ reel	Reels/ box	Total FG/ box (pcs)	FGs/ reel	Reels/ box	Total FG/ box (pcs)
04	503480-04**	3,000	7	21,000	3,000	8	24,000
05	503480-05**						
06	503480-06**						
08	503480-08**						
10	503480-10**						
12	503480-12**	4,500	4	18,000	4,500	3	13,500
36	503480-36**						
38	503480-38**						
40	503480-40**						

# Affected FG part number

5034800400
5034800500
5034800600
5034800800
5034801000
5034801200
5034803600
5034803800
5034804000
5034800420
5034800820
5034801020



**Thank You**

**molex**

*creating connections for life*