

**Notice of Product Code Change due to
Change of Country of Origin**

(Factors and Objectives)

Notice of Product Code Change due to Change of Country of Origin

NOTE:

This PCN is intended for use exclusively in EUROPE, Middle East and Africa.

■What's changed

·Power Relay G9KA-1A1B-E



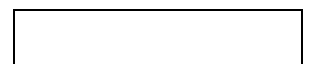
■Product code change contents

Existing Product Description	Existing Product Code	New Product Description	New Product Code
G9KA-1A1B-E DC12 BY OMZ	G9KA5010A	G9KA-1A1B-E DC12	Informed later
G9KA-1A1B-E DC24 BY OMZ	G9KA5011M	G9KA-1A1B-E DC24	Informed later

■Implementation period

·It will be implemented from November 1, 2026.

■Other changes



Before the change

After the change

Change country of origin

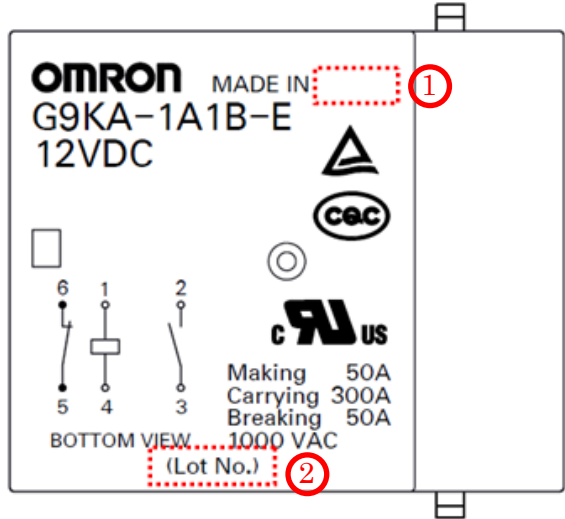
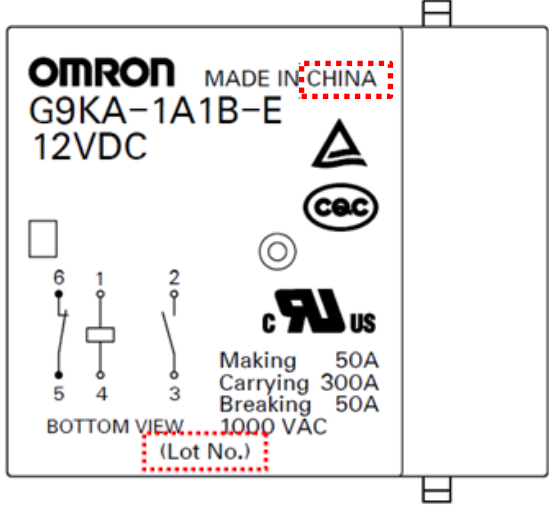
Country of Origin: China

Change country of origin

Country of Origin: Japan

- ① Change the labeling content of the country of origin (case marking)

- ① Change the labeling content of the country of origin (case marking)





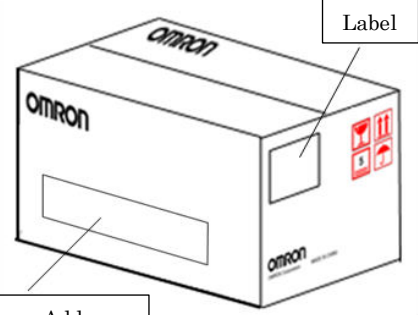
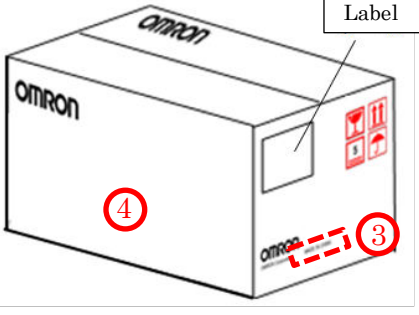
- ② Change the labeling content of the country of origin (case marking)
 * * * * C □ □
 (* * * * : Date of manufacture, Y1 : Production Plant Code)

- ② Change the labeling content of the country of origin (case marking)
 * * * * * Y1 □
 (* * * * * : Date of manufacture, Y1 : Production Plant Code)

- ③ Change the labeling content of the country of origin (labels on individual boxes and outer boxes)
 MADE IN CHINA (Labels on the outer box)

- ③ Change the labeling content of the country of origin (labels on individual boxes and outer boxes)
 MADE IN JAPAN (Labels on the outer box)



Before the change	After the change
<p>(Labels on individual boxes)</p>  <p>Label: TYPE: G9KA-1A1B-E, RELAY VOLTS: 12VDC, LOT No: [blank], QTY: [blank], G9KA6000R, 0002685044, 4 549734 547499, OMRON Corporation, MADE IN CHINA</p>	<p>(Labels on individual boxes)</p>  <p>Label: TYPE: G9KA-1A1B-E, RELAY VOLTS: 12VDC, LOT No: [blank], QTY: [blank], Product Code: 00-001, 4 547648 511953, OMRON Corporation, MADE IN JAPAN, 00000012</p>
<p>④ Change of display content on the outer box (factory address)</p>  <p>⑤ Individual box color change: white</p>	<p>④ Change of display content on the outer box (no factory address)</p>  <p>⑤ Individual box color: brown</p>

Specifications in this product news are as of the issue date and are subject to change without notice. Only main changes in specifications are described in this document. Please be sure to read the relevant catalogs, datasheets, product specifications, instructions, and manuals for precautions and necessary information when using products.

Before change

Old part number	Old OC product code	Old ODPOS code
G9KA-1A1B-E DC12 BY OMZ	G9KA5010A	Informed later
G9KA-1A1B-E DC24 BY OMZ	G9KA5011M	Informed later

|

After change*

New part number	New OC product code	New ODPOS code
G9KA-1A1B-E DC12 BY OMZ	G9KA5010A	Informed later
G9KA-1A1B-E DC24 BY OMZ	G9KA5011M	Informed later

|

*If After the change values are the same, it means the product only had technical or packing change, which does not effect the product codes!

Changes are highlighted with a background colour,