

Product change notification (PCN)

Title / short description	Implement L-Shape design for PT 10 family
Affected article category	Terminal blocks
Change category	Form and appearance
Change number	CBE240071-01
Reason for PCN/PDN Revision	Add a product image for the PT 10-PE L type product. Remove the PT 10-TWIN series products from this PCN.

Purpose/objective of the change

As part of the continuous improvement process, the L-Shape design will be implemented for PT 10 family.

Detailed description of the change

We have two designs for PT series: Chamber and L-Shape. The new molds will always use the newer design L-shape. This change project will apply L-Shaped design to the PT 10 family, including the PE terminal blocks. At the same time, one minor adjustment will be made to the related end cover. The new cover is compatible with existing terminal blocks.

For more details on the changes, please refer to the accompanying comparison pictures.

Functions, parameters, and certifications remain unchanged. The new and old versions are interchangeable.

Identifying characteristics

Increased V/C

Start of Production (SOP)	2026-11-30	Last Time Delivery (LTD)	-
Effective date (EOP)	2026-11-30	End of Service (EOSR)	-
End of Sales (EOS)	-		

Short-term change (< 6 months) or discontinuation (< 12 months), due to:

- | | | |
|---|---|--|
| <input type="checkbox"/> Software / Firmware Bugfix | <input type="checkbox"/> Short-term delivery stop by supplier | <input type="checkbox"/> Short-term recall by supplier |
| <input type="checkbox"/> Force majeure | <input type="checkbox"/> Product improvement with customer benefits | |
| <input type="checkbox"/> Others | | |

Attachments

- CBE240071_Before_After_Comparision.pdf
- Material_list.csv
- PCN-CBE240071-01_EN

Material list

Item no.	Item Type	Hardware old	Firmware new	Item no.	Substitute item Type
3212151	PT 10-PE/SIE	02	03		
3212131	PT 10-PE	07	08		
1647357	PT 10-PE/SEF	00	01		
3212153	PT 10 BU/SIE	01	02		
3212150	PT 10/SIE	01	02		
3212124	PT 10 OG	04	05		
3212123	PT 10 BU	07	08		
3212120	PT 10	08	09		
1647371	PT 10 BU/SEF	00	01		
1647361	PT 10/SEF	00	01		
1322456	PT 10 BN	01	02		
1322453	PT 10 BK	01	02		
1077088	PT 10-FE	03	04		
3212097	D-PT 10/SIE	01	02		
3212058	D-PT 10 OG	00	01		
3212057	D-PT 10	02	03		
1647305	D-PT 10/SEF	00	01		



confidentiality class II

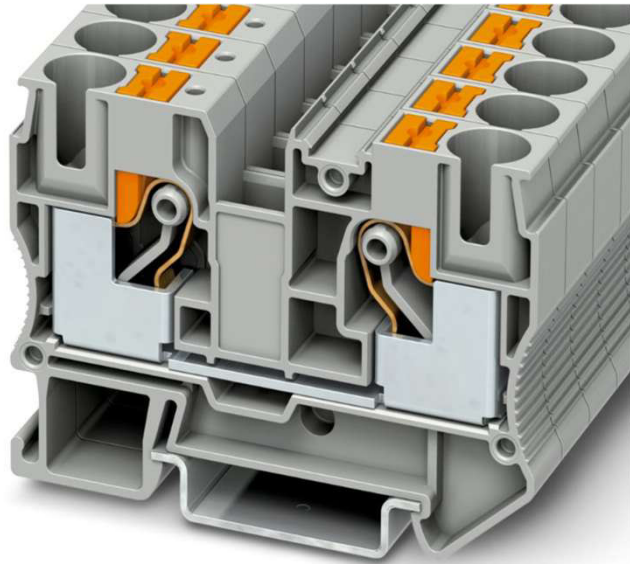
Welcome

CBE240071 Before / After

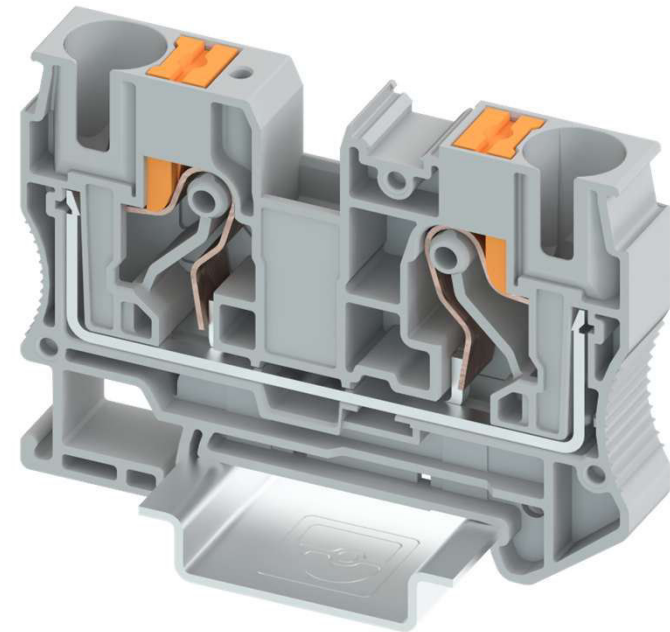


CBE240071

Comparing between Chamber and L-Shape – PT 10



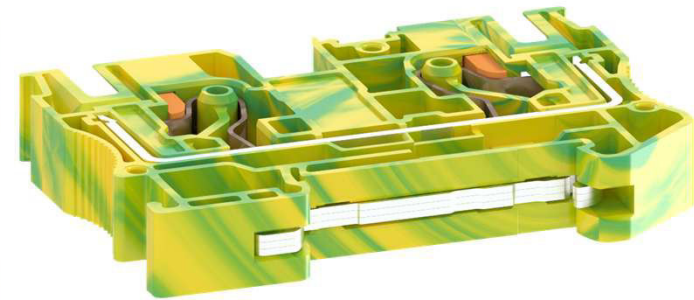
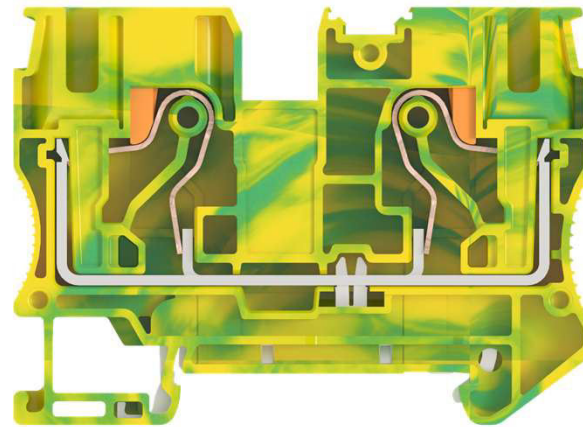
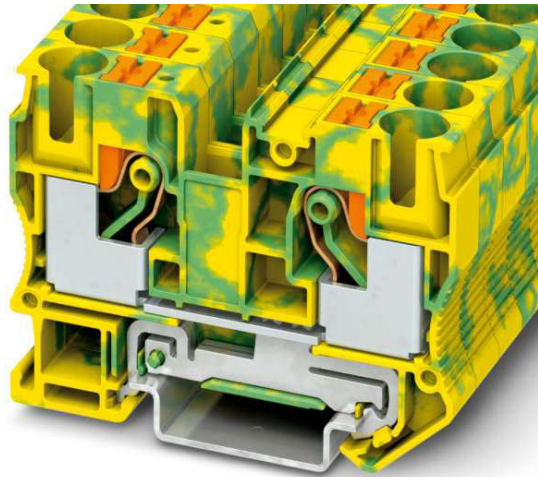
NEW



CBE240071

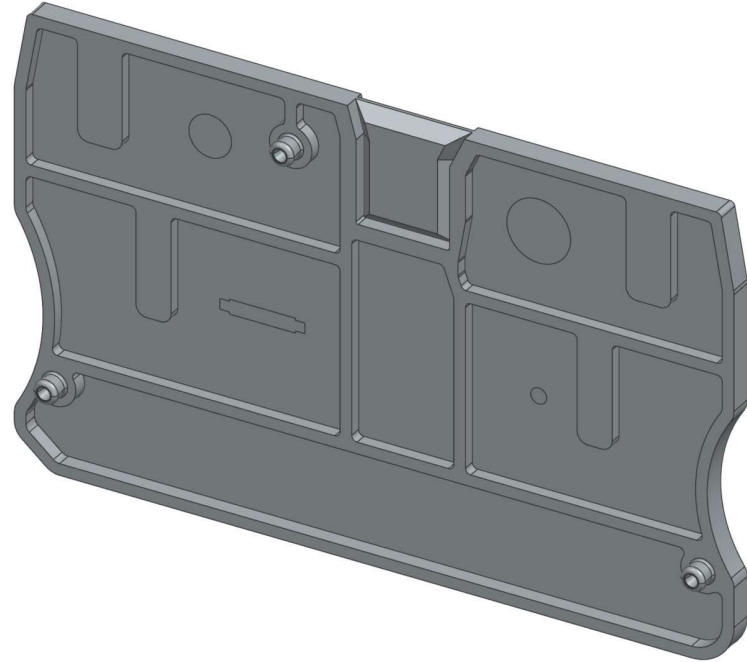
Comparing between Chamber and L-Shape – PT 10-PE

NEW

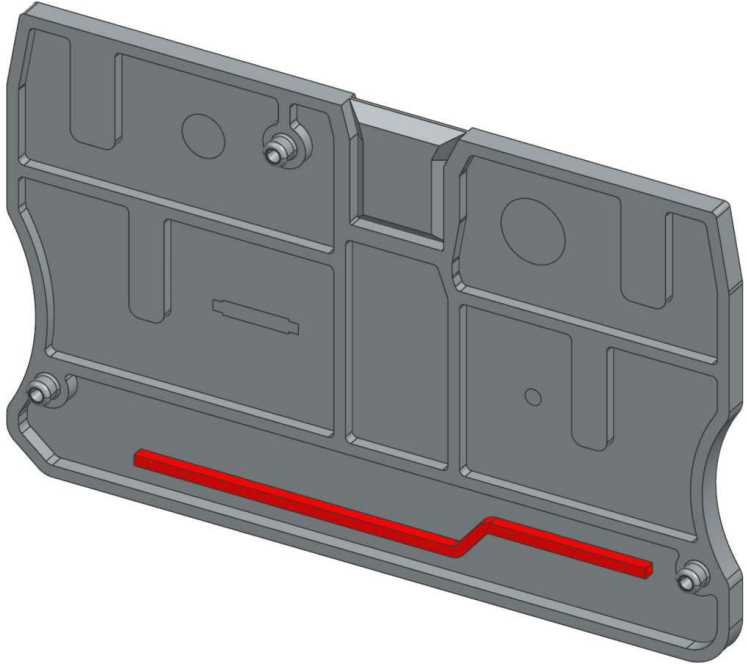


CBE240071

D-PT 10



NEW



Item no.;Type;old;new;Substitute item;Replacement product designation;eCl@ss 13.0;
3212151;PT 10-PE/SIE;02;03;;;27250103;
3212131;PT 10-PE;07;08;;;27250103;
1647357;PT 10-PE/SEF;00;01;;;;
3212153;PT 10 BU/SIE;01;02;;;27250101;
3212150;PT 10/SIE;01;02;;;27250101;
3212124;PT 10 OG;04;05;;;27250101;
3212123;PT 10 BU;07;08;;;27250101;
3212120;PT 10;08;09;;;27250101;
1647371;PT 10 BU/SEF;00;01;;;;
1647361;PT 10/SEF;00;01;;;;
1322456;PT 10 BN;01;02;;;27250101;
1322453;PT 10 BK;01;02;;;27250101;
1077088;PT 10-FE;03;04;;;27250101;
3212097;D-PT 10/SIE;01;02;;;27250301;
3212058;D-PT 10 OG;00;01;;;27250301;
3212057;D-PT 10;02;03;;;27250301;
1647305;D-PT 10/SEF;00;01;;;;

PCN/PDN Number	Customer Number	Company Name	Street	Postcode/Zip Code
CBE240071-01	401641	TTI, INC.	2441 NORTHEAST PKWY	76106
CBE240071-01	401641	TTI, INC.	2441 NORTHEAST PKWY	76106
CBE240071-01	401641	TTI, INC.	2441 NORTHEAST PKWY	76106

City	Phoenix Contact Item-Nr. (changed/discontinued article)
FORT WORTH	3212131
FORT WORTH	3212120
FORT WORTH	3212057

Phoenix Contact Item Designation (changed/discontinued article)	Report Date	Substitute Item
PT 10-PE	05.05.2026	
PT 10	05.05.2026	
D-PT 10	05.05.2026	

Replacement Product Designation

PCN/PDN Number	Customer Number	Company Name	Street	Postcode/Zip Code
CBE240071-01	401641	TTI, INC.	2441 NORTHEAST PKWY	76106

City	Phoenix Contact Item-Nr. (changed/discontinued article)
FORT WORTH	3212120

Phoenix Contact Item Designation (changed/discontinued article)

PT 10

Phoenix Contact Article-Nr. (customer specific)

8191413

Phoenix Contact Article Designation (customer specific)

CANRIG-PUSH-IN-RAIL

Report Date Substitute Item

05.05.2026

Replacement Product Designation