

Product change notification (PCN)

Title / short description	HESI lever fuse holder redesign
Affected article category	Terminal blocks
Change category	Form and appearance
Change number	PBE240196-00
Reason for PCN/PDN Revision	

Purpose/objective of the change

Redesign of the fuse holder lever interior to improve functionality, durability, and overall structural integrity.

Detailed description of the change

We are redesigning the interior of the fuse holder lever for HESI terminal blocks to enhance overall durability, and user handling experience of the fuse type terminal blocks. While the internal structure is being optimized to improve performance and reliability, the external dimensions and functional characteristics of the articles will remain unchanged. This ensures full compatibility with existing installations and maintains consistent operability for all current applications.

Identifying characteristics

V/C

Start of Production (SOP)	2026-10-01	Last Time Delivery (LTD)	-
Effective date (EOP)	2026-10-01	End of Service (EOSR)	-
End of Sales (EOS)	-		

Short-term change (< 6 months) or discontinuation (< 12 months), due to:

- | | | |
|---|---|--|
| <input type="checkbox"/> Software / Firmware Bugfix | <input type="checkbox"/> Short-term delivery stop by supplier | <input type="checkbox"/> Short-term recall by supplier |
| <input type="checkbox"/> Force majeure | <input type="checkbox"/> Product improvement with customer benefits | |
| <input type="checkbox"/> Others | | |

Attachments

- PBE240196.pdf
- Material_list.csv
- PCN-PBE240196-00_EN

Material list

Item no.	Item Type	Hardware old	Firmware new	Item no.	Substitute item Type
1088742	PTV 4-HESI (5X20)	5	6		
1088743	PTV 4-HESILED 24 (5X20)	5	6		
1088744	PTV 4-HESILED 60 (5X20)	5	6		
1088745	PTV 4-HESILA 250 (5X20)	5	6		
3211886	PTTB 4-HESI (5X20)	4	5		
3211895	PTTB 4-HESI-EX (5X20)	6	7		
3211888	PTTB 4-HESILED 24 (5X20)	3	4		
3211897	PTTB 4-HESILED 24-EX (5X20)	8	9		
3211890	PTTB 4-HESILED 60 (5X20)	3	4		
3211892	PTTB 4-HESILED 250 (5X20)	4	5		
3211901	PTTB 4-HESILED 250-EX (5X20)	6	7		
1277638	UT 2,5-HESI-EX (5X20)	1	2		
1434362	UT 2,5-HESILED 24 (5X20)	0	1		
3050293	QTC 2,5-HESI (5X20)	3	4		
3218307	QTC 2,5-HESI (5X20)/ET	1	2		
3050374	QTC 2,5-HESILED 24 (5X20)	5	6		
3218310	QTC 2,5-HESILED 24 (5X20)/ET	4	5		
3050390	QTC 2,5 HESILED 60 (5X20)	5	6		
3218323	QTC 2,5 HESILED 60 (5X20)/ET	1	2		
3050387	QTC 2,5-HESILA 250 (5X20)	6	7		
3218336	QTC 2,5-HESILA 250 (5X20)/ET	1	2		



Welcome

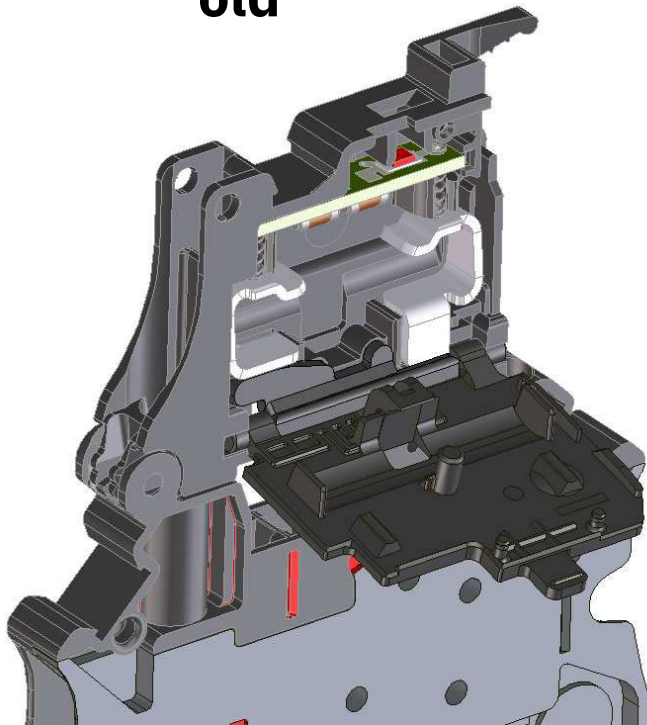
PBE240196



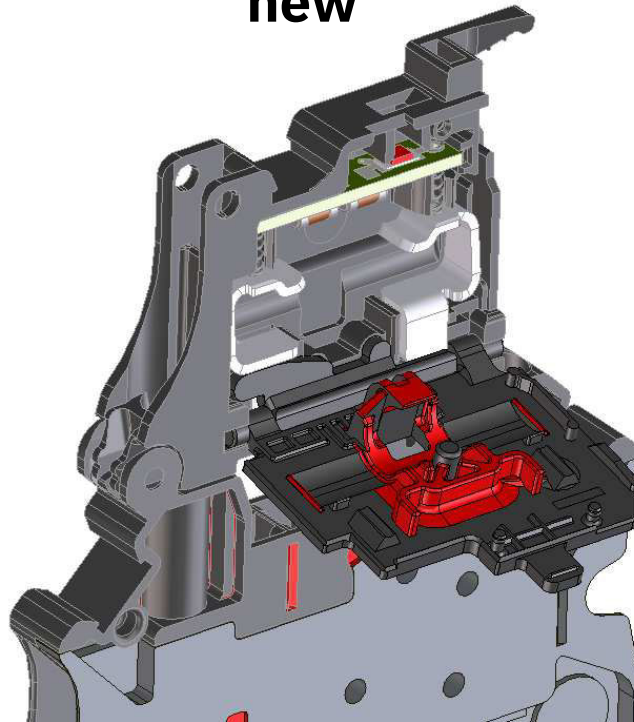
PBE240196

ST/UT/QTC type 4 HESI lever

old



new



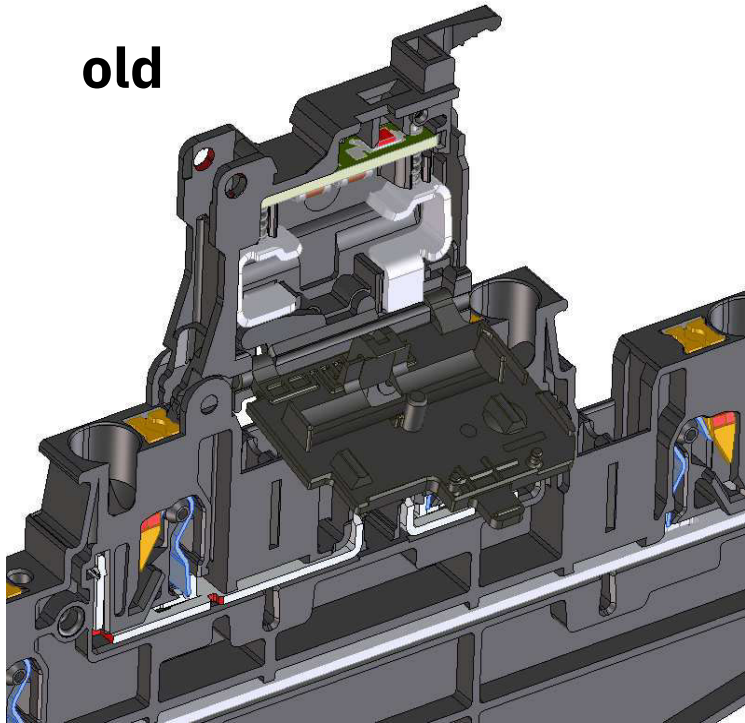
Impacted articles

1277638 UT 2,5-HESI-EX (5X20)
1434362 UT 2,5-HESILED 24 (5X20)
3050293 QTC 2,5-HESI (5X20)
3218307 QTC 2,5-HESI (5X20)/ET
3050374 QTC 2,5-HESILED 24 (5X20)
3218310 QTC 2,5-HESILED 24 (5X20)/ET
3050390 QTC 2,5 HESILED 60 (5X20)
3218323 QTC 2,5 HESILED 60 (5X20)/ET
3050387 QTC 2,5-HESILA 250 (5X20)
3218336 QTC 2,5-HESILA 250 (5X20)/ET

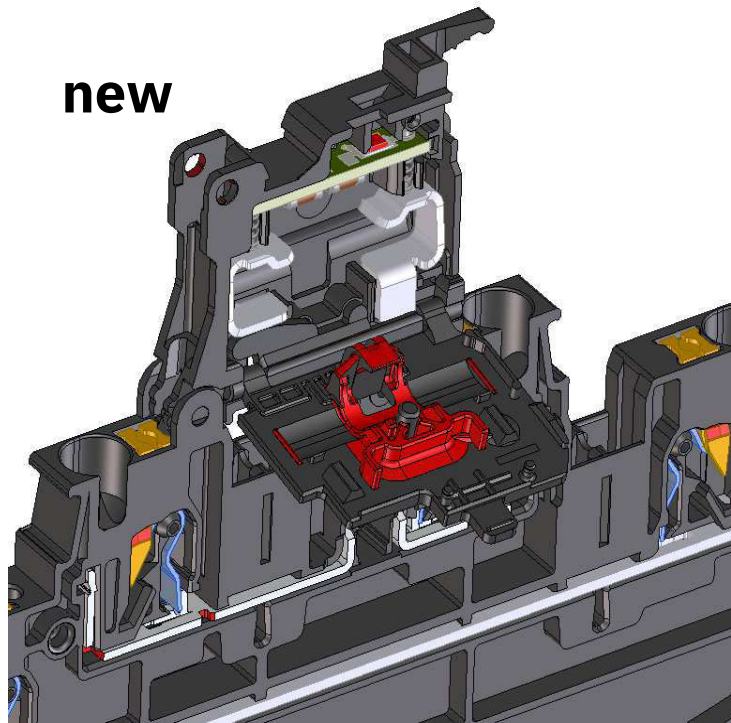
PBE240196

PT type 4 HESI lever

old



new



Impacted articles

1088742 PTV 4-HESI (5X20)

1088743 PTV 4-HESILED 24 (5X20)

1088744 PTV 4-HESILED 60 (5X20)

1088745 PTV 4-HESILA 250 (5X20)

3211886 PTTB 4-HESI (5X20)

3211895 PTTB 4-HESI-EX (5X20)

3211888 PTTB 4-HESILED 24 (5X20)

3211897 PTTB 4-HESILED 24-EX (5X20)

3211890 PTTB 4-HESILED 60 (5X20)

3211892 PTTB 4-HESILED 250 (5X20)

3211901 PTTB 4-HESILED 250-EX (5X20)

Item no.;Type;old;new;Substitute item;Replacement product designation;eCl@ss 13.0;
1088742;PTV 4-HESI (5X20);5;6;;;27250113;
1088743;PTV 4-HESILED 24 (5X20);5;6;;;27250113;
1088744;PTV 4-HESILED 60 (5X20);5;6;;;27250113;
1088745;PTV 4-HESILA 250 (5X20);5;6;;;27250113;
3211886;PTTB 4-HESI (5X20);4;5;;;27250113;
3211895;PTTB 4-HESI-EX (5X20);6;7;;;27250113;
3211888;PTTB 4-HESILED 24 (5X20);3;4;;;27250113;
3211897;PTTB 4-HESILED 24-EX (5X20);8;9;;;27250113;
3211890;PTTB 4-HESILED 60 (5X20);3;4;;;27250113;
3211892;PTTB 4-HESILED 250 (5X20);4;5;;;27250113;
3211901;PTTB 4-HESILED 250-EX (5X20);6;7;;;27250113;
1277638;UT 2
1434362;UT 2
3050293;QTC 2
3218307;QTC 2
3050374;QTC 2
3218310;QTC 2
3050390;QTC 2
3218323;QTC 2
3050387;QTC 2
3218336;QTC 2

5-HESI-EX (5X20);1;2;;;27250113;
5-HESILED 24 (5X20);0;1;;;27250113;
5-HESI (5X20);3;4;;;27250113;
5-HESI (5X20)/ET;1;2;;;
5-HESILED 24 (5X20);5;6;;;27250113;
5-HESILED 24 (5X20)/ET;4;5;;;
5 HESILED 60 (5X20);5;6;;;27250113;
5 HESILED 60 (5X20)/ET;1;2;;;
5-HESILA 250 (5X20);6;7;;;27250113;
5-HESILA 250 (5X20)/ET;1;2;;;

PCN/PDN Number	Customer Number	Company Name	Street
PBE240196	401641	TTI, INC.	2441 NORTHEAST PKWY
PBE240196	401641	TTI, INC.	2441 NORTHEAST PKWY
PBE240196	401641	TTI, INC.	2441 NORTHEAST PKWY
PBE240196	401641	TTI, INC.	2441 NORTHEAST PKWY

Postcode/Zip Code	City	Phoenix Contact Item-Nr. (changed/discontinued article)
76106	FORT WORTH	1277638
76106	FORT WORTH	1088744
76106	FORT WORTH	3211888
76106	FORT WORTH	3211886

Phoenix Contact Item Designation (changed/discontinued article)	Report Date	Substitute Item
UT 2,5-HESI-EX (5X20)	13.04.2026	
PTV 4-HESILED 60 (5X20)	13.04.2026	
PTTB 4-HESILED 24 (5X20)	13.04.2026	
PTTB 4-HESI (5X20)	13.04.2026	

Replacement Product Designation