



Product Change Notification

Current Date: 14-May-2026

TE Connectivity

Product Change Notification: PCN-26-279534

PCN Date: 13-MAY-26

Customer: TTI, Inc. (3057778)

Location: Maisach-gernlinden

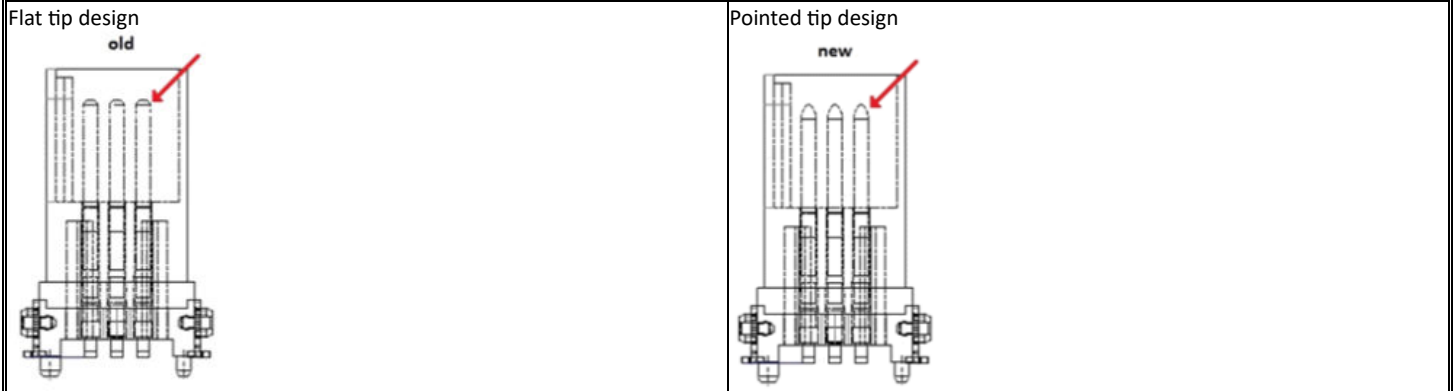
Agreement: Agreement Unknown

TE would like to inform you of the following change(s) to the listed TE Connectivity Product. In case of any further questions about this change(s), please contact your TE Connectivity Sales Engineer. Affected part, drawing and/or specification numbers are listed on the attached sheet(s).

Product Description: (Text limited to 120 characters)
M12 Male Connector

General Description of Changes

TE Connectivity is notifying customers and distributors of male contact pin tip contour update that was implemented as part of a product standardization initiative, and was not previously communicated for certain part numbers. The flat and pointed tip versions are functionally equivalent and fully interchangeable, and product drawings have been updated to reflect current TE Connectivity standards. During the transition period, both tip configurations may exist within shipments or packaging units



Reason for Changes:

The contact pin tip contour was transitioned from a flat tip design to a pointed tip design to align with standardized geometry across the product family. Both the original flat tip design and the current pointed tip design fully meet product requirements and perform as intended. There is no impact to reliability, form, fit, or function because of this change.

PCN Attributes:	
Product Category: Connectors	Kind of Change: Drawing
Change Feature: Drawing adapted to part change	Potential Customer Impact: No Customer Impact
Remarks:	

Estimated Dates:	
Last Order Date (Obsolete Parts Only):	First Ship Date of Changed Items (Changed Parts Only): 20-MAY-2026
Last Ship Date of Changed Items (Obsolete Parts Only):	Last Date for Mixed Shipments: (Changed Parts Only): No Mixed Shipments
Effectivity Date:	Date of First Samples:

Part Number(s) being Modified:

Part Number	Part Discontinued per PCN	Customer Drawing	Customer Part Number	Alias Part Number(s)	Substitute Part Number	Substitute Alias Part Number(s)	Description Of Difference
464834-E	NO		ERN464834-E				
484118-E	NO						
484156-E	NO		ERN484156-E				



Product Change Notification

Current Date: 14-May-2026

TE Connectivity

Product Change Notification: PCN-26-279534

PCN Date: 13-MAY-26

Customer: TTI Inc (1305175)

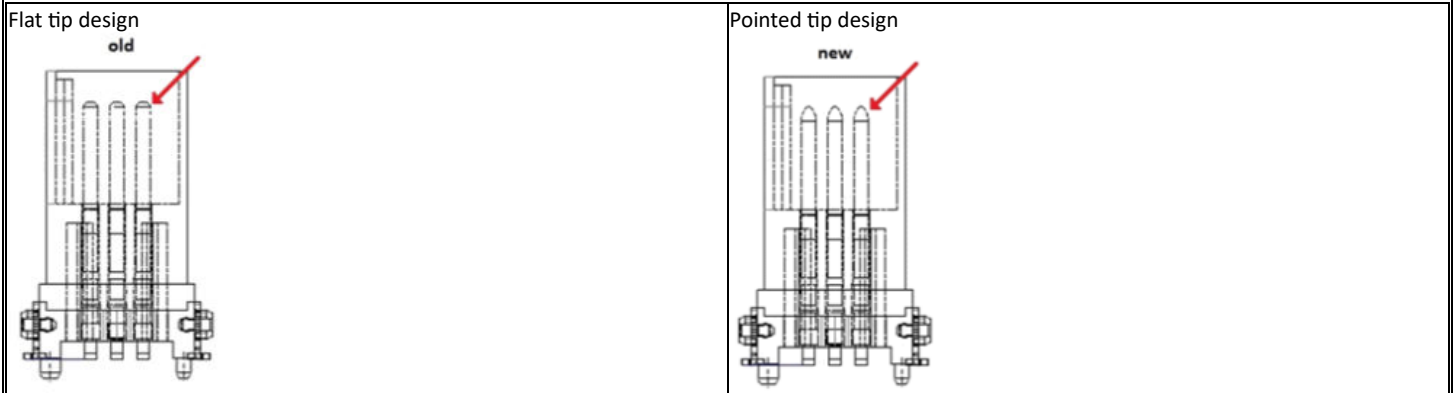
Location: Maisach-gernlinden

Agreement: Agreement Unknown

TE would like to inform you of the following change(s) to the listed TE Connectivity Product. In case of any further questions about this change(s), please contact your TE Connectivity Sales Engineer. Affected part, drawing and/or specification numbers are listed on the attached sheet(s).

Product Description: (Text limited to 120 characters)
M12 Male Connector

General Description of Changes
TE Connectivity is notifying customers and distributors of male contact pin tip contour update that was implemented as part of a product standardization initiative, and was not previously communicated for certain part numbers. The flat and pointed tip versions are functionally equivalent and fully interchangeable, and product drawings have been updated to reflect current TE Connectivity standards. During the transition period, both tip configurations may exist within shipments or packaging units



Reason for Changes:
The contact pin tip contour was transitioned from a flat tip design to a pointed tip design to align with standardized geometry across the product family. Both the original flat tip design and the current pointed tip design fully meet product requirements and perform as intended. There is no impact to reliability, form, fit, or function because of this change.

PCN Attributes:	
Product Category: Connectors	Kind of Change: Drawing
Change Feature: Drawing adapted to part change	Potential Customer Impact: No Customer Impact
Remarks:	

Estimated Dates:	
Last Order Date (Obsolete Parts Only):	First Ship Date of Changed Items (Changed Parts Only): 20-MAY-2026
Last Ship Date of Changed Items (Obsolete Parts Only):	Last Date for Mixed Shipments: (Changed Parts Only): No Mixed Shipments
Effectivity Date:	Date of First Samples:

Part Number(s) being Modified:

Part Number	Part Discontinued per PCN	Customer Drawing	Customer Part Number	Alias Part Number(s)	Substitute Part Number	Substitute Alias Part Number(s)	Description Of Difference
464834-E	NO		ERN464834-E				
484118-E	NO						
484156-E	NO		ERN484156-E				