



Product Change Notification

Current Date: 03-Jun-2026

TE Connectivity

Product Change Notification: PCN-26-280888

PCN Date: 02-JUN-26

Customer: TTI, Inc. (3057778)

Location: Maisach-gernlinden

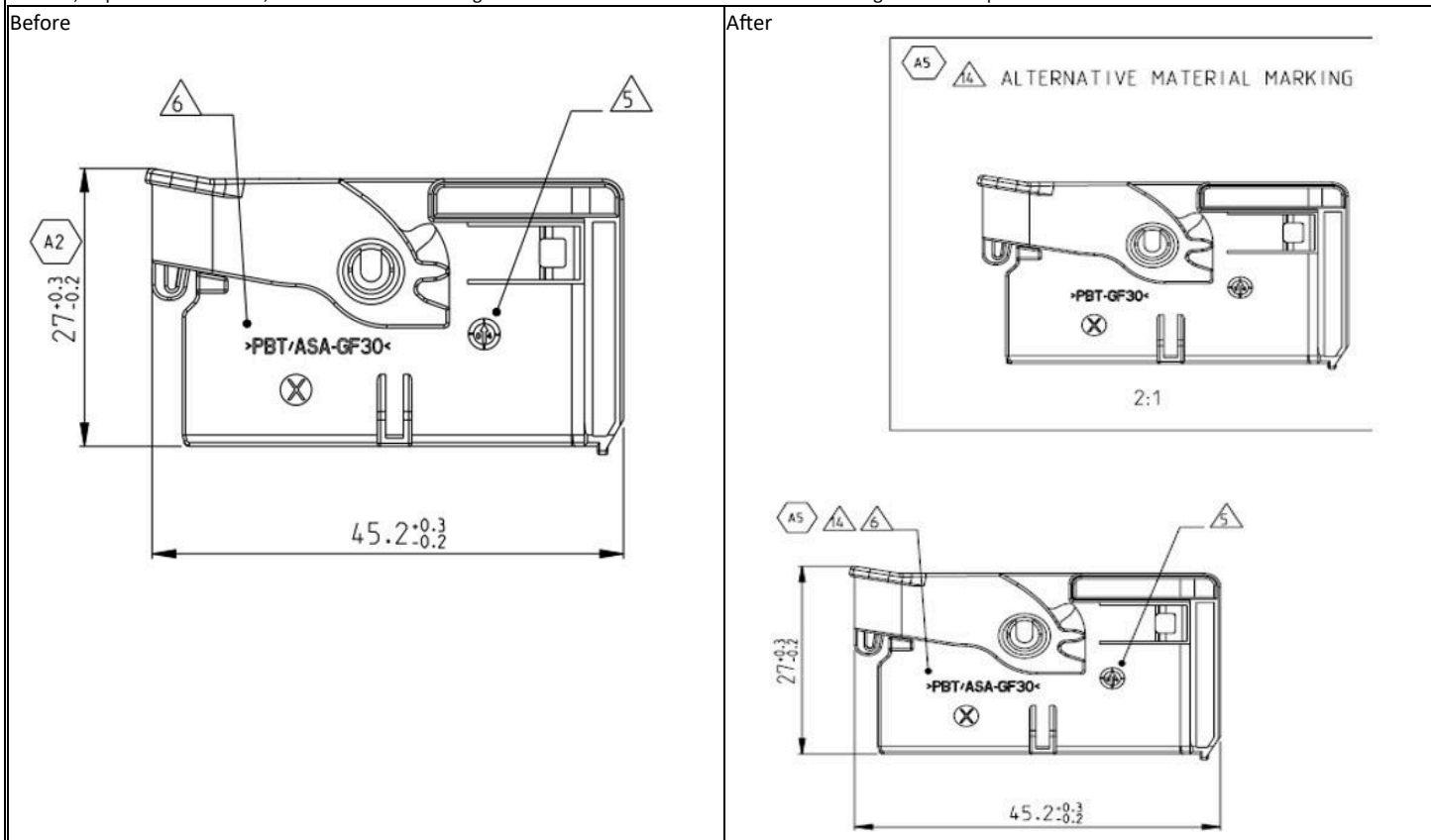
Agreement: Agreement Unknown

TE would like to inform you of the following change(s) to the listed TE Connectivity Product. In case of any further questions about this change(s), please contact your TE Connectivity Sales Engineer. Affected part, drawing and/or specification numbers are listed on the attached sheet(s).

Product Description: (Text limited to 120 characters)
Unsealed MCP CARRIERS FOR RECEPTACLE INSERTS

General Description of Changes

The Industrial and Commercial Transportation business unit of TE Connectivity is making an update to customer drawings below. To better reflect the new alternative material addition, as per PCN-25-266041, the new material marking and details were added on the customer drawings of affected products.



Reason for Changes:
Dear Customer, we hereby inform you of this drawing update. The update is necessary to better reflect change PCN-25-266041. The change does not impact performance. **IMPORTANT:** The current and previous configurations of these parts can be used interchangeably in the field. Shipments of both configurations may be mixed.

PCN Attributes:	
Product Category: Connector Housings	Kind of Change: Drawing
Change Feature: Drawing adapted to part change	Potential Customer Impact: No Customer Impact
Remarks:	

Estimated Dates:	
Last Order Date (Obsolete Parts Only):	First Ship Date of Changed Items (Changed Parts Only):
	02-JUN-2026

Last Ship Date of Changed Items (Obsolete Parts Only):	Last Date for Mixed Shipments: (Changed Parts Only):
	No Mixed Shipments
Effectivity Date:	Date of First Samples:

Part Number(s) being Modified:

Part Number	Part Discontinued per PCN	Customer Drawing	Customer Part Number	Alias Part Number(s)	Substitute Part Number	Substitute Alias Part Number(s)	Description Of Difference
1-1718484-1	NO		TYC1-1718484-1				
1-1718484-2	NO		TYC1-1718484-2				
1-1718484-3	NO		TYC1-1718484-3				
1-1718485-1	NO		TYC1-1718485-1				
1-1718485-2	NO		TYC1-1718485-2				
1-1718485-3	NO		TYC1-1718485-3				
1-1718485-4	NO		TYC1-1718485-4				
1-2141846-1	NO		TYC1-2141846-1				
1-2141846-3	NO		TYC1-2141846-3				
1-2141846-4	NO		TYC1-2141846-4				



Product Change Notification

Current Date: 03-Jun-2026

TE Connectivity

Product Change Notification: PCN-26-280888

PCN Date: 02-JUN-26

Customer: TTI Inc (1305175)

Location: Maisach-gernlinden

Agreement: TTI001

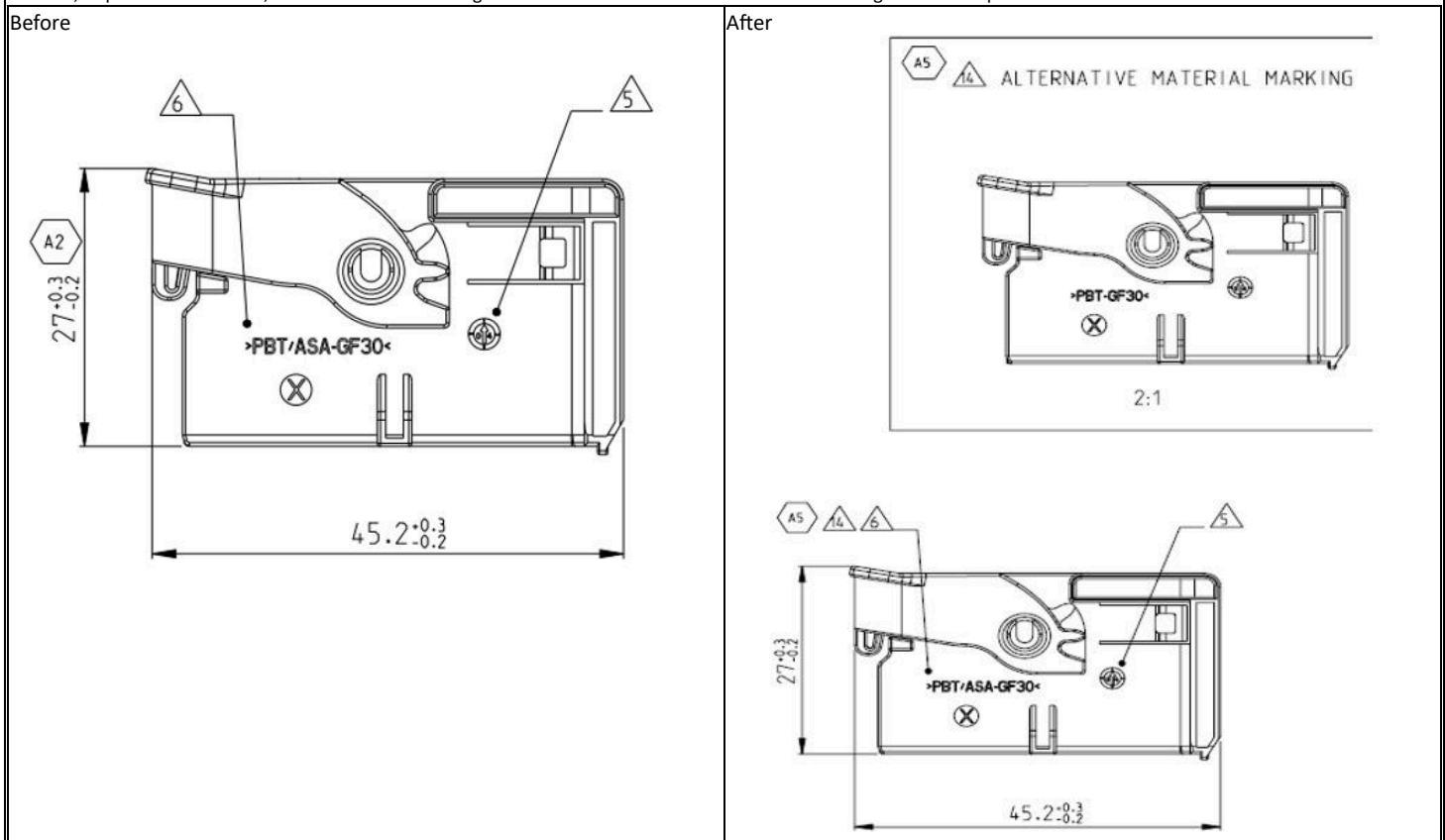
TE would like to inform you of the following change(s) to the listed TE Connectivity Product. In case of any further questions about this change(s), please contact your TE Connectivity Sales Engineer. Affected part, drawing and/or specification numbers are listed on the attached sheet(s).

Product Description: (Text limited to 120 characters)

Unsealed MCP CARRIERS FOR RECEPTACLE INSERTS

General Description of Changes

The Industrial and Commercial Transportation business unit of TE Connectivity is making an update to customer drawings below. To better reflect the new alternative material addition, as per PCN-25-266041, the new material marking and details were added on the customer drawings of affected products.



Reason for Changes:

Dear Customer, we hereby inform you of this drawing update. The update is necessary to better reflect change PCN-25-266041. The change does not impact performance. **IMPORTANT:** The current and previous configurations of these parts can be used interchangeably in the field. Shipments of both configurations may be mixed.

PCN Attributes:

Product Category: Connector Housings	Kind of Change: Drawing
Change Feature: Drawing adapted to part change	Potential Customer Impact: No Customer Impact
Remarks:	

Estimated Dates:

Last Order Date (Obsolete Parts Only):	First Ship Date of Changed Items (Changed Parts Only):
	02-JUN-2026

Last Ship Date of Changed Items (Obsolete Parts Only):	Last Date for Mixed Shipments: (Changed Parts Only):
	No Mixed Shipments
Effectivity Date:	Date of First Samples:

Part Number(s) being Modified:

Part Number	Part Discontinued per PCN	Customer Drawing	Customer Part Number	Alias Part Number(s)	Substitute Part Number	Substitute Alias Part Number(s)	Description Of Difference
1-1718484-1	NO						
1-1718484-2	NO						
1-1718484-3	NO						
1-1718485-1	NO						
1-1718485-2	NO						
1-1718485-3	NO						
1-1718485-4	NO						
1-2141846-1	NO						
1-2141846-3	NO						
1-2141846-4	NO						