

Resistors Product Change Notification

PCN Number	PCN-2025-RBU09
PCN Title	Change on LRF3W-LRF4W-SC3 families dimensions
PCN Date	21 st May 2025
Type of Change	<input type="checkbox"/> End of Life Notification <input type="checkbox"/> Manufacturing Facility Change or Addition <input checked="" type="checkbox"/> Datasheet Specification Change <input type="checkbox"/> Other: <input type="checkbox"/> Material Change <input type="checkbox"/> Process Change <input type="checkbox"/> Design Change
Manufacturing Location(s) Affected	TT Electronics Bedlington - Welwyn (UK)
Date of Change Implementation	21st of May 2025

Products Affected	
TT Series	Datasheet Link
LRF3W	https://www.ttelectronics.com/TTElectronics/media/ProductFiles/Datasheet/LRF3W.pdf
LRF4W	https://www.ttelectronics.com/TTElectronics/media/ProductFiles/Datasheet/LRF4W.pdf
SC3	https://www.ttelectronics.com/TTElectronics/media/ProductFiles/Datasheet/SC3.pdf

Change Detail	
Description of Change	TT Electronics is improving the manufacturing process of LRF3W-LRF4W-SC3 families and one dimension of the resistor layer will be changing modified as following: Current: 0.81 ±0.13mm New: 0.74±0.15mm See the comparison drawing in APPENDIX A
Reason for Change	Imnproving throughput and yield in production.
Implementation Plan	N/A
Customer Impact	No effect on customer, because the mounting pad dimensions are not effected by this change.
Recommendations	
Availability of Previously Manufactured Product	N/A
Availability of Approval Samples	N/A
Sales Contacts	Americas: Greg Hawkins greg.hawkins@ttelectronics.com Europe: Simon Webb simon.webb@ttelectronics.com Asia: Praveen Kumar Praveen.Kumar@ttelectronics.com

--	--

Approvals			
	Name	Title	Date
Issued by	Mario Garsi	Product Line Manager	21 st May 2025
Approved by	Klaus Zwerschina	VP Sales	21 st may 2025

Appendix A

LRF3W:

Current data sheet:

Physical Data

Dimensions and weight	Mounting Pad Dimensions and Example Kelvin Tracking
<p>0.51 ± 0.13mm Upper 6.5 ± 0.38mm 3.25 ± 0.25mm 0.81 ± 0.13mm Lower Plating wrap-around 2.29 ± 0.13mm 0.94 mm max thickness 65mg typ.</p>	<p>7.6 mm Current Track: I Sense Tracks: V+ V- Current Track: I 2 mm 1 mm</p>

New data sheet:

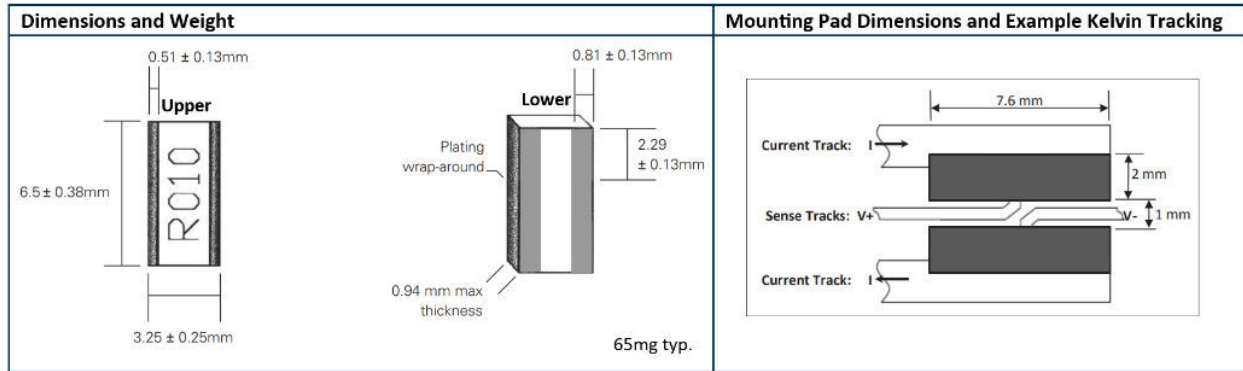
Physical Data

Dimensions and weight	Mounting Pad Dimensions and Example Kelvin Tracking
<p>0.51 ± 0.13mm Upper 6.5 ± 0.38mm 3.25 ± 0.25mm 0.74 ± 0.15mm Lower Plating wrap-around 2.29 ± 0.13mm 0.94 mm max thickness 65mg typ.</p>	<p>7.6 mm Current Track: I Sense Tracks: V+ V- Current Track: I 2 mm 1 mm</p>

LRF4W:

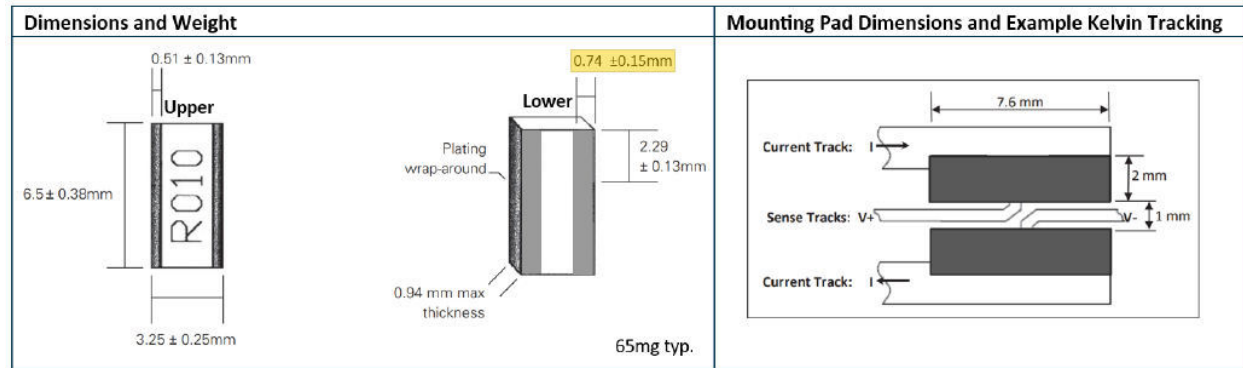
Current data sheet:

Physical Data



New data sheet:

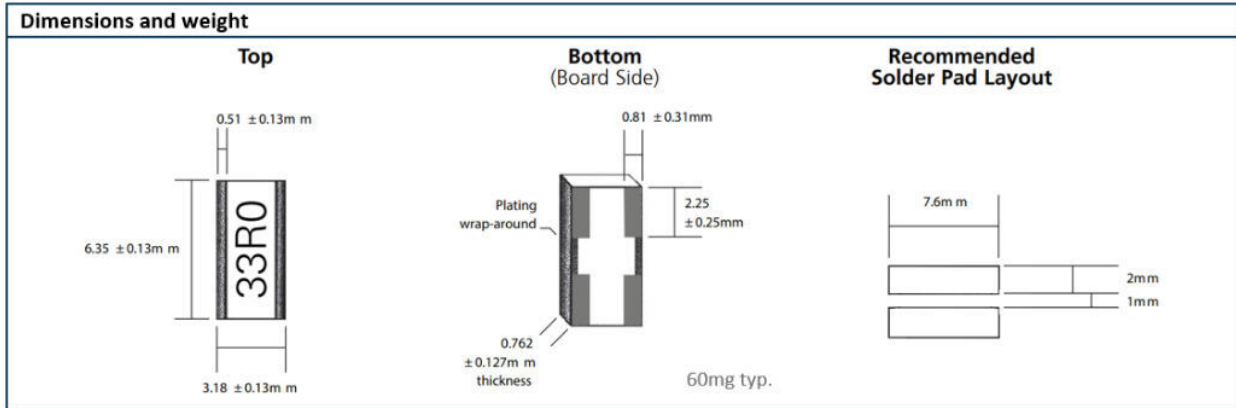
Physical Data



SC3:

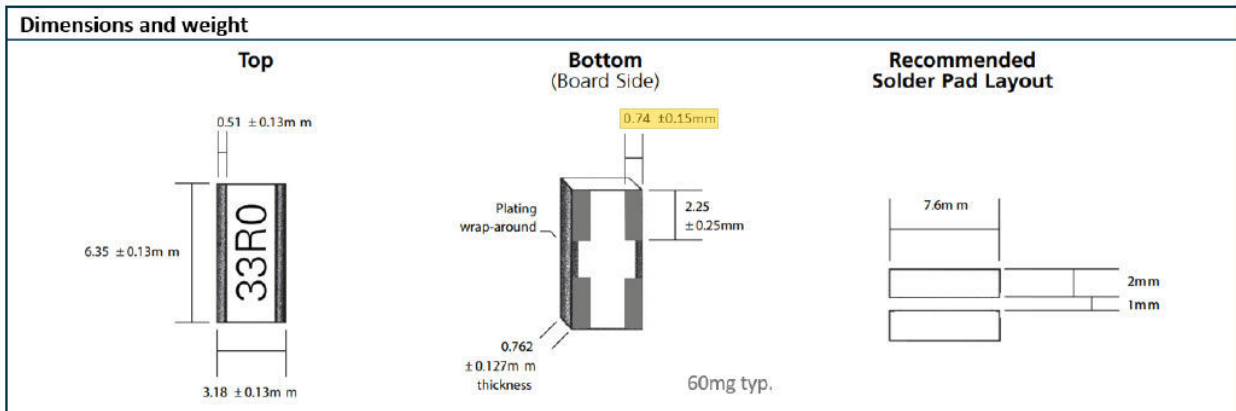
Current data sheet:

Physical Data



New data sheet:

Physical Data



Parts List

LRF3W-R003JW
LRF3W-R005FW
LRF3W-R005JW
LRF3W-R007JW
LRF3W-R008GW
LRF3W-R015FW
LRF3W-R015JW
LRF3W-R01FW
LRF3W-R01JW
LRF3W-R025FW
LRF3W-R02FW
LRF3W-R02JW
LRF3W-R033GW
LRF3W-R039JW
LRF3W-R03FW
LRF3W-R03JW
LRF3W-R047FW
LRF3W-R04FW
LRF3W-R04JW
LRF3W-R050JW
LRF3W-R05FW
LRF3W-R05JW
LRF3W-R10FW
SC3-10RFI
SC3-120RFI
SC3-22RJI
SC3-2R0JI
SC3-30RFI
SC3-500RFI

Hello Team,

please also add below two PN's & proceed accordingly:

Part Vend	Part Number
WEL	SC3-60RFI
WEL	LRF3W-R10JW

Thanks and regards,

Kathi