

Change of clip for lock & release lever & release lever B2CF

Dear Madam or Sir,

Product adaptations serve the purpose of continuous product and/or process improvement. The listed products are delivered in a modified version. Please pass this product information on to your employees and, if needed, to your customers.

1. General Overview

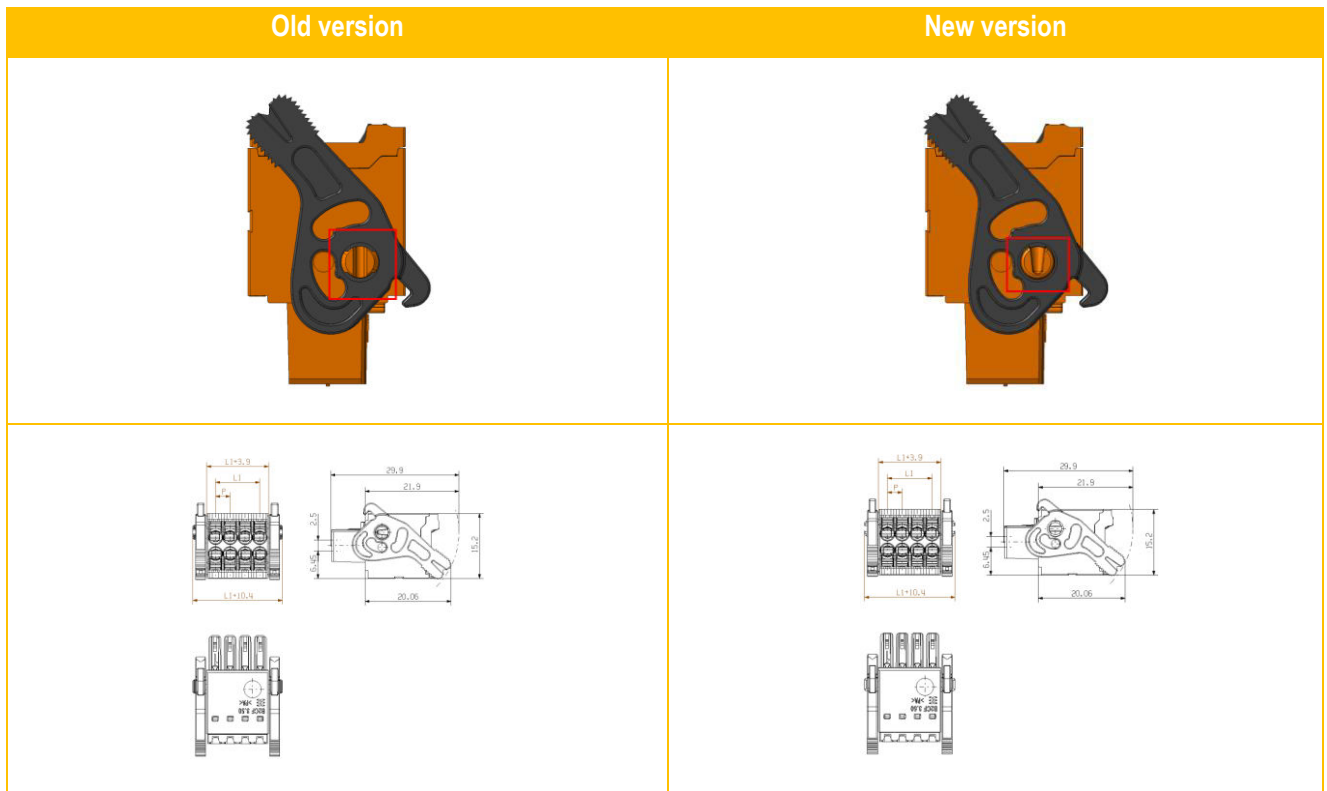
Type of notification: PCN PDN Short-term action

Short-term action due to:

- | | |
|--|---|
| <input type="checkbox"/> Software / Firmware Bugfix | <input type="checkbox"/> Short term delivery stop by supplier |
| <input type="checkbox"/> Short term recall by supplier | <input type="checkbox"/> Force majeure |
| <input type="checkbox"/> Product improvement with customer benefit | <input checked="" type="checkbox"/> other |

2. Technical changes

The mounting axis of the release levers/release bolts on the B2CF has been modified to further improve the fixing: the part numbers remain the same, and no stock clearance will be carried out. This may lead to items being mixed up during delivery, but not within a single package



3. Availability

We are writing to inform you that the change will be implemented in production during April 2026.

4. Affected parts

A list with all affected parts please find attached

5. Data

All technical data and functional features are unaffected by this measure.
Detailed information on the technical data can be found for each individual product in the [eShop](#).

We are very sorry for all the inconveniences caused and doing everything to adjust this product change as smooth as possible without big influence on delivery times and general functions.

For further questions please contact your sales office directly. All contacts for sales representatives are available here:
<http://www.weidmueller.com/contact>

Best regards

Product Management

Weidmüller Interface GmbH & Co. KG
Klingenbergstraße 26 | 32758 Detmold | Germany
www.weidmueller.com

B2CF with lock & release lever ("LR")

article	description	article	description
1278040000	B2CF 3.50/04/180LR SN OR BX	2088890000	B2CF 3.50/30/180LR SN BK BX LRP
1278050000	B2CF 3.50/06/180LR SN OR BX	2518300000	B2CF 3.50/20/180LR SN BK BX SO
1278060000	B2CF 3.50/08/180LR SN OR BX	2526870000	B2CF 3.50/10/180LR AU BK BX SO
1278070000	B2CF 3.50/10/180LR SN OR BX	2526910000	B2CF 3.50/22/180LR SN BK BX LRP
1278080000	B2CF 3.50/12/180LR SN OR BX	2526920000	B2CF 3.50/10/180LR AU BK BX SO
1278090000	B2CF 3.50/14/180LR SN OR BX	2539140000	B2CF 3.50/16/180LR AU RD BX SO
1278100000	B2CF 3.50/16/180LR SN OR BX	2558610000	B2CF 3.50/38/180LR SN OR BX
1278110000	B2CF 3.50/18/180LR SN OR BX	2558620000	B2CF 3.50/40/180LR SN OR BX
1278120000	B2CF 3.50/20/180LR SN OR BX	2558640000	B2CF 3.50/42/180LR SN OR BX
1278130000	B2CF 3.50/22/180LR SN OR BX	2558650000	B2CF 3.50/44/180LR SN OR BX
1278140000	B2CF 3.50/24/180LR SN OR BX	2558660000	B2CF 3.50/46/180LR SN OR BX
1278150000	B2CF 3.50/26/180LR SN OR BX	2558670000	B2CF 3.50/38/180LR SN BK BX
1278170000	B2CF 3.50/28/180LR SN OR BX	2558680000	B2CF 3.50/40/180LR SN BK BX
1278180000	B2CF 3.50/30/180LR SN OR BX	2558690000	B2CF 3.50/42/180LR SN BK BX
1278190000	B2CF 3.50/32/180LR SN OR BX	2558700000	B2CF 3.50/44/180LR SN BK BX
1278200000	B2CF 3.50/34/180LR SN OR BX	2558710000	B2CF 3.50/46/180LR SN BK BX
1278210000	B2CF 3.50/36/180LR SN OR BX	2593030000	B2CF 3.50/20/180LR SN OR BX LRP
1278230000	B2CF 3.50/04/180LR SN BK BX	2593050000	B2CF 3.50/34/180LR SN OR BX LRP
1278240000	B2CF 3.50/06/180LR SN BK BX	2637640000	B2CF 3.50/06/180LR SN OR BX LRP
1278250000	B2CF 3.50/08/180LR SN BK BX	2654260000	B2CF 3.50/34/180LR AU OR BX
1278260000	B2CF 3.50/10/180LR SN BK BX	2654270000	B2CF 3.50/36/180LR AU OR BX
1278270000	B2CF 3.50/12/180LR SN BK BX	2690590000	B2CF 3.50/16/180LR AU OR BX
1278280000	B2CF 3.50/14/180LR SN BK BX	2690970000	B2CF 3.50/08/180LR SN OR BX LRP
1278290000	B2CF 3.50/16/180LR SN BK BX	2709390000	B2CF 3.50/18/180LR SN OR BX LRP
1278300000	B2CF 3.50/18/180LR SN BK BX	2711020000	B2CF 3.50/04/180LR SN BK BX SO
1278310000	B2CF 3.50/20/180LR SN BK BX	2711030000	B2CF 3.50/06/180LR SN BK BX SO
1278320000	B2CF 3.50/22/180LR SN BK BX	2711040000	B2CF 3.50/08/180LR SN BK BX SO
1278340000	B2CF 3.50/24/180LR SN BK BX	2711050000	B2CF 3.50/10/180LR SN BK BX SO
1278350000	B2CF 3.50/26/180LR SN BK BX	2711060000	B2CF 3.50/12/180LR SN BK BX SO
1278370000	B2CF 3.50/28/180LR SN BK BX	2711070000	B2CF 3.50/20/180LR SN BK BX SO
1278380000	B2CF 3.50/30/180LR SN BK BX	2711080000	B2CF 3.50/24/180LR SN BK BX SO
1278390000	B2CF 3.50/32/180LR SN BK BX	2711090000	B2CF 3.50/28/180LR SN BK BX SO
1278400000	B2CF 3.50/34/180LR SN BK BX	2711100000	B2CF 3.50/32/180LR SN BK BX SO
1278410000	B2CF 3.50/36/180LR SN BK BX	2737220000	B2CF 3.50/36/180LR SN BK BX SO
2054530000	B2CF 3.50/12/180LRZE SN OR BX	2828730000	B2CF 3.50/40/180LR SN OR BX SO
2054540000	B2CF 3.50/16/180LRZE SN OR BX	2838900000	B2CF 3.50/34/180LR SN BK BX LRP
2054550000	B2CF 3.50/18/180LRZE SN OR BX	2873900000	B2CF 3.50/16/180LR SN BK BX SO
2054600000	B2CF 3.50/20/180LRZE SN OR BX	2905490000	B2CF 3.50/40/180LR SN BK BX SO
2054620000	B2CF 3.50/24/180LRZE SN OR BX	2912740000	B2CF 3.50/12/180LR SN BK BX CO
2054700000	B2CF 3.50/32/180LRZE SN OR BX	2912750000	B2CF 3.50/12/180LR SN BK BX CO
2054710000	B2CF 3.50/36/180LRZE SN OR BX	2961610000	B2CF 3.50/40/180LR SN BK BX SO
2086510000	B2CF 3.50/12/180LR SN BK BX LRP	3021490000	B2CF 3.50/10/180LRZE SN OR BX
2086520000	B2CF 3.50/24/180LR SN BK BX LRP	3021500000	B2CF 3.50/14/180LRZE SN OR BX
2086530000	B2CF 3.50/32/180LR SN BK BX LRP	3021600000	B2CF 3.50/22/180LRZE SN OR BX
2086540000	B2CF 3.50/34/180LR SN BK BX LRP	3129150000	B2CF 3.50/12/180LR SN OR BX LRP
2086550000	B2CF 3.50/36/180LR SN BK BX LRP		

B2CF with release lever ("LH")

article	description	article	description
1365820000	B2CF 3.50/24/180LH SN OR BX	1376050000	B2CF 3.50/36/180LH SN OR BX
1367040000	B2CF 3.50/36/180LH SN BK BX SO	1449730000	B2CF 3.50/30/180LH SN BK BX LRP
1372870000	B2CF 3.50/24/180LH SN BK BX	1460190000	B2CF 3.50/10/180LH SN BK BX SO
1375710000	B2CF 3.50/04/180LH SN BK BX	1460200000	B2CF 3.50/36/180LH SN BK BX SO
1375720000	B2CF 3.50/06/180LH SN BK BX	2509650000	B2CF 3.50/36/180LH SN OR BX LRP
1375730000	B2CF 3.50/08/180LH SN BK BX	2558720000	B2CF 3.50/38/180LH SN OR BX
1375740000	B2CF 3.50/10/180LH SN BK BX	2558730000	B2CF 3.50/40/180LH SN OR BX
1375750000	B2CF 3.50/12/180LH SN BK BX	2558740000	B2CF 3.50/42/180LH SN OR BX
1375770000	B2CF 3.50/14/180LH SN BK BX	2558750000	B2CF 3.50/44/180LH SN OR BX
1375780000	B2CF 3.50/16/180LH SN BK BX	2558760000	B2CF 3.50/46/180LH SN OR BX
1375790000	B2CF 3.50/18/180LH SN BK BX	2558770000	B2CF 3.50/38/180LH SN BK BX
1375800000	B2CF 3.50/20/180LH SN BK BX	2558780000	B2CF 3.50/40/180LH SN BK BX
1375810000	B2CF 3.50/22/180LH SN BK BX	2558790000	B2CF 3.50/42/180LH SN BK BX
1375820000	B2CF 3.50/26/180LH SN BK BX	2558800000	B2CF 3.50/44/180LH SN BK BX
1375830000	B2CF 3.50/28/180LH SN BK BX	2558810000	B2CF 3.50/46/180LH SN BK BX
1375840000	B2CF 3.50/30/180LH SN BK BX	2710920000	B2CF 3.50/04/180LH SN BK BX SO
1375850000	B2CF 3.50/32/180LH SN BK BX	2710940000	B2CF 3.50/06/180LH SN BK BX SO
1375870000	B2CF 3.50/34/180LH SN BK BX	2710950000	B2CF 3.50/08/180LH SN BK BX SO
1375880000	B2CF 3.50/36/180LH SN BK BX	2710960000	B2CF 3.50/10/180LH SN BK BX SO
1375890000	B2CF 3.50/04/180LH SN OR BX	2710970000	B2CF 3.50/12/180LH SN BK BX SO
1375900000	B2CF 3.50/06/180LH SN OR BX	2710980000	B2CF 3.50/20/180LH SN BK BX SO
1375910000	B2CF 3.50/08/180LH SN OR BX	2710990000	B2CF 3.50/24/180LH SN BK BX SO
1375920000	B2CF 3.50/10/180LH SN OR BX	2711000000	B2CF 3.50/28/180LH SN BK BX SO
1375930000	B2CF 3.50/12/180LH SN OR BX	2711010000	B2CF 3.50/32/180LH SN BK BX SO
1375940000	B2CF 3.50/14/180LH SN OR BX	2711200000	B2CF 3.50/16/180LH SN BK BX SO
1375950000	B2CF 3.50/16/180LH SN OR BX	2711210000	B2CF 3.50/20/180LH SN BK BX SO
1375970000	B2CF 3.50/18/180LH SN OR BX	2711220000	B2CF 3.50/36/180LH SN BK BX SO
1375980000	B2CF 3.50/20/180LH SN OR BX	2970650000	B2CF 3.50/24/180LH SN DKG BX SO
1375990000	B2CF 3.50/22/180LH SN OR BX	2970660000	B2CF 3.50/24/180LH SN BK BX SO
1376000000	B2CF 3.50/26/180LH SN OR BX	2978830000	B2CF 3.50/22/180LH SN BL BX LRP
1376010000	B2CF 3.50/28/180LH SN OR BX	2984840000	B2CF 3.50/18/180LH AU OR BX
1376020000	B2CF 3.50/30/180LH SN OR BX	2984850000	B2CF 3.50/32/180LH AU OR BX
1376030000	B2CF 3.50/32/180LH SN OR BX	3053690000	B2CF 3.50/24/180LH SN BK BX LRP
1376040000	B2CF 3.50/34/180LH SN OR BX	3053700000	B2CF 3.50/16/180LH SN BK BX LRP

Änderung der Aufnahmeachse des Lösehebel & Löseriegel bei B2CF

Sehr geehrte Damen und Herren,

Produktanpassungen dienen der kontinuierlichen Produkt- und/oder Prozessverbesserung. Die aufgeführten Artikel werden in einer modifizierten Version geliefert. Bitte geben Sie diese Produktinformationen an Ihre Mitarbeiter und ggf. an Ihre Kunden weiter.

1. Allgemeiner Überblick

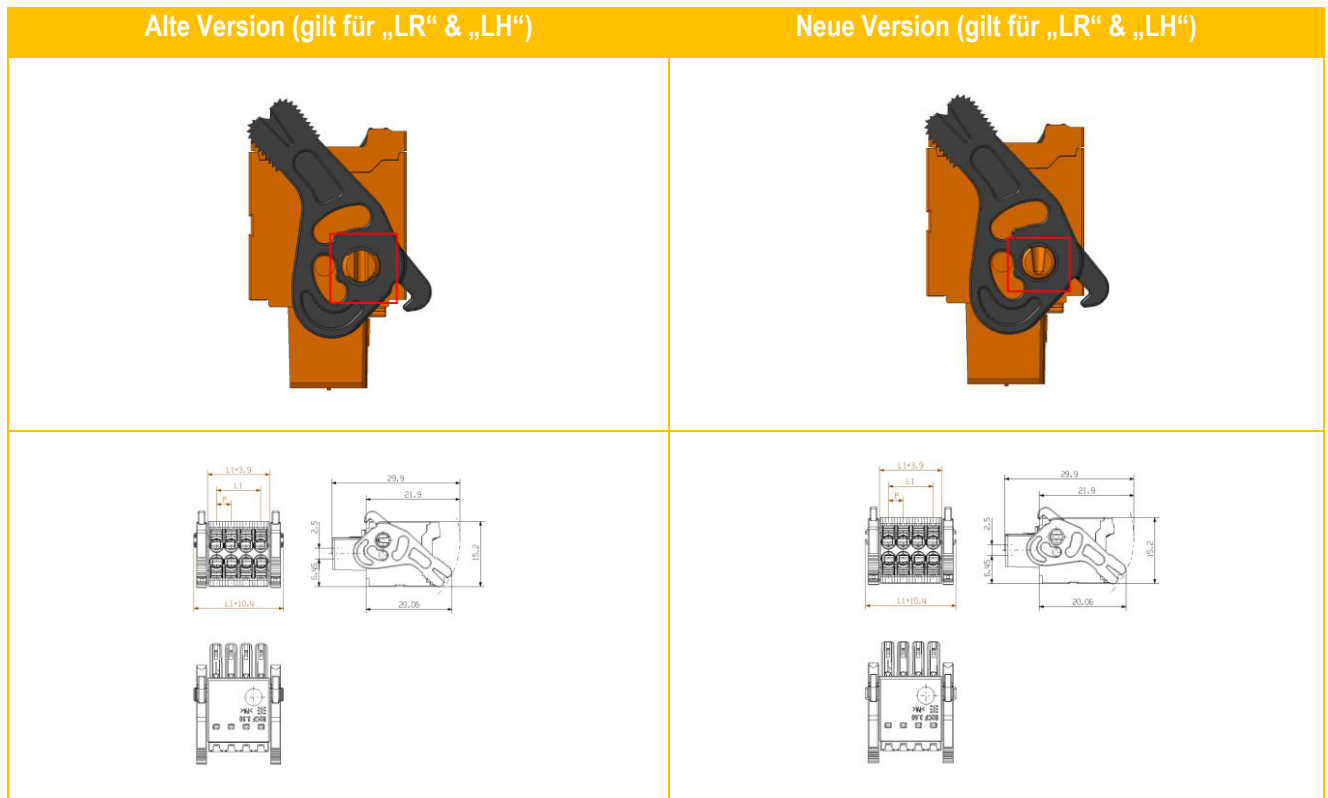
Art der Maßnahme: PCN PDN Kurzfristige Aktion

Kurzfristige Maßnahme aufgrund von:

- | | |
|--|--|
| <input type="checkbox"/> Software / Firmware Bugfix | <input type="checkbox"/> Kurzfristiger Lieferstopp durch Lieferanten |
| <input type="checkbox"/> Kurzfristiger Rückruf durch Lieferanten | <input type="checkbox"/> Force majeure |
| <input type="checkbox"/> Produktverbesserung mit Kundennutzen | <input checked="" type="checkbox"/> andere |

2. Technische Änderung

Die Aufnahmeachse der Lösehebel/Löseriegel der B2CF wurde modifiziert, um die Befestigung weiter zu verbessern: Die Artikelnummer bleiben bestehen, eine Lagerbereinigung wird nicht vorgenommen. Das kann bei einer Lieferung zu Vermischung führen, aber nicht innerhalb einer Verpackung



3. Zeitplan

Mit diesem Schreiben teilen wir Ihnen mit, dass die Änderung ab April 2026 in der Produktion umgesetzt wird.

4. Betroffene Artikel

Eine Liste aller betroffenen Artikel finden Sie im Anhang

5. Daten

Alle technischen Daten und Funktionsmerkmale sind von dieser Maßnahme unberührt.
Detaillierte Informationen zu den technischen Daten finden Sie zu den einzelnen Produkten im [eShop](#).

Bitte entschuldigen Sie die Unannehmlichkeiten, welche eventuell mit der Änderung verbunden sind. Wir werden alles tun, um diese Produktänderung so reibungslos wie möglich und ohne Einfluss auf Lieferzeiten und Funktionsweise durchzuführen.

Für weitere Rückfragen wenden Sie sich bitte direkt an das Ihnen zugeordnete Vertriebsbüro. Kontaktinformationen zu unseren Außendienstmitarbeitern finden Sie unter: www.weidmueller.com/contact

Mit freundlichen Grüßen
Produktmanagement

Weidmüller Interface GmbH & Co. KG
Klingenbergstraße 26 | 32758 Detmold | Germany
www.weidmueller.com

B2CF mit Löseriegel ("LR")

article	description	article	description
1278040000	B2CF 3.50/04/180LR SN OR BX	2088890000	B2CF 3.50/30/180LR SN BK BX LRP
1278050000	B2CF 3.50/06/180LR SN OR BX	2518300000	B2CF 3.50/20/180LR SN BK BX SO
1278060000	B2CF 3.50/08/180LR SN OR BX	2526870000	B2CF 3.50/10/180LR AU BK BX SO
1278070000	B2CF 3.50/10/180LR SN OR BX	2526910000	B2CF 3.50/22/180LR SN BK BX LRP
1278080000	B2CF 3.50/12/180LR SN OR BX	2526920000	B2CF 3.50/10/180LR AU BK BX SO
1278090000	B2CF 3.50/14/180LR SN OR BX	2539140000	B2CF 3.50/16/180LR AU RD BX SO
1278100000	B2CF 3.50/16/180LR SN OR BX	2558610000	B2CF 3.50/38/180LR SN OR BX
1278110000	B2CF 3.50/18/180LR SN OR BX	2558620000	B2CF 3.50/40/180LR SN OR BX
1278120000	B2CF 3.50/20/180LR SN OR BX	2558640000	B2CF 3.50/42/180LR SN OR BX
1278130000	B2CF 3.50/22/180LR SN OR BX	2558650000	B2CF 3.50/44/180LR SN OR BX
1278140000	B2CF 3.50/24/180LR SN OR BX	2558660000	B2CF 3.50/46/180LR SN OR BX
1278150000	B2CF 3.50/26/180LR SN OR BX	2558670000	B2CF 3.50/38/180LR SN BK BX
1278170000	B2CF 3.50/28/180LR SN OR BX	2558680000	B2CF 3.50/40/180LR SN BK BX
1278180000	B2CF 3.50/30/180LR SN OR BX	2558690000	B2CF 3.50/42/180LR SN BK BX
1278190000	B2CF 3.50/32/180LR SN OR BX	2558700000	B2CF 3.50/44/180LR SN BK BX
1278200000	B2CF 3.50/34/180LR SN OR BX	2558710000	B2CF 3.50/46/180LR SN BK BX
1278210000	B2CF 3.50/36/180LR SN OR BX	2593030000	B2CF 3.50/20/180LR SN OR BX LRP
1278230000	B2CF 3.50/04/180LR SN BK BX	2593050000	B2CF 3.50/34/180LR SN OR BX LRP
1278240000	B2CF 3.50/06/180LR SN BK BX	2637640000	B2CF 3.50/06/180LR SN OR BX LRP
1278250000	B2CF 3.50/08/180LR SN BK BX	2654260000	B2CF 3.50/34/180LR AU OR BX
1278260000	B2CF 3.50/10/180LR SN BK BX	2654270000	B2CF 3.50/36/180LR AU OR BX
1278270000	B2CF 3.50/12/180LR SN BK BX	2690590000	B2CF 3.50/16/180LR AU OR BX
1278280000	B2CF 3.50/14/180LR SN BK BX	2690970000	B2CF 3.50/08/180LR SN OR BX LRP
1278290000	B2CF 3.50/16/180LR SN BK BX	2709390000	B2CF 3.50/18/180LR SN OR BX LRP
1278300000	B2CF 3.50/18/180LR SN BK BX	2711020000	B2CF 3.50/04/180LR SN BK BX SO
1278310000	B2CF 3.50/20/180LR SN BK BX	2711030000	B2CF 3.50/06/180LR SN BK BX SO
1278320000	B2CF 3.50/22/180LR SN BK BX	2711040000	B2CF 3.50/08/180LR SN BK BX SO
1278340000	B2CF 3.50/24/180LR SN BK BX	2711050000	B2CF 3.50/10/180LR SN BK BX SO
1278350000	B2CF 3.50/26/180LR SN BK BX	2711060000	B2CF 3.50/12/180LR SN BK BX SO
1278370000	B2CF 3.50/28/180LR SN BK BX	2711070000	B2CF 3.50/20/180LR SN BK BX SO
1278380000	B2CF 3.50/30/180LR SN BK BX	2711080000	B2CF 3.50/24/180LR SN BK BX SO
1278390000	B2CF 3.50/32/180LR SN BK BX	2711090000	B2CF 3.50/28/180LR SN BK BX SO
1278400000	B2CF 3.50/34/180LR SN BK BX	2711100000	B2CF 3.50/32/180LR SN BK BX SO
1278410000	B2CF 3.50/36/180LR SN BK BX	2737220000	B2CF 3.50/36/180LR SN BK BX SO
2054530000	B2CF 3.50/12/180LRZE SN OR BX	2828730000	B2CF 3.50/40/180LR SN OR BX SO
2054540000	B2CF 3.50/16/180LRZE SN OR BX	2838900000	B2CF 3.50/34/180LR SN BK BX LRP
2054550000	B2CF 3.50/18/180LRZE SN OR BX	2873900000	B2CF 3.50/16/180LR SN BK BX SO
2054600000	B2CF 3.50/20/180LRZE SN OR BX	2905490000	B2CF 3.50/40/180LR SN BK BX SO
2054620000	B2CF 3.50/24/180LRZE SN OR BX	2912740000	B2CF 3.50/12/180LR SN BK BX CO
2054700000	B2CF 3.50/32/180LRZE SN OR BX	2912750000	B2CF 3.50/12/180LR SN BK BX CO
2054710000	B2CF 3.50/36/180LRZE SN OR BX	2961610000	B2CF 3.50/40/180LR SN BK BX SO
2086510000	B2CF 3.50/12/180LR SN BK BX LRP	3021490000	B2CF 3.50/10/180LRZE SN OR BX
2086520000	B2CF 3.50/24/180LR SN BK BX LRP	3021500000	B2CF 3.50/14/180LRZE SN OR BX
2086530000	B2CF 3.50/32/180LR SN BK BX LRP	3021600000	B2CF 3.50/22/180LRZE SN OR BX
2086540000	B2CF 3.50/34/180LR SN BK BX LRP	3129150000	B2CF 3.50/12/180LR SN OR BX LRP
2086550000	B2CF 3.50/36/180LR SN BK BX LRP		

B2CF mit Lösehebel ("LH")

article	description	article	description
1365820000	B2CF 3.50/24/180LH SN OR BX	1376050000	B2CF 3.50/36/180LH SN OR BX
1367040000	B2CF 3.50/36/180LH SN BK BX SO	1449730000	B2CF 3.50/30/180LH SN BK BX LRP
1372870000	B2CF 3.50/24/180LH SN BK BX	1460190000	B2CF 3.50/10/180LH SN BK BX SO
1375710000	B2CF 3.50/04/180LH SN BK BX	1460200000	B2CF 3.50/36/180LH SN BK BX SO
1375720000	B2CF 3.50/06/180LH SN BK BX	2509650000	B2CF 3.50/36/180LH SN OR BX LRP
1375730000	B2CF 3.50/08/180LH SN BK BX	2558720000	B2CF 3.50/38/180LH SN OR BX
1375740000	B2CF 3.50/10/180LH SN BK BX	2558730000	B2CF 3.50/40/180LH SN OR BX
1375750000	B2CF 3.50/12/180LH SN BK BX	2558740000	B2CF 3.50/42/180LH SN OR BX
1375770000	B2CF 3.50/14/180LH SN BK BX	2558750000	B2CF 3.50/44/180LH SN OR BX
1375780000	B2CF 3.50/16/180LH SN BK BX	2558760000	B2CF 3.50/46/180LH SN OR BX
1375790000	B2CF 3.50/18/180LH SN BK BX	2558770000	B2CF 3.50/38/180LH SN BK BX
1375800000	B2CF 3.50/20/180LH SN BK BX	2558780000	B2CF 3.50/40/180LH SN BK BX
1375810000	B2CF 3.50/22/180LH SN BK BX	2558790000	B2CF 3.50/42/180LH SN BK BX
1375820000	B2CF 3.50/26/180LH SN BK BX	2558800000	B2CF 3.50/44/180LH SN BK BX
1375830000	B2CF 3.50/28/180LH SN BK BX	2558810000	B2CF 3.50/46/180LH SN BK BX
1375840000	B2CF 3.50/30/180LH SN BK BX	2710920000	B2CF 3.50/04/180LH SN BK BX SO
1375850000	B2CF 3.50/32/180LH SN BK BX	2710940000	B2CF 3.50/06/180LH SN BK BX SO
1375870000	B2CF 3.50/34/180LH SN BK BX	2710950000	B2CF 3.50/08/180LH SN BK BX SO
1375880000	B2CF 3.50/36/180LH SN BK BX	2710960000	B2CF 3.50/10/180LH SN BK BX SO
1375890000	B2CF 3.50/04/180LH SN OR BX	2710970000	B2CF 3.50/12/180LH SN BK BX SO
1375900000	B2CF 3.50/06/180LH SN OR BX	2710980000	B2CF 3.50/20/180LH SN BK BX SO
1375910000	B2CF 3.50/08/180LH SN OR BX	2710990000	B2CF 3.50/24/180LH SN BK BX SO
1375920000	B2CF 3.50/10/180LH SN OR BX	2711000000	B2CF 3.50/28/180LH SN BK BX SO
1375930000	B2CF 3.50/12/180LH SN OR BX	2711010000	B2CF 3.50/32/180LH SN BK BX SO
1375940000	B2CF 3.50/14/180LH SN OR BX	2711200000	B2CF 3.50/16/180LH SN BK BX SO
1375950000	B2CF 3.50/16/180LH SN OR BX	2711210000	B2CF 3.50/20/180LH SN BK BX SO
1375970000	B2CF 3.50/18/180LH SN OR BX	2711220000	B2CF 3.50/36/180LH SN BK BX SO
1375980000	B2CF 3.50/20/180LH SN OR BX	2970650000	B2CF 3.50/24/180LH SN DKG BX SO
1375990000	B2CF 3.50/22/180LH SN OR BX	2970660000	B2CF 3.50/24/180LH SN BK BX SO
1376000000	B2CF 3.50/26/180LH SN OR BX	2978830000	B2CF 3.50/22/180LH SN BL BX LRP
1376010000	B2CF 3.50/28/180LH SN OR BX	2984840000	B2CF 3.50/18/180LH AU OR BX
1376020000	B2CF 3.50/30/180LH SN OR BX	2984850000	B2CF 3.50/32/180LH AU OR BX
1376030000	B2CF 3.50/32/180LH SN OR BX	3053690000	B2CF 3.50/24/180LH SN BK BX LRP
1376040000	B2CF 3.50/34/180LH SN OR BX	3053700000	B2CF 3.50/16/180LH SN BK BX LRP

Order Number	Type
1278040000	B2CF 3.50/04/180LR SN OR BX
2088890000	B2CF 3.50/30/180LR SN BK BX LRP
1278050000	B2CF 3.50/06/180LR SN OR BX
2518300000	B2CF 3.50/20/180LR SN BK BX SO
1278060000	B2CF 3.50/08/180LR SN OR BX
2526870000	B2CF 3.50/10/180LR AU BK BX SO
1278070000	B2CF 3.50/10/180LR SN OR BX
2526910000	B2CF 3.50/22/180LR SN BK BX LRP
1278080000	B2CF 3.50/12/180LR SN OR BX
2526920000	B2CF 3.50/10/180LR AU BK BX SO
1278090000	B2CF 3.50/14/180LR SN OR BX
2539140000	B2CF 3.50/16/180LR AU RD BX SO
1278100000	B2CF 3.50/16/180LR SN OR BX
2558610000	B2CF 3.50/38/180LR SN OR BX
1278110000	B2CF 3.50/18/180LR SN OR BX
2558620000	B2CF 3.50/40/180LR SN OR BX
1278120000	B2CF 3.50/20/180LR SN OR BX
2558640000	B2CF 3.50/42/180LR SN OR BX
1278130000	B2CF 3.50/22/180LR SN OR BX
2558650000	B2CF 3.50/44/180LR SN OR BX
1278140000	B2CF 3.50/24/180LR SN OR BX
2558660000	B2CF 3.50/46/180LR SN OR BX
1278150000	B2CF 3.50/26/180LR SN OR BX
2558670000	B2CF 3.50/38/180LR SN BK BX
1278170000	B2CF 3.50/28/180LR SN OR BX
2558680000	B2CF 3.50/40/180LR SN BK BX
1278180000	B2CF 3.50/30/180LR SN OR BX
2558690000	B2CF 3.50/42/180LR SN BK BX
1278190000	B2CF 3.50/32/180LR SN OR BX
2558700000	B2CF 3.50/44/180LR SN BK BX
1278200000	B2CF 3.50/34/180LR SN OR BX
2558710000	B2CF 3.50/46/180LR SN BK BX
1278210000	B2CF 3.50/36/180LR SN OR BX
2593030000	B2CF 3.50/20/180LR SN OR BX LRP
1278230000	B2CF 3.50/04/180LR SN BK BX
2593050000	B2CF 3.50/34/180LR SN OR BX LRP
1278240000	B2CF 3.50/06/180LR SN BK BX
2637640000	B2CF 3.50/06/180LR SN OR BX LRP
1278250000	B2CF 3.50/08/180LR SN BK BX
2654260000	B2CF 3.50/34/180LR AU OR BX
1278260000	B2CF 3.50/10/180LR SN BK BX
2654270000	B2CF 3.50/36/180LR AU OR BX
1278270000	B2CF 3.50/12/180LR SN BK BX
2690590000	B2CF 3.50/16/180LR AU OR BX
1278280000	B2CF 3.50/14/180LR SN BK BX
2690970000	B2CF 3.50/08/180LR SN OR BX LRP

1278290000	B2CF 3.50/16/180LR SN BK BX
2709390000	B2CF 3.50/18/180LR SN OR BX LRP
1278300000	B2CF 3.50/18/180LR SN BK BX
2711020000	B2CF 3.50/04/180LR SN BK BX SO
1278310000	B2CF 3.50/20/180LR SN BK BX
2711030000	B2CF 3.50/06/180LR SN BK BX SO
1278320000	B2CF 3.50/22/180LR SN BK BX
2711040000	B2CF 3.50/08/180LR SN BK BX SO
1278340000	B2CF 3.50/24/180LR SN BK BX
2711050000	B2CF 3.50/10/180LR SN BK BX SO
1278350000	B2CF 3.50/26/180LR SN BK BX
2711060000	B2CF 3.50/12/180LR SN BK BX SO
1278370000	B2CF 3.50/28/180LR SN BK BX
2711070000	B2CF 3.50/20/180LR SN BK BX SO
1278380000	B2CF 3.50/30/180LR SN BK BX
2711080000	B2CF 3.50/24/180LR SN BK BX SO
1278390000	B2CF 3.50/32/180LR SN BK BX
2711090000	B2CF 3.50/28/180LR SN BK BX SO
1278400000	B2CF 3.50/34/180LR SN BK BX
2711100000	B2CF 3.50/32/180LR SN BK BX SO
1278410000	B2CF 3.50/36/180LR SN BK BX
2737220000	B2CF 3.50/36/180LR SN BK BX SO
2054530000	B2CF 3.50/12/180LRZE SN OR BX
2054540000	B2CF 3.50/16/180LRZE SN OR BX
2838900000	B2CF 3.50/34/180LR SN BK BX LRP
2054550000	B2CF 3.50/18/180LRZE SN OR BX
2873900000	B2CF 3.50/16/180LR SN BK BX SO
2054600000	B2CF 3.50/20/180LRZE SN OR BX
2054620000	B2CF 3.50/24/180LRZE SN OR BX
2912740000	B2CF 3.50/12/180LR SN BK BX CO
2054700000	B2CF 3.50/32/180LRZE SN OR BX
2912750000	B2CF 3.50/12/180LR SN BK BX CO
2054710000	B2CF 3.50/36/180LRZE SN OR BX
2086510000	B2CF 3.50/12/180LR SN BK BX LRP
3021490000	B2CF 3.50/10/180LRZE SN OR BX
2086520000	B2CF 3.50/24/180LR SN BK BX LRP
3021500000	B2CF 3.50/14/180LRZE SN OR BX
2086530000	B2CF 3.50/32/180LR SN BK BX LRP
3021600000	B2CF 3.50/22/180LRZE SN OR BX
2086540000	B2CF 3.50/34/180LR SN BK BX LRP
3129150000	B2CF 3.50/12/180 SN OR BX LRP
2086550000	B2CF 3.50/36/180LR SN BK BX LRP
1365820000	B2CF 3.50/24/180LH SN OR BX
1376050000	B2CF 3.50/36/180LH SN OR BX
1367040000	B2CF 3.50/36/180LH SN BK BX SO
1449730000	B2CF 3.50/30/180LH SN BK BX LRP
1372870000	B2CF 3.50/24/180LH SN BK BX

1460190000	B2CF 3.50/10/180LH SN BK BX SO
1375710000	B2CF 3.50/04/180LH SN BK BX
1460200000	B2CF 3.50/36/180LH SN BK BX SO
1375720000	B2CF 3.50/06/180LH SN BK BX
2509650000	B2CF 3.50/36/180LH SN OR BX LRP
1375730000	B2CF 3.50/08/180LH SN BK BX
2558720000	B2CF 3.50/38/180LH SN OR BX
1375740000	B2CF 3.50/10/180LH SN BK BX
2558730000	B2CF 3.50/40/180LH SN OR BX
1375750000	B2CF 3.50/12/180LH SN BK BX
2558740000	B2CF 3.50/42/180LH SN OR BX
1375770000	B2CF 3.50/14/180LH SN BK BX
2558750000	B2CF 3.50/44/180LH SN OR BX
1375780000	B2CF 3.50/16/180LH SN BK BX
2558760000	B2CF 3.50/46/180LH SN OR BX
1375790000	B2CF 3.50/18/180LH SN BK BX
2558770000	B2CF 3.50/38/180LH SN BK BX
1375800000	B2CF 3.50/20/180LH SN BK BX
2558780000	B2CF 3.50/40/180LH SN BK BX
1375810000	B2CF 3.50/22/180LH SN BK BX
2558790000	B2CF 3.50/42/180LH SN BK BX
1375820000	B2CF 3.50/26/180LH SN BK BX
2558800000	B2CF 3.50/44/180LH SN BK BX
1375830000	B2CF 3.50/28/180LH SN BK BX
2558810000	B2CF 3.50/46/180LH SN BK BX
1375840000	B2CF 3.50/30/180LH SN BK BX
2710920000	B2CF 3.50/04/180LH SN BK BX SO
1375850000	B2CF 3.50/32/180LH SN BK BX
2710940000	B2CF 3.50/06/180LH SN BK BX SO
1375870000	B2CF 3.50/34/180LH SN BK BX
2710950000	B2CF 3.50/08/180LH SN BK BX SO
1375880000	B2CF 3.50/36/180LH SN BK BX
2710960000	B2CF 3.50/10/180LH SN BK BX SO
1375890000	B2CF 3.50/04/180LH SN OR BX
2710970000	B2CF 3.50/12/180LH SN BK BX SO
1375900000	B2CF 3.50/06/180LH SN OR BX
2710980000	B2CF 3.50/20/180LH SN BK BX SO
1375910000	B2CF 3.50/08/180LH SN OR BX
2710990000	B2CF 3.50/24/180LH SN BK BX SO
1375920000	B2CF 3.50/10/180LH SN OR BX
2711000000	B2CF 3.50/28/180LH SN BK BX SO
1375930000	B2CF 3.50/12/180LH SN OR BX
2711010000	B2CF 3.50/32/180LH SN BK BX SO
1375940000	B2CF 3.50/14/180LH SN OR BX
2711200000	B2CF 3.50/16/180LH SN BK BX SO
1375950000	B2CF 3.50/16/180LH SN OR BX
2711210000	B2CF 3.50/20/180LH SN BK BX SO

1375970000	B2CF 3.50/18/180LH SN OR BX
2711220000	B2CF 3.50/36/180LH SN BK BX SO
1375980000	B2CF 3.50/20/180LH SN OR BX
2970650000	B2CF 3.50/24/180LH SN DKGY BX SO
1375990000	B2CF 3.50/22/180LH SN OR BX
2970660000	B2CF 3.50/24/180LH SN BK BX SO
1376000000	B2CF 3.50/26/180LH SN OR BX
2978830000	B2CF 3.50/22/180LH SN BL BX LRP
1376010000	B2CF 3.50/28/180LH SN OR BX
2984840000	B2CF 3.50/18/180LH AU OR BX
1376020000	B2CF 3.50/30/180LH SN OR BX
2984850000	B2CF 3.50/32/180LH AU OR BX
1376030000	B2CF 3.50/32/180LH SN OR BX
3053690000	B2CF 3.50/24/180LH SN BK BX LRP
1376040000	B2CF 3.50/34/180LH SN OR BX
3053700000	B2CF 3.50/16/180LH SN BK BX LRP