

KOA's Passive Components for EV Charging Stations



KOA - Supplier of Passive Components for Charging Stations



KOA Corporation:

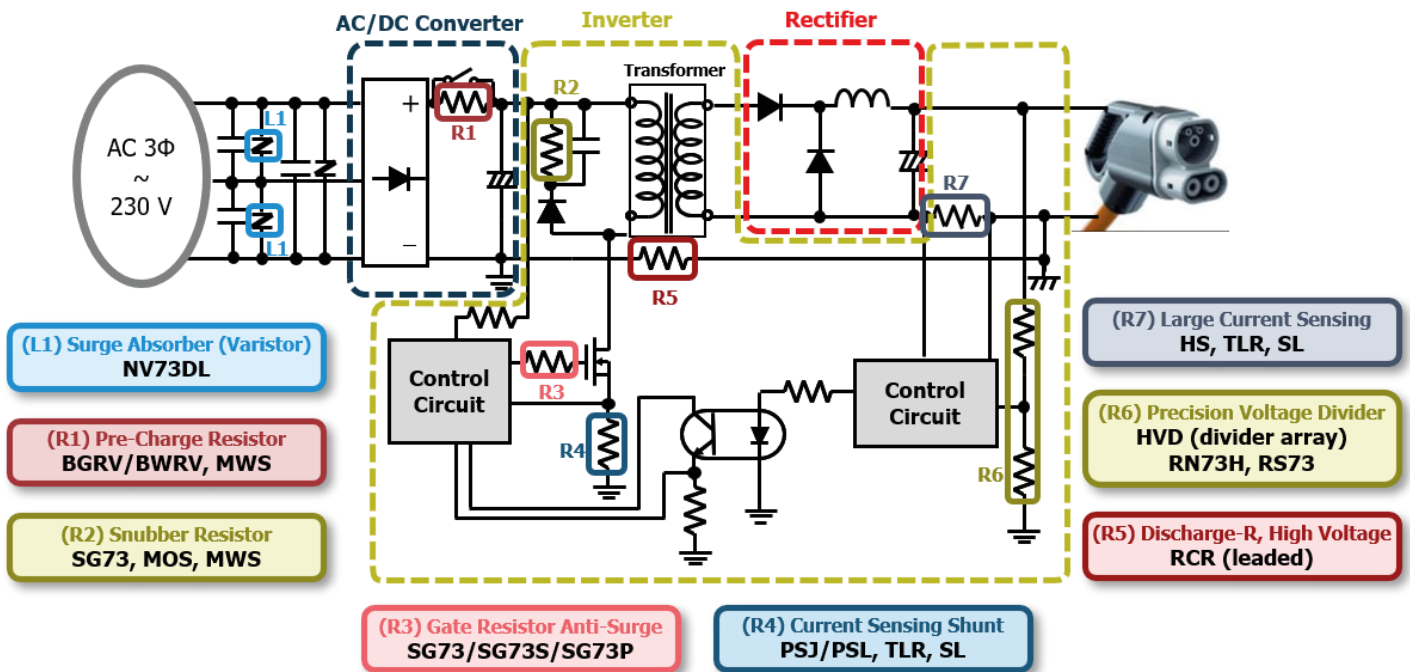
- Strong manufacturing presence in world resistor market
- Fixed resistors (thick- & thinfilm), resistor networks, temperature sensors, inductors, varistors and circuit protection components

KOA and the automotive market:

- IATF 16949 certification, AEC-Q200 qualified parts
- KOA is a trusted key supplier to automotive electronics companies worldwide
- Excellent quality & reliability of products

Increasing numbers of electric vehicles are being sold and need to be charged. With the increasing demand for quick charging stations, KOA can supply a wide range of high quality and high reliability parts into this growing market.

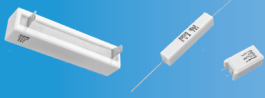
Charging Station Circuit



Specification given herein may be changed at any time without prior notice. Please confirm technical specifications before you order and/or use. Contact our sales representatives before you use the products for applications including automotive, medical equipment and aerospace equipment. Malfunction or failure of the products in such applications may cause loss of human life or serious damage. KOA's privacy policy in its newest form is available at <http://koeurope.de/privacy-policy/>

KOA's Passive Components for EV Charging Stations

BGRV/BWRV



Pre-Charge Leaded Ceramic Resistor

- Excellent inrush and overload performance
- 3 W to 40 W (60 W under development)

HS



Large Current Shunt

- 1000 A current sensing (50 $\mu\Omega$ shunt)
- High accuracy sensing with detection pins

HVD



Voltage Divider Network

- 1000 V high precision high voltage divider, ratio up to 1:1000
- Ultra precise due to low ratio tolerance and TCR

MOS(X)



Metal Oxide Power Type Resistor

- Small size power resistor up to 5W
- Excellent pulse characteristics

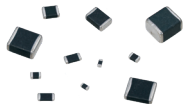
MWS



Molded Wirewound SMD Resistor

- 5 W SMD wirewound resistor with 2 resistors in one package
- Excellent pulse and ESD stability

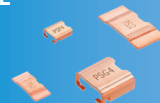
NV73D



Multilayer Metal Oxide Varistor

- Small leakage current and clamping voltage ratio
- Large maximum surge energy

PSJ/PSL



High Current Power Shunt

- Current ratings up to 244 A (0.2 m Ω)
- Solid metal alloy with copper terminations

RCR



High Voltage Anti Surge Resistor

- High working voltages up to 5 kV and anti surge up to 10 kV
- Power ratings from 0.25 W to 3 W

RN73H



Ultra High Precision Thin Film Resistor

- Excellent precision and long term stability
- Exceptional moisture resistance and high heat resistance

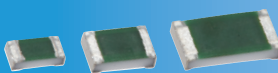
RS73



High Precision Thick Film Resistor

- Best precision and long term stability in thick film technology
- Excellent ESD performance

SG73/P/S



Anti Surge/Pulse Thick Film Resistor

- Highest pulse and ESD stability
- High precision $\pm 0.5\%$ & $\pm 0.25\%$ possible

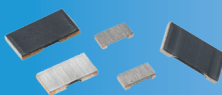
SL



Low Profile Molded Shunt

- Up to 7 W power rating with resistance values starting from 3 m Ω
- Superior temperature cycling stability

TLR



Low Inductivity Shunt

- Ultra low inductance shunt with low profile
- Ratings up to 5 W between 0.5 m Ω and 20 m Ω

Specification given herein may be changed at any time without prior notice. Please confirm technical specifications before you order and/or use. Contact our sales representatives before you use the products for applications including automotive, medical equipment and aerospace equipment. Malfunction or failure of the products in such applications may cause loss of human life or serious damage. KOA's privacy policy in its newest form is available at <http://koeurope.de/privacy-policy/>