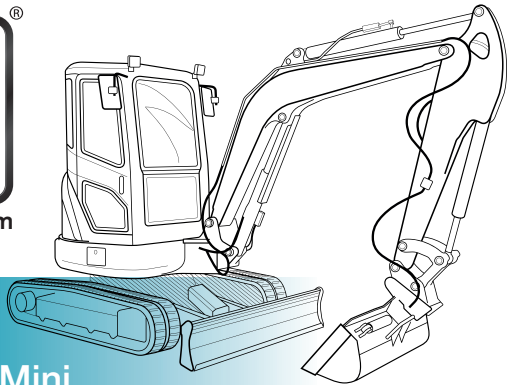


# Littelfuse Commercial Vehicle Products (CVP)



## Electric Mini Excavator 48-96V

## Why Littelfuse

Littelfuse is the global leader in circuit protection solutions with the broadest spectrum of electrical power technologies. Our Commercial Vehicle Products portfolio provides a total solution to protect, control and distribute vehicle electrical power.

For decades, we have helped OEMs, engineers and end-users select the right product for their applications.

We offer an extensive selection of circuit protection technologies for Construction applications.

## Commercial Vehicle Products



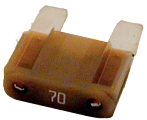
### 58V MINI® Fuse



The 58V MINI® blade fuse has a nominal rating of 42V and fits into standard MINI® sockets. Same time-current characteristic as the 32V MINI® fuse. Rejection feature prevents interchangeability with non-compliant 14V fuses. 2A–30A.

- Voltage rating: 58VDC
- Interrupting rating: 1000A at 58VDC
- Low amp circuit protection

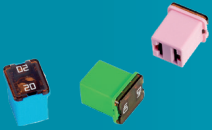
### 58V MAXI® Fuse



The 58V MAXI® blade fuse is for use in 42V systems. “Diffusion Pill Technology” provides predictable time delay characteristics and low heat dissipation. Rejection feature prevents fuses with lower voltage from being inserted into the circuit. 20A–80A.

- Voltage rating: 58VDC
- Interrupting rating: 1000A at 58VDC
- Mid range current circuit protection

### 58V LP J-CASE® Fuse



The 58V Low Profile JCASE® cartridge fuse provides both increased time delay and low voltage drop to protect high-current circuits. The LP JCASE® fuse has a lower height than the standard JCASE®. 20A–60A.

- Voltage rating: 58VDC
- Interrupting rating: 1000A at 58VDC

### 70V MIDI® Fuse



The 70V MIDI® High Performance fuse provides circuit protection up to 200A with “Diffusion Pill Technology” and features 1MΩ Open State Resistance after fuse opening to guarantee safe interruption at any voltage up to 70V.

- Voltage rating: 70VDC
- Interrupting rating: 2500A at 70VDC
- Mid to high amp circuit protection

### 70/120V MEGA® Fuse



70V and 120V MEGA® High Performance bolt-down fuses are ideal for battery and alternator connections as well as heavy gauge cables requiring high-current circuit protection. Up to 500A with “Diffusion Pill Technology”.

- Voltage rating: 120VDC
- Interrupting rating: 2500A at 120VDC
- High amp circuit protection

# Littelfuse Commercial Vehicle Products (CVP)

## 80V M10 Z-CASE® Fuse



The 80V ZCASE® M10 fuse (70A to 600A) is designed for mounting on a single M10 stud and can be used for full wire protection until 250A. Higher amperages are often used for starter protection in construction equipment and material handling applications.

- Voltage rating: 32VDC
- Interrupting rating: 2000A at 32VDC
- Mid to high amp circuit protection

## In-Line J-CASE® Fuse Holder



The 58V In-Line JCASE® FHC Series fuse holder is ideal for applications with limited space. Available with or without a built-in mounting bracket. Optional cover offers splash protection. For 20–60A JCASE® fuses.

- Available fuse rating: 25A–60A
- Max voltage: 58V
- Medium amp circuit protection for 12V, 24V & 48V loads

## Sealed in-Line Mini® Fuse Holder



The 32V Sealed In-Line MINI® fuse holder is designed for potentially wet or dirty environments. The sealed cap offers dust and water resistance to IP67. Dual 8" red GXL wire leads. For 20–30A MINI® fuses.

- Voltage Rating: 32VDC
- Available Fuse Rating: 1A–30A
- Low amp circuit protection for 12V, 24V & 48V loads

## In-Line MAXI® Fuse Holder



The 32V MAXI® MAH Series in-line fuse holder has a tethered protective cover and a center hole in the body for easy bulkhead mounting. Includes 5" or 5.9" leads. For up to 60A MAXI® fuses.

- Voltage rating: 32VDC
- Current rating: 60A
- Medium amp circuit protection for 12V, 24V & 48V loads

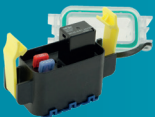
## Flex MEGA® Fuse Holder



The 32V MEGA® Flex Series fuse holder has a flexible cover to accommodate large wire sizes and ring terminal stack up. A dovetail feature lets you use multiple fuse holders to create a power distribution block. For up to 500A MEGA® fuses.

- Voltage rating: 32VDC
- Current rating: 500A
- High amp circuit protection for 12V, 24V & 48V loads

## Hard-Wired Box HWB 6, 12, 18, 60



HWB6, HWB12, HWB18, and HWB60 hard-wired boxes are IP67 sealed power distribution modules for MINI® (280 style) circuit protection components. Eliminating internal bussing allows customization of circuitry.

- Max fuse rating: 30A per circuit
- Max continuous current: 130A
- Low amp power distribution for 12V, 24V & 48V loads

## MDB5 MIDI® & MEGA® Power Distribution



The MDB5 Series sealed high-current power distribution box is IP67/69K rated and holds 5 MEGA® or MIDI® bolt-down fuses. Available for standard 32V and 70V (48V applications) fuses. High continuous current capacity of 400A.

- Voltage Rating: 70V
- Fuse Rating Range: 30A–500A
- High amp power distribution for 12V, 24V & 48V loads

## FHZ Z-CASE® Holders



ZCASE® FHZ Series 5-stud and 7-stud fuse holders are designed for primary high-current power distribution. Common bussed power and configurable studs (M6, M8, or M10). Dust cover protects ZCASE® fuses up to 600A.

- Amperage: 400A continuous
- Available fuse rating: 40A–600A
- Mid to high amp power distribution for 12V & 24V

## DCNEV250 DC Contactor



High current and high voltage DC contactor relays for electric vehicle applications such as charging station, battery power supply, DC power control, circuit protection, and other switch controls.

- Voltage rating: 900V
- Amperage: 250A continuous carry